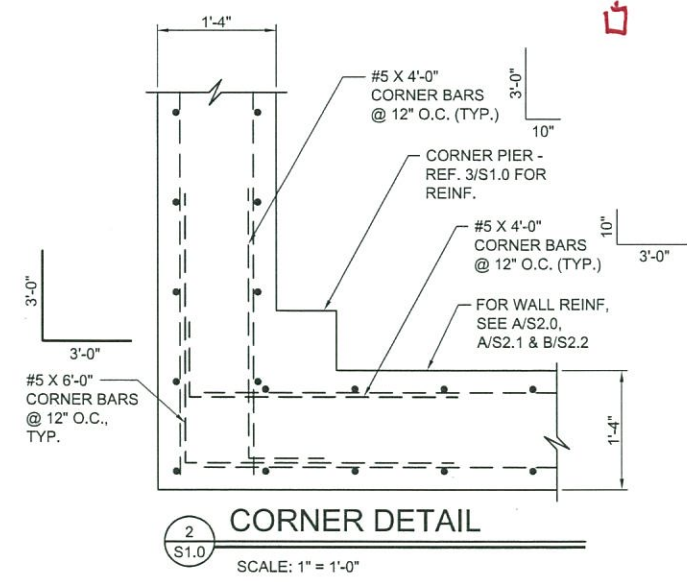
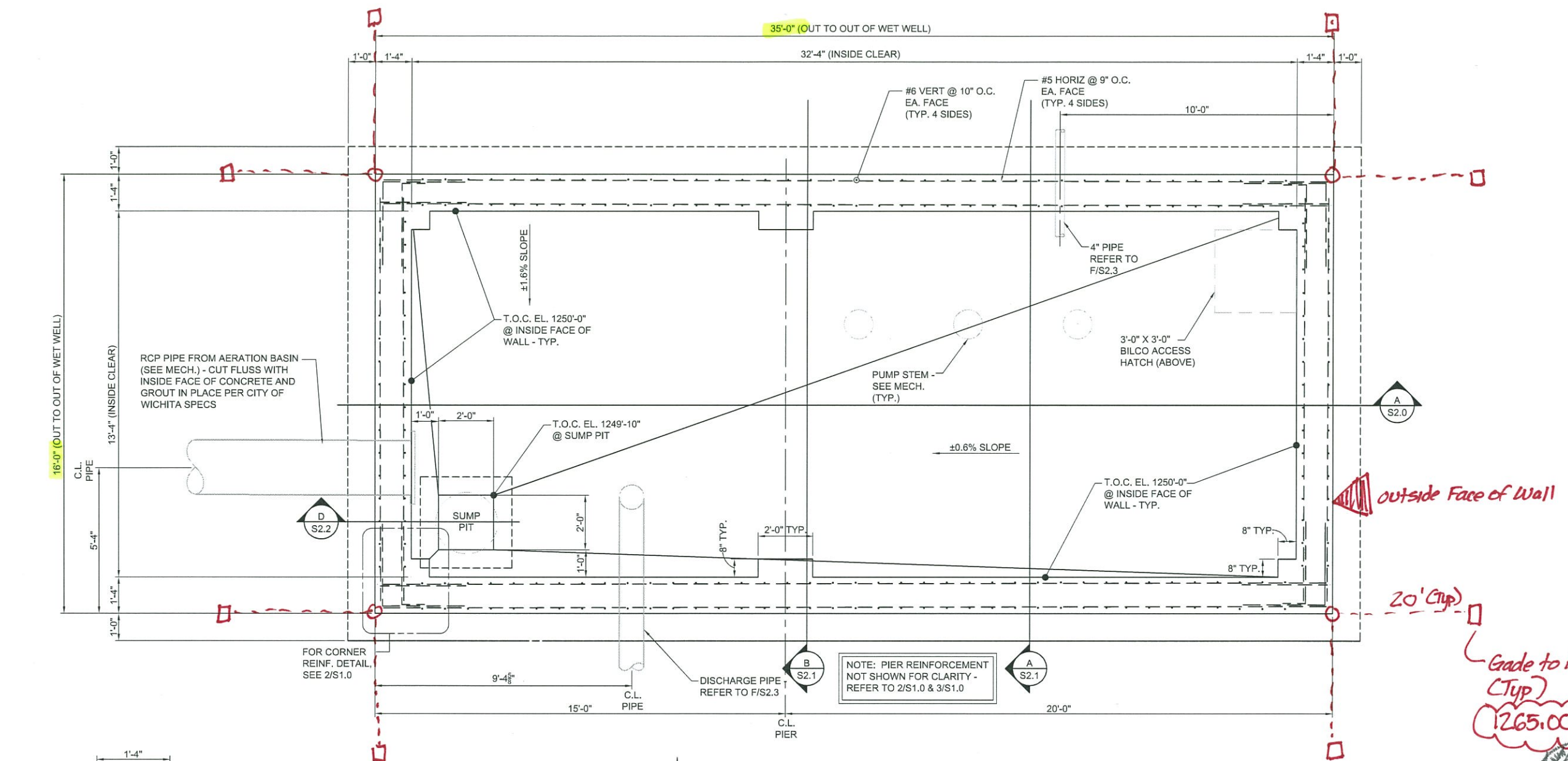


PLOTTED: Friday, April 22, 2016 @ 08:54AM

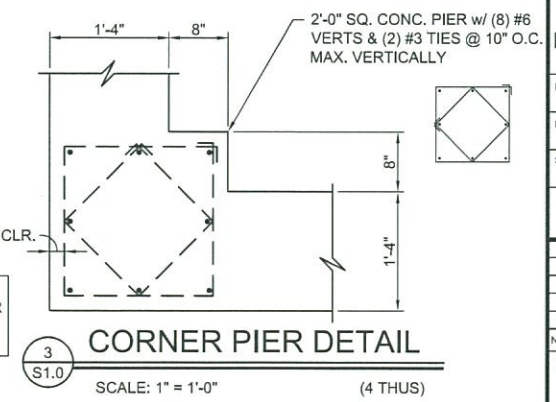
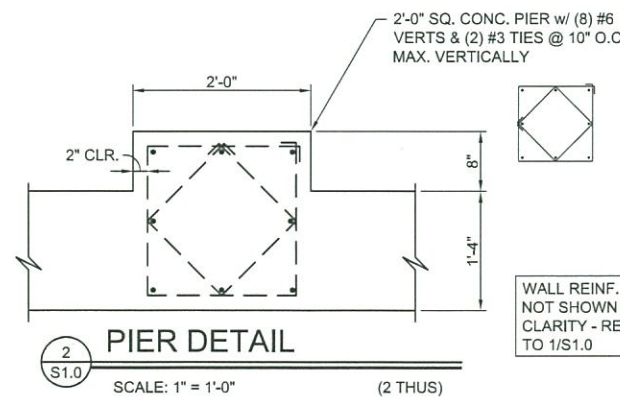
J:\PROJECTS\2016\160100022_COW_REUSE_WATER_SUPPLY_SYSTEM_156x23_CAD\B15106_STRUCT\WGS\FOUND1.DWG



CITY OF WICHITA, KANSAS
RE-USE WATER PUMP STATION
 TO SERVE SPIRIT AEROSYSTEMS



WET WELL FOUNDATION PLAN
 1/S1.0 SCALE: 1/2" = 1'-0"



©2016 MKEC Engineering All Rights Reserved www.mkec.com
 These drawings and their contents, including but not limited to, all concepts, designs, & ideas are the exclusive property of MKEC Engineering (MKEC), and may not be used or reproduced in any way without the express consent of MKEC.

FOUNDATION PLAN - WET WELL	
PROJECT NO.	468-85112
DATE	04/18/16
SCALE	AS NOTED
DESIGNED	DRAWN
SK	CAM
CHECKED	AR
NO.	REVISION
0	ISSUED FOR CONSTRUCTION 04/18/16
NO.	REVISION
NO.	DATE
SHEET NO. 1/S1.0	