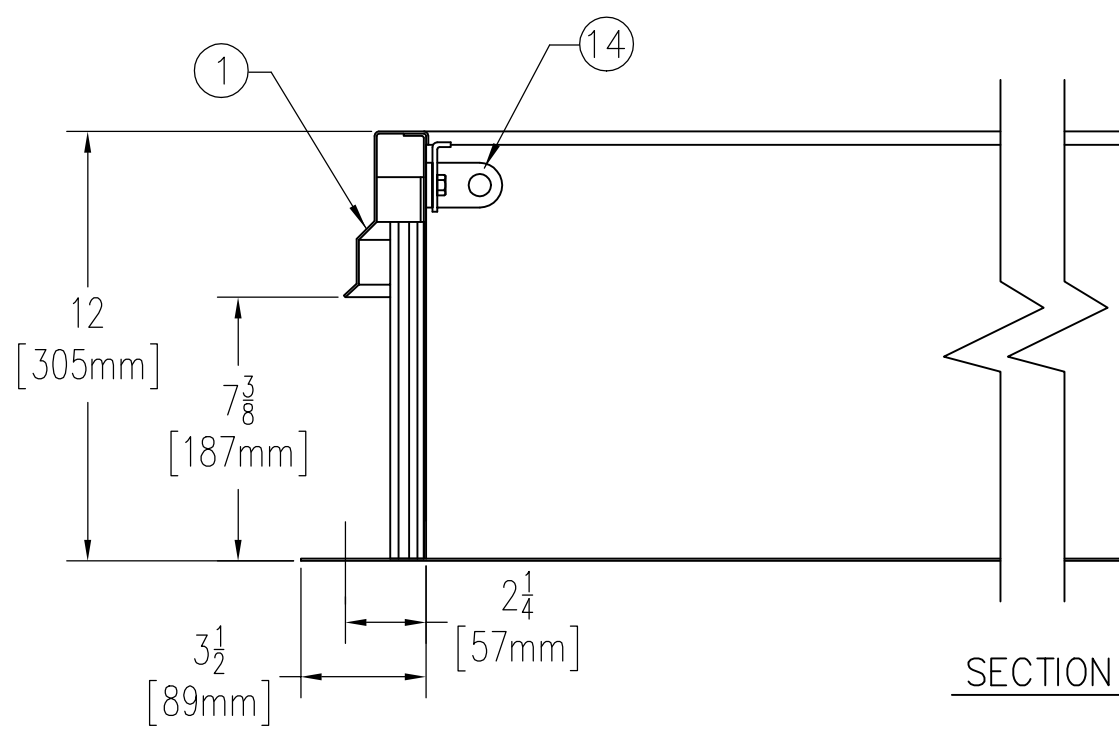
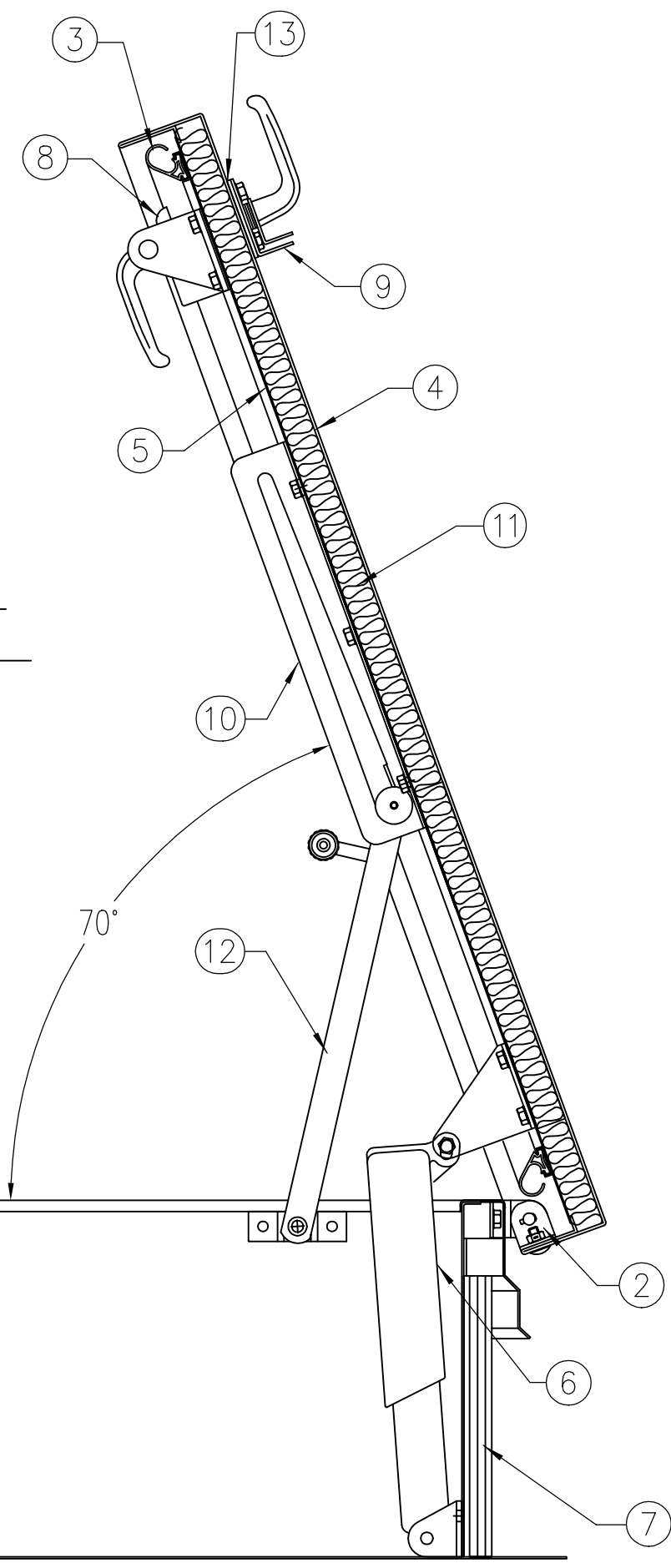


ANCHOR HOLE LAYOUT



SECTION

**SPECIFICATIONS**

1. Frame w/ capflashing (corners full welded)
  - S-20 - 14 GAUGE P.B. GALV. STEEL
  - S-40 - 14 GAUGE P.B. GALV. STEEL
  - S-50 - 11 GAUGE ALUMINUM
  - S-90 - 14 GAUGE TYPE 304 STAINLESS STEEL
2. Pintle hinge
3. Gasket (all around cover)
4. Cover gauge
  - S-20 - 14 GAUGE P.B. GALV. STEEL
  - S-40 - 11 GAUGE ALUMINUM
  - S-50 - 11 GAUGE ALUMINUM
  - S-90 - 14 GAUGE TYPE 304 STAINLESS STEEL
5. Cover Liner
  - S-20 - 22 GAUGE P.B. GALV. STEEL
  - S-40 - 18 GAUGE ALUMINUM
  - S-50 - 18 GAUGE ALUMINUM
  - S-90 - 22 GAUGE TYPE 304 STAINLESS STEEL
6. Lifting mechanism with reinforced composite tubes and electrocoated compression springs
7. 1" rigid fiberboard insulation
8. Slam latch
9. Inside and outside handles w/padlock hasps
10. Arm guide bracket
11. 1" thick fiberglass cover insulation
12. Hold open arm with nylon roller and red vinyl grip
13. Neoprene gasket
14. Lock strike & padlock hasp
15. Posi-Flash® flashing system

SHOP FINISH:  
 STEEL: RED OXIDE PRIMER  
 ALUMINUM: MILL FINISH  
 HARDWARE: ZINC PLATED & CHROMATE SEALED  
(unless otherwise specified)  
 STAINLESS STEEL: SANDBLAST FINISH  
 TYPE 316 S/S HARDWARE

THIS PRODUCT MAY BE INSTALLED ON EITHER A FLAT OR SLOPING ROOF. WHEN INSTALLED ON A SLOPE, THE HINGE SIDE MUST RUN PARALLEL WITH THE SLOPE. IF SLOPE EXCEEDS 30°, ADVISE FACTORY FOR MODIFICATION.

*Customer:*

---

*P.O. N°*

---

*Job:*

---

*Builder:*

---

*Architect:*

---

*Engineer:*

---

*Sales Rep.:*

---

Manufacturers of Doors for Special Services  
**Bilco**® THE BILCO COMPANY  
 New Haven, Connecticut 06505

**SINGLE LEAF ROOF SCUTTLE**  
**TYPE S SIZE 3'-0" x 2'-6"**  
WIDTH x LENGTH

QTY	TYPE	METAL
<input type="checkbox"/>	S-20	STEEL COVER/STEEL FRAME
<input type="checkbox"/>	S-40	ALUM. COVER/STEEL FRAME
<input type="checkbox"/>	S-50	ALUM. COVER/ALUM. FRAME
<input type="checkbox"/>	S-90	STLS STL COVER/STLS STL FRAME

<input checked="" type="checkbox"/> REVIEWED	<input type="checkbox"/> REVIEWED AS NOTED
<input type="checkbox"/> REJECTED	<input type="checkbox"/> REVISE & RESUBMIT

This review is only for general conformance with the design concept and the information given in the Construction Documents. Corrections or comments made on the shop drawings and submittals during this review do not relieve the contractor from compliance with the requirements of the plans and specifications and applicable laws, codes and regulations. Review of a specific item shall not include review of an assembly of which the item is a component. The contractor is responsible for: dimensions to be confirmed and correlated at the jobsite; information that pertains solely to the fabrication processes or to the means, methods, techniques, sequences and procedures of construction; coordination of the Work with that of all other trades and performing all Work in a safe and satisfactory manner.

**TEAM ARCHITECTURE** BY: dga  
 DATE: 06-03-16

P.O. Box 43 | Andover, Kansas 67002 | (316) 347-7755 | TEAMArchitecture-LLC.com  
 together everyone achieves more

THIS DRAWING IS THE PROPERTY OF THE BILCO COMPANY AND INCORPORATES INFORMATION WHICH IS PROPRIETARY. PUBLICATION AND/OR PUBLIC DISTRIBUTION IN WHOLE OR IN PART IS EXPRESSLY PROHIBITED WITHOUT THE PRIOR WRITTEN CONSENT OF THE BILCO COMPANY. THE INFORMATION CONTAINED HEREIN REMAINS THE PROPERTY OF THE BILCO COMPANY. ALL RIGHTS RESERVED.