



Submittal - 024 Pump Station

Legend SS Ball Valves (Submittal on the following page(s), this sheet is the response page)

Response:

MKEC ENGINEERING, INC.
411 North Webb Road - Wichita, KS 67206

Reviewed Reviewed As Noted
 Revise and Resubmit Rejected
 Not Required by the Contract Documents

Reviewed for conformance with the design concept of the project and compliance with the information given in the contract documents. Contractor is responsible for: dimensions to be confirmed and correlated at the job site; information that pertains solely to the fabrication process or to techniques of construction; and coordination of work of all other trades. If "Resubmit" or "Rejected" are not checked resubmission is neither desired or required.

By: *B. J. Shup* Date: *6-29-16*



SUBMITTAL SHEET

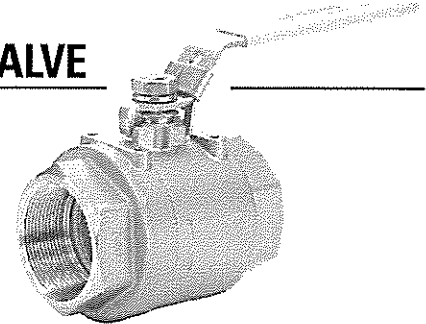
JOB NAME		ITEM TAG	
JOB LOCATION		PART NUMBER	
CONTRACTOR	DATE		
ENGINEER APPROVAL	DATE		

TWO-PIECE FULL PORT STAINLESS STEEL BALL VALVE

T-712

Heavy-duty two-piece investment cast body design
 Bottom-loaded blowout-proof stem
 Equipped with a latch-lock handle
 Ideal for commercial and industrial applications
 Integral, tapped mounting pad for actuation or panel attachment
 Sizes 2-1/2" to 4" are equipped with dual mounting pads
 Available in sizes: 1/4" to 4"

- Conforms to Federal Specification WW-V-35C, Type II, Composition: SS, Style: 3
- Conforms to MSS Standard Practice 110
- Threaded end connections comply with ANSI/ASME B1.20.1



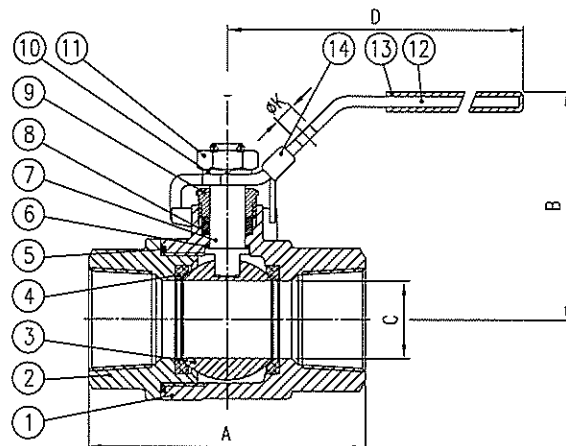
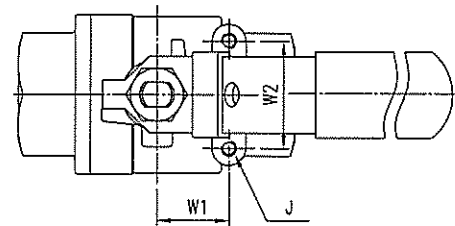
• Manufactured in an ISO 9002 accredited facility

Working Pressure, Non-Shock (PSI)
 Cold working pressure (CWP): 1000 PSI
 Saturated steam (WSP): 150 PSI

MATERIAL SPECIFICATION

PART	MATERIAL	SPECIFICATION
1 Body	Investment cast stainless steel	ASTM A351 CF8M
2 End adapter	Investment cast stainless steel	ASTM A351 CF8M
3 Ball	Stainless steel	1/4" & 3/8": ASTM A276 316
	Investment cast stainless steel	1/2" - 4": ASTM A351 CF8M
4 Seats (2)	PTFE	DuPont Teflon*
5 End adapter seal	PTFE	DuPont Teflon*
6 Thrust washer	PTFE	DuPont Teflon*
7 Stem	Stainless steel	ASTM A276 316
8 Stem packing (dual-ring)	PTFE	DuPont Teflon*
9 Packing nut	Stainless steel	AISI 304
10 Split (lock) washer	Stainless steel	AISI 304
11 Handle nut	Stainless steel	AISI 304
12 Handle	Stainless steel	AISI 304
13 Handle sleeve	Vinyl	Commercial grade
14 Latch lock	Stainless steel	AISI 304

*Teflon is a registered trademark of DuPont



DIMENSIONS

Size	A	B	C	D	J	K	W1	W2
1/4"	2.17	1.97	0.45	3.94	10-24 UNC screw thread	0.20	0.50	1.12
3/8"	2.17	1.97	0.49	3.94	10-24 UNC screw thread	0.20	0.50	1.12
1/2"	2.56	2.36	0.59	5.12	10-24 UNC screw thread	0.30	0.50	1.12
3/4"	2.94	2.52	0.79	5.12	10-24 UNC screw thread	0.30	0.86	1.38
1"	3.46	2.80	0.98	6.50	10-24 UNC screw thread	0.30	0.88	1.38
1-1/4"	4.02	3.07	1.26	6.50	1/4"-20 UNC screw thread	0.30	1.00	1.50
1-1/2"	4.33	3.39	1.50	7.48	1/4"-20 UNC screw thread	0.30	1.00	1.50
2"	4.92	3.74	1.97	7.48	1/4"-20 UNC screw thread	0.30	1.00	1.50
2-1/2"	6.31	5.14	2.54	9.88	1/4"-20 UNC screw thread**	0.40	1.38	2.18
3"	6.94	5.64	3.10	10.25	1/4"-20 UNC screw thread**	0.40	1.38	2.18
4"	9.50	6.81	3.88	13.18	1/4"-20 UNC screw thread**	0.40	1.96	2.46

** Sizes 2-1/2" to 4" are equipped with dual mounting pads

**Pictured
T-712
Cut-away**

304SS Stainless Steel Nipples and Ball Valves for connections to Bleed Rings for blow-off