



Submittal - 024 Pump Station

McDonald Hinged Saddles 3891 (Submittal on the following page(s), this sheet is the response page)

Response:

MKEC ENGINEERING, INC.	
411 North Webb Road - Wichita, KS 67206	
<input checked="" type="checkbox"/> Reviewed	<input type="checkbox"/> Reviewed As Noted
<input type="checkbox"/> Revise and Resubmit	<input type="checkbox"/> Rejected
<input type="checkbox"/> Not Required by the Contract Documents	
Reviewed for conformance with the design concept of the project and compliance with the information given in the contract documents. Contractor is responsible for dimensions to be confirmed and correlated at the job site, information that pertains solely to the fabrication process or to techniques of construction, and coordination of work of all other trades. If "Resubmit" or "Rejected" are not checked resubmission is neither desired or required.	
By <i>Billy Spruel</i>	Date <i>6-28-16</i>



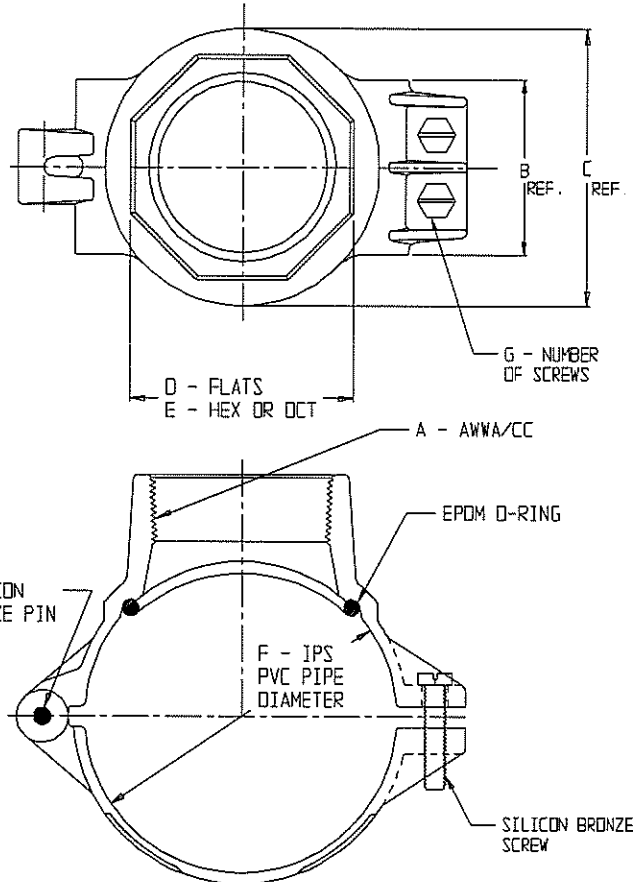
SUBMITTAL DATA SHEET

Hinged Saddle - 3891

IPS PVC x AWWA/CC



MODEL	SIZE	A	B	C	D	E	F	G
3891	2 X 3/4	3/4	2.00	2.20	1.47	HEX	2.375	1
3891	2 X 1	1	2.00	2.20	1.69	HEX	2.375	1
3891	2 1/2 X 3/4	3/4	2.00	2.56	1.69	HEX	2.875	1
3891	2 1/2 X 1	1	2.00	2.56	1.69	HEX	2.875	1
3891	3 X 3/4	3/4	2.00	2.26	1.47	HEX	3.500	1
3891	3 X 1	1	2.00	2.56	1.69	HEX	3.500	1
3891	3 X 1 1/2	1 1/2	2.50	3.72	2.82	OCT	3.500	2
3891	4 X 3/4	3/4	2.00	2.56	1.69	HEX	4.500	1
3891	4 X 1	1	2.00	2.56	1.69	HEX	4.500	1
3891	4 X 1 1/2	1 1/2	2.50	3.96	3.10	OCT	4.500	2
3891	4 X 2	2	2.50	3.96	3.10	OCT	4.500	2
3891	6 X 3/4	3/4	2.00	2.32	1.47	HEX	6.625	1
3891	6 X 1	1	2.00	2.56	1.69	HEX	6.625	1
3891	6 X 1 1/2	1 1/2	2.50	3.96	3.10	OCT	6.625	2
3891	6 X 2	2	2.50	3.96	3.10	OCT	6.625	2
3891	8 X 3/4	3/4	2.00	2.56	1.69	HEX	8.625	1
3891	8 X 1	1	2.00	2.56	1.69	HEX	8.625	1
3891	8 X 1 1/2	1 1/2	2.50	3.96	3.10	OCT	8.625	2
3891	8 X 2	2	2.50	3.96	3.10	OCT	8.625	2



SUBMITTAL INFORMATION

- Manufactured in compliance with ANSI/AWWA C800 (latest revision)
- Brass components conform to ASTM B62 and ASTM B584, UNS C83600 -85-5-5-5 (latest revision)
- Certified to NSF/ANSI 61
- Silicon Bronze hinge pin and bolt(s)
- EPDM o-ring
- Pipe and tap size, and thread type identified on saddle
- Outlet boss with large wrench flats
- Made in the United States of America

NO LEAD



A.Y. McDonald Mfg. CO.
P.O. Box 508
Dubuque, IA 52004-508

Toll Free: 1-800-292-2737
Fax: 1-800-832-9296
Hours: 7:00 a.m. - 5:00 p.m., CST

sales@aymcdonald.com
www.aymcdonald.com

A.Y. McDonald considers the information on this assembly drawing correct when published. Item and option availability, including specifications, are subject to change without notice.

Submitted by:

05-11