

The Bilco Company
P.O. Box 1203
New Haven, CT. 06505
(203) 934-6363, Fax (203) 535-1582
2016052501



July 08 2016

Attn: TYLER / RAY

WILDCAT CONSTRUCTION
PO BOX 9163
3219 W MAY
WICHITA KS 67213

Re: Your Order: 4549
Job : CITY OF WICHITA-WWTP #2

Thank you for your above order. In accordance with your instructions we are pleased to enclose 1 copy(ies) of shop details to submit for architect's approval and will hold up fabrication until approval to proceed is received. The fabrication time required will be 4 week(s) AFTER Bilco receives signed approval. Please send to cs@bilco.com

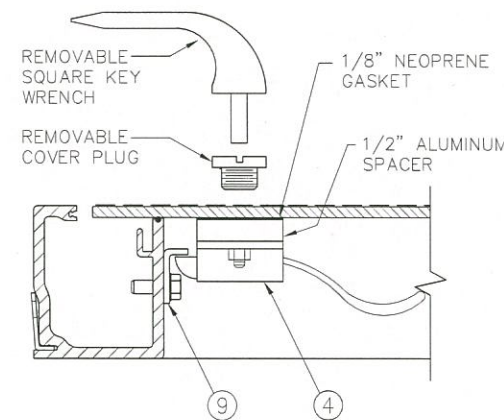
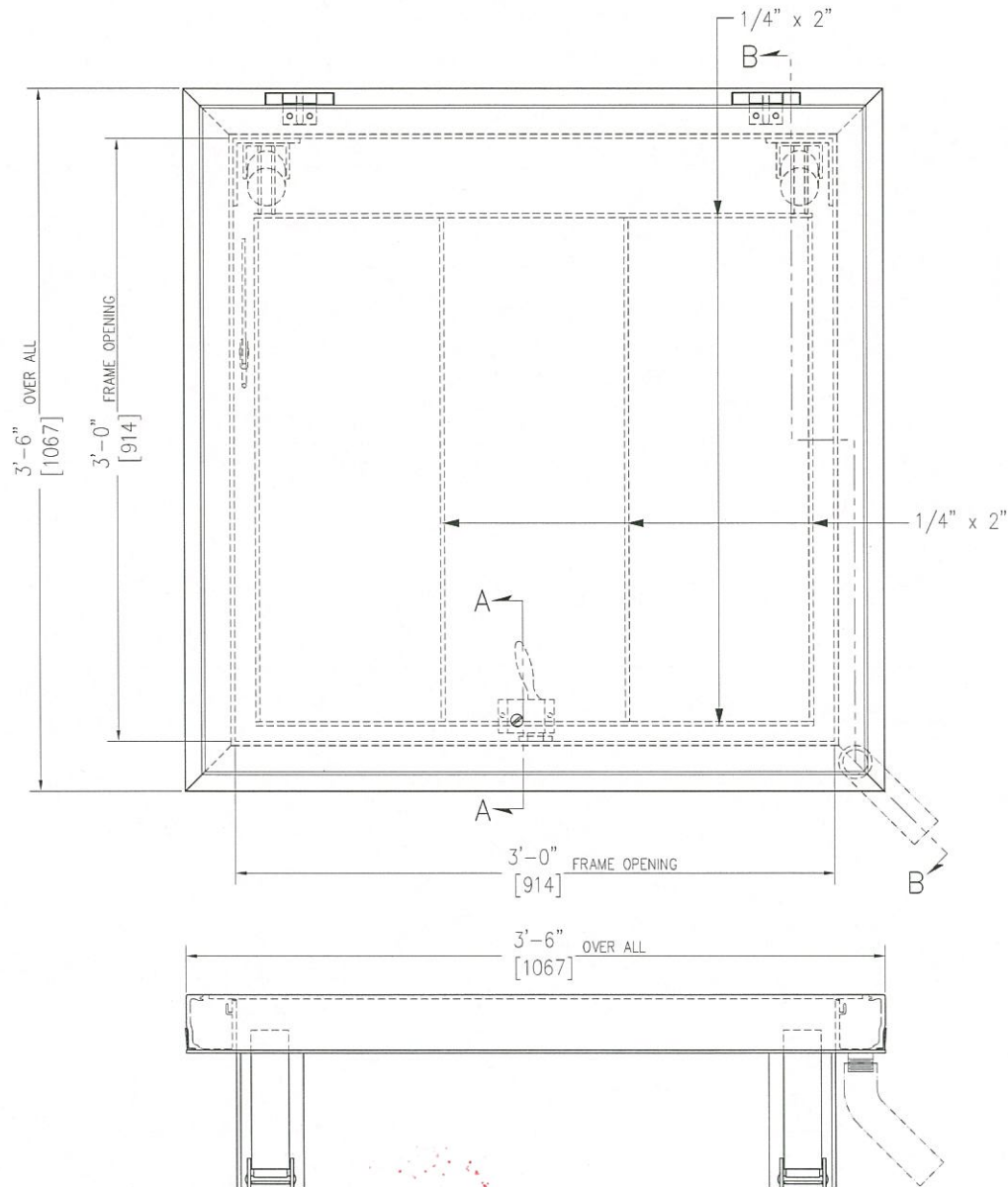
DRAWING NUMBER: J-18875 REV A SHEETS 1 & 2
EMAIL: TYLER.DEHN@WILDCAT.NET
RAY.NEWCOMER@MFGSALESREPS.COM

Cordially

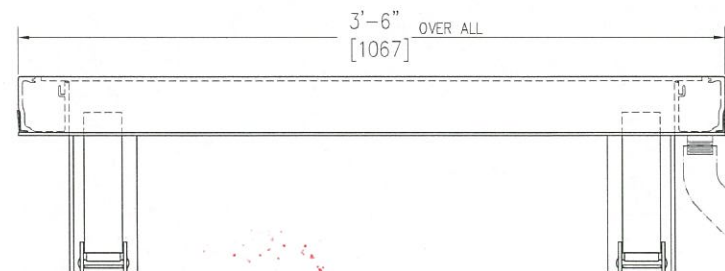
The Bilco Company

cc COMMERCIAL MANUFACTURER
REPRESENTATIVES, LLC
6709 W 119TH STE #515
OVERLAND PARK KS 66209

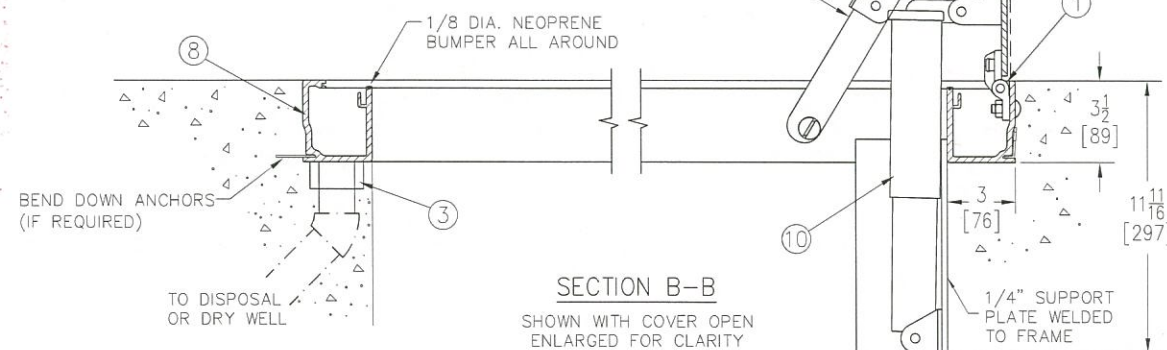
IMPORTANT NOTICE
APPROVED DRAWINGS MUST BE RECEIVED AT BILCO BEFORE
PRODUCTION CAN BEGIN. LEAD TIME AND SHIP DATES ARE BASED ON
THE DATE THAT APPROVED DRAWINGS ARE RECEIVED AT BILCO.
****AS PER BILCO POLICY PURCHASE ORDERS WILL NOT BE SIGNED AND RETURNED**
UNTIL APPROVAL DRAWINGS ARE RECEIVED BY BILCO.**



SECTION A-A
STANDARD SLAM LOCK



Frame areas that come in contact with concrete shall be coated with bituminous paint



SECTION B-B
SHOWN WITH COVER OPEN
ENLARGED FOR CLARITY

2 © 220

Sym	Revision	Date	By
A	New Release		

SPECIFICATIONS:

- ① Bilco heavy duty forged stainless steel hinges with stainless steel pins
- ② n/a
- ③ 1-1/2" drain coupling
- ④ Standard slam lock
- ⑤
- ⑥ Bilco automatic lock open arm
- ⑦ 1/4" aluminum diamond pattern plate cover
- ⑧ Bilco 1/4" aluminum channel frame with recessed anchors
- ⑨ Stainless steel lock strike
- ⑩ Stainless steel spring lifting mechanism

INSTALLER NOTES:

- A. Use caution. Cover is spring loaded. Do not remove safety shipping bolt until unit is to be installed and in normal horizontal operating position.
- B. Be sure unit is set on slight pitch toward drain corner.
- C. Before anchoring in place open and close door. Check to see that the door in the closed position rests on the frame all around. If not, shim under the frame at the proper corner.
- D. Do not reduce 1 1/2" drain pipe to dry well or disposal system.
- E. Bend down anchors if required

- ① UNIT(S) REQUIRED AS SHOWN (Aluminum Weldment) COVER REINF. FOR 300 Lbs. PER Sq. Ft.
- SHOP FINISH:
COVER: MILL FINISH
FRAME: MILL FINISH
HARDWARE: STAINLESS STEEL TYPE 316 (UNLESS OTHERWISE SPECIFIED)

Customer: WILDCAT CONSTRUCTION
PO BOX 9163
WICHITA KS 67213

P.O. N° 4549

Job: CITY OF WICHITA-WWTP #2

Builder:

Architect:

Engineer:

Sales Rep: COMMERCIAL MANUFACTURER REPRESENTATIVES, LLC
OVERLAND PARK KS 66209

Manufacturers of Doors for Special Services
Bilco THE BILCO COMPANY
New Haven, Connecticut 06505

TYPE "J" ALUMINUM SINGLE LEAF ACCESS
DOOR - SIZE [3'-0" x 3'-0"]
914 mm x 914 mm

Drawn By	Date	Drawing No.	Rev.
JLD	7-8-16	J-18875	A
648387	Scale: DO NOT SCALE	SHEET 1 OF 2	

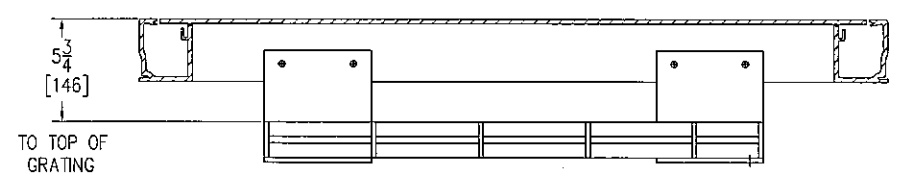
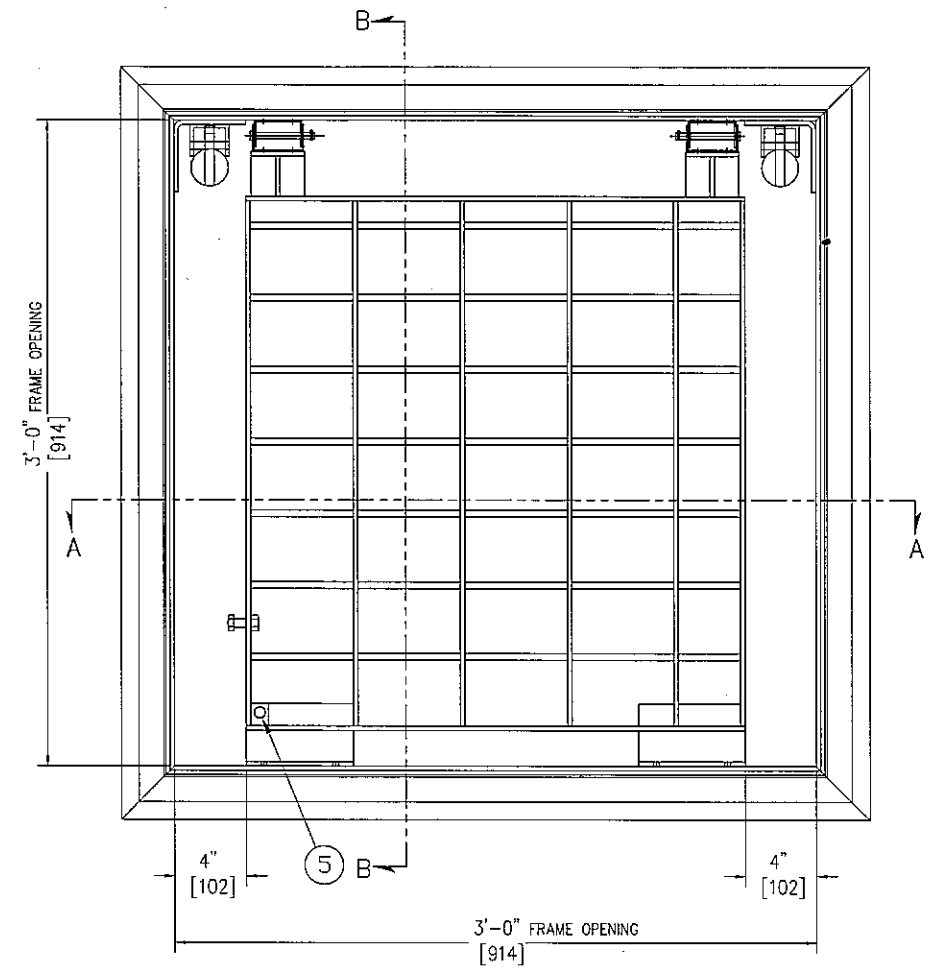
MKEC ENGINEERING, INC.
411 N. WEBB ROAD • WICHITA, KS 67206

Reviewed Revise and Resubmit
 Reviewed as Noted Rejected
 Not Required by the Contract Documents

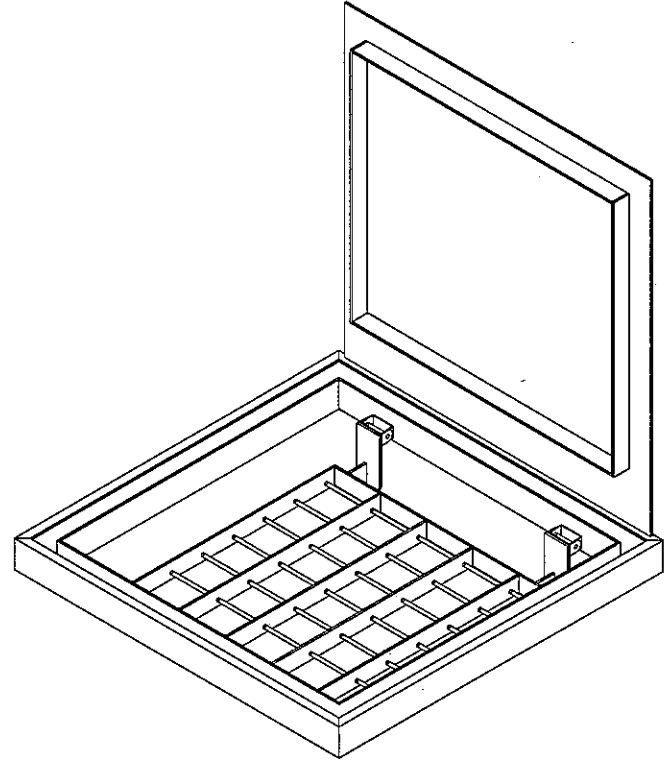
Reviewed for conformance with the design concept of the Project and compliance with the information given in the Contract Documents. Contractor is responsible for dimensions to be confirmed and correlated at the job site; for information that pertains solely to the fabrication process or to techniques of construction; and for coordination of the work of all trades.

BY SAC DATE 10/30/16

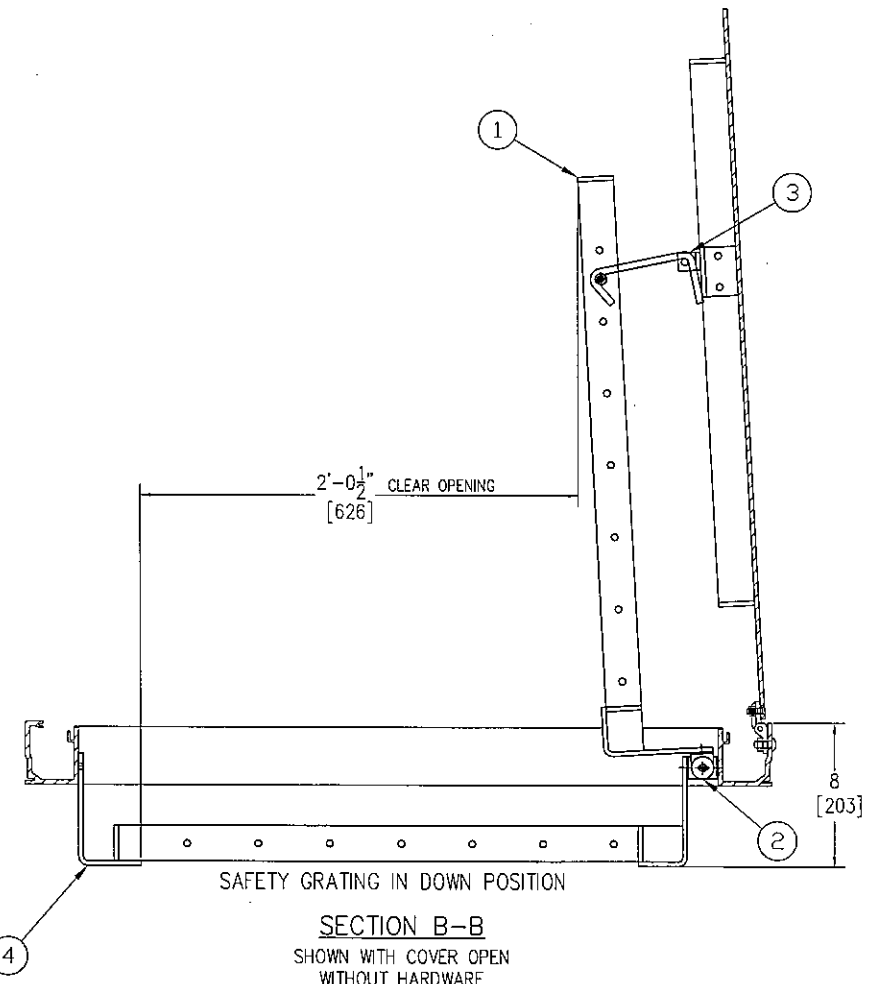
THIS DRAWING IS THE PROPERTY OF THE BILCO COMPANY AND INCORPORATES INFORMATION WHICH IS PROPRIETARY, PUBLICATION AND/OR PUBLIC DISTRIBUTION IN WHOLE OR IN PART IS EXPRESSLY PROHIBITED WITHOUT THE PRIOR WRITTEN CONSENT OF THE BILCO COMPANY. THE INFORMATION CONTAINED HEREIN REMAINS THE PROPERTY OF THE BILCO COMPANY. ALL RIGHTS RESERVED.



SECTION A-A
SHOWN WITHOUT COVER
& STANDARD HARDWARE



ISOMETRIC



SAFETY GRATING IN DOWN POSITION

SECTION B-B
SHOWN WITH COVER OPEN
WITHOUT HARDWARE

THIS DRAWING IS THE PROPERTY OF THE BILCO COMPANY AND INCORPORATES INFORMATION WHICH IS PROPRIETARY. PUBLICATION AND/OR PUBLIC DISTRIBUTION IN WHOLE OR IN PART IS EXPRESSLY PROHIBITED WITHOUT THE PRIOR WRITTEN CONSENT OF THE BILCO COMPANY. THE INFORMATION CONTAINED HEREIN REMAINS THE PROPERTY OF THE BILCO COMPANY. ALL RIGHTS RESERVED.

J-FP 10-01-12

THIS DRAWING IS FOR THE FALL PROTECTION GRATING, THE DOOR IS SHOWN FOR REFERENCE ONLY AND MAY NOT REFLECT ALL OPTIONS.

SYM.	REVISION	DATE	BY
A	NEW RELEASE		

SPECIFICATIONS:

- ① SAFETY GRATING - 2" ALUMINUM CONSTRUCTION
- ② HINGES
- ③ HOLD OPEN LATCH
- ④ SUPPORT ANGLE
- ⑤ PADLOCK LUG

NOTE: FALL PROTECTION SYSTEM COMPLIES WITH OSHA REGULATION 29 CFR 1910.23

SHOP FINISH

GRATING: POWDER COAT - SAFETY YELLOW
HARDWARE: STAINLESS STEEL TYPE 316
(UNLESS OTHERWISE SPECIFIED)

CUSTOMER: WILDCAT CONSTRUCTION
PO BOX 9163
WICHITA KS 67213

P.O. N° 4549

JOB: CITY OF WICHITA-WWTP #2

TAG:

SALES REP: COMMERCIAL MANUFACTURER REPRESENTATIVES, LLC
OVERLAND PARK KS 66209

Manufacturers of Doors for Special Services
Bilco® THE BILCO COMPANY
New Haven, Connecticut 06505

TYPE "J" ALUMINUM SINGLE LEAF ACCESS
DOOR - SIZE 3'-0" x 3'-0"
[914mm x 914mm]

DRAWN BY	DATE	DRAWING NO.	REV.
JLD	7-8-16	J-18875	A
648387	SCALE DO NOT SCALE	SHEET 2 OF 2	