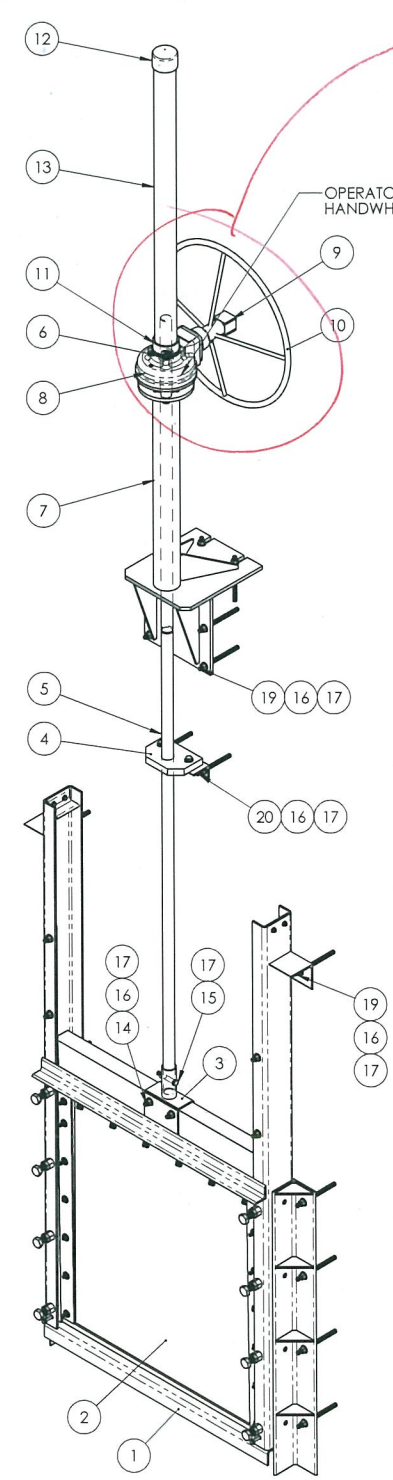
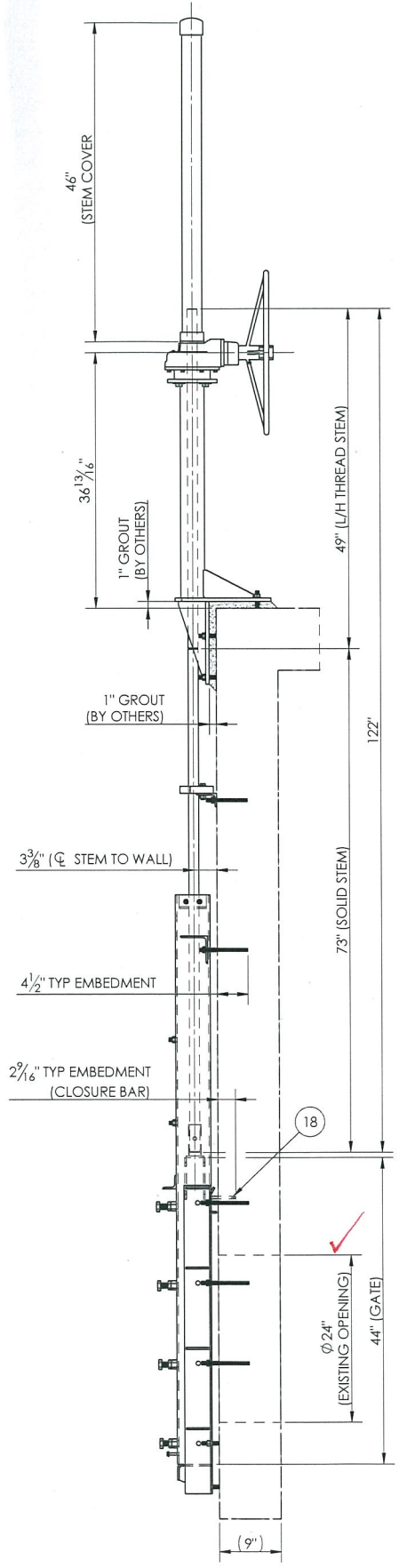
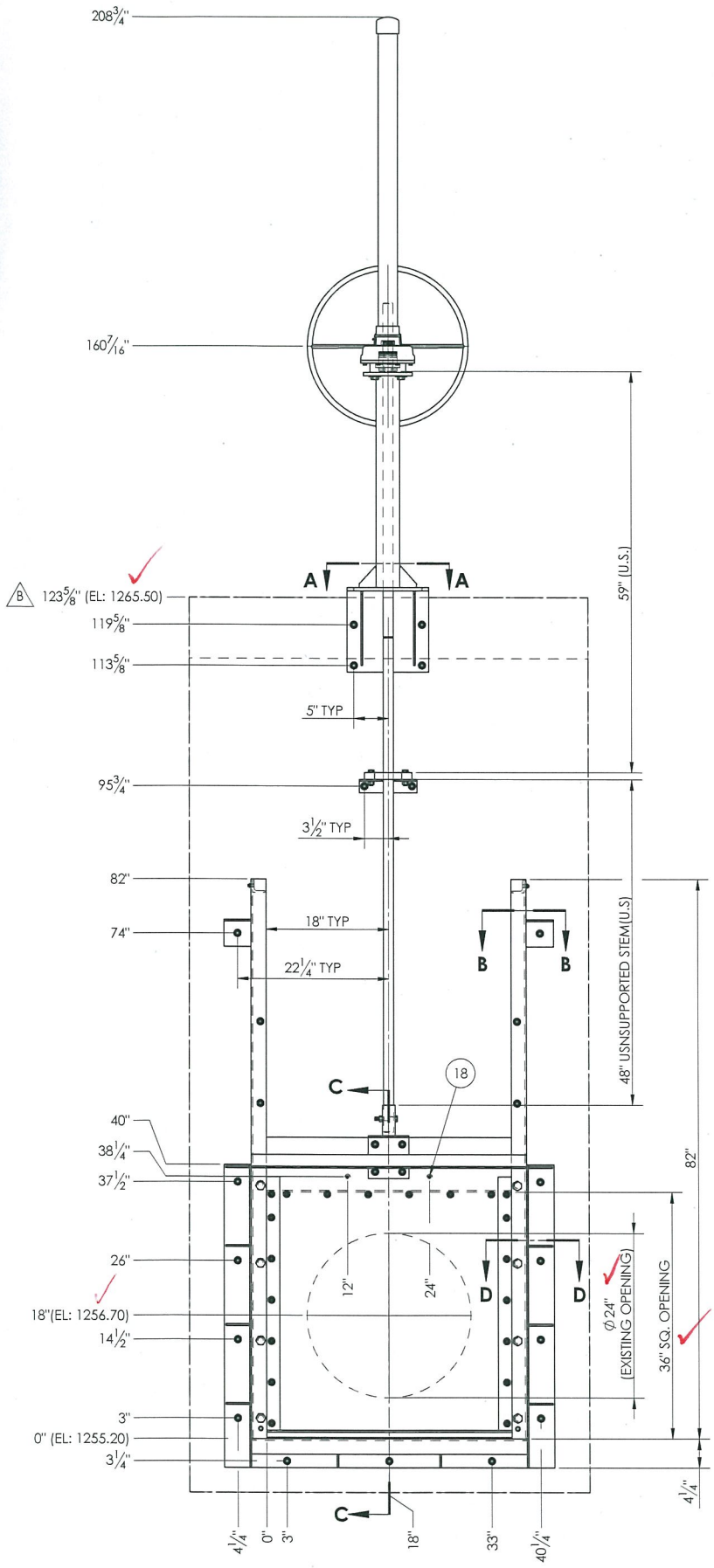


REVISIONS				
REV.	DESCRIPTION	NCR/ECO NO.	REVISED BY	DATE
A	INITIAL RELEASE		Z.MENLE	06/23/2016
B	GENERAL REVISION, REVISED DRAWING, REVISED T.O.W. ELEVATION FROM 1285.50' TO 1265.50', REVISED GATE THICKNESS FROM 3 1/2" TO 2 1/2", REVISED GUIDE FRAME CHANNEL ID WEB FROM 5 5/8" TO 4 5/8", REVISED HANDWHEEL SIZE FROM 32" TO 24", REVISED STEM TO REFLECT ELEVATION CHANGE, REVISED NOTE 7, FROM 30'-4" TO 10'-4"		Z.MENLE	7/11/2016



- NOTES:**
1. THE GATE COLOR IS GRAY.
 2. THE GATE MATERIAL IS COPOLYMER COMPOSITE WITH AN INTERNAL STEEL STRUCTURE.
 3. THE GUIDE FRAME IS 1/4" THICK FORMED AND WELDED T-304 S/S.
 4. ALL BOLTS, NUTS & WASHERS (EXCEPT THE SILICON-BRONZE ADJUSTING BOLTS) ARE T-304 S/S.
 5. PEDESTAL MATERIAL IS T-304 S/S.
 6. RESIN: ASHLAND HETRON 922 INF.
 7. MAXIMUM OPERATING HEAD FROM INVERT: SEATING 10'-4" ONLY.
 8. ANCHOR ADHESIVES BY OTHERS (HILTI HY-200 OR EQUIVALENT RECOMMENDED).

BOM TABLE					
ITEM NO.	QTY.	DESCRIPTION	LENGTH	MATERIAL	PART NUMBER
1	1	HDTS FRAME ASSEMBLY, 36" WD X 36" HI OPENING X 82" HI, SURFACE MOUNT			HDTS-01-3347-1-GF
2	1	HDTS GATE ASSEMBLY, 2 1/2" X 39 1/2" X 44"			HDTS-01-3347-1-GA
3	1	STEM BRACKET WELDMENT FOR 2 1/2" GATE, 1 1/2" STEM		T-304L S/S	1000-0225
4	1	STEM GUIDE ASSEMBLY, FOR 2 1/2" GATE, ø 1 1/2" STEM			1000-0907
5	1	STEM, ø 1 1/2" X 122" OVER-ALL LENGTH X 49" L/H THD		T-304L S/S	HDTS-01-3347-1-ST
6	1	1 1/2" LIMIT NUT ASSEMBLY, LH THREAD, 1/4P, 1/4L		BRASS	1000-0199
7	1	PEDESTAL, WALL/FLOOR MOUNTED, FA 14, 2 1/2" THK GATE		T-304 S/S	1000-1497
8	1	EXECCO GEARED LIFT IB5 (4 : 1 RATIO), ø 1 1/2" LH ACME THREAD			544-0026
9	1	2" SQ. DRIVE NUT ASSEMBLY		T-304 S/S	1000-0711
10	1	EXECCO 24" HANDWHEEL		A36	544-0027
11	1	SCH 40 PVC 2 1/2" NPT MALE THREADED-FEMALE SOCKET ADAPTER		PVC RIGID	522-0026
12	1	PIPE CAP, SOCKET, 2 1/2" ID SCH 40		PVC RIGID	522-0027
13	1	STEM COVER TUBE, 46" LG	46"	CLEAR PLASTIC	521-0011
14	4	HHCS, 1/2-13UNC X 4" LG		T-304 S/S	661-0022
15	1	HHCS, 1/2-13UNC X 3"		T-304 S/S	661-0098
16	25	FLAT WASHER, 1/2"		T-304 S/S	664-0021
17	26	NUT, HEX, 1/2-13UNC		T-304 S/S	663-0028
18	2	SLOTTED FLAT HEAD WEDGE ANCHOR, ø 3/8" X 4" LG		T-304 S/S	666-0020
19	19	ALL-THREAD ROD, 1/2-13UNC	7"	T-304 S/S	416-0008
20	2	ALL-THREAD ROD, 1/2-13UNC	6"	T-304 S/S	416-0008

PROJECT: CITY OF WICHITA RE-USE PUMP STATION WICHITA, KS USA CUSTOMER: MELLEN & ASSOCIATES REP: MELLEN & ASSOCIATES P.O. NO: 14929	 TUALATIN, OR. UNLESS OTHERWISE SPECIFIED, DIMENSIONS ARE IN FEET/INCHES TOLERANCES UNLESS OTHERWISE SPECIFIED: <table border="1"> <tr> <td>≤ 6'-0"</td> <td>± 1/16"</td> </tr> <tr> <td>> 6'-0" AND ≤ 25'-0"</td> <td>± 1/8"</td> </tr> <tr> <td>> 25'-0"</td> <td>± 1/2"</td> </tr> </table>	≤ 6'-0"	± 1/16"	> 6'-0" AND ≤ 25'-0"	± 1/8"	> 25'-0"	± 1/2"	PLASTI-FAB PART NUMBER: HDTS-01-3347-1 MATERIAL INFORMATION: SPECIAL FINISH REQUIREMENT:	TITLE: HDTS GATE & GUIDE ASSEMBLY, SURFACE MOUNT, 36" X 36" OPENING X 82" GUIDE HEIGHT LOCATION: SPR-G001
≤ 6'-0"	± 1/16"								
> 6'-0" AND ≤ 25'-0"	± 1/8"								
> 25'-0"	± 1/2"								
PROPRIETARY AND CONFIDENTIAL THE INFORMATION CONTAINED IN THIS DRAWING IS THE SOLE PROPERTY OF PLASTI-FAB. ANY REPRODUCTION IN PART OR AS A WHOLE WITHOUT THE WRITTEN PERMISSION OF PLASTI-FAB IS PROHIBITED.	NAME: Z.MENLE DATE: 6/23/2016 DRAWN BY: Z.MENLE CHECKED BY:	SIZE D DRAWING NO.: HDTS-01-3347-1 WEIGHT: 627 SCALE: 1:12 SHEET: 1 OF 20	REV. B						