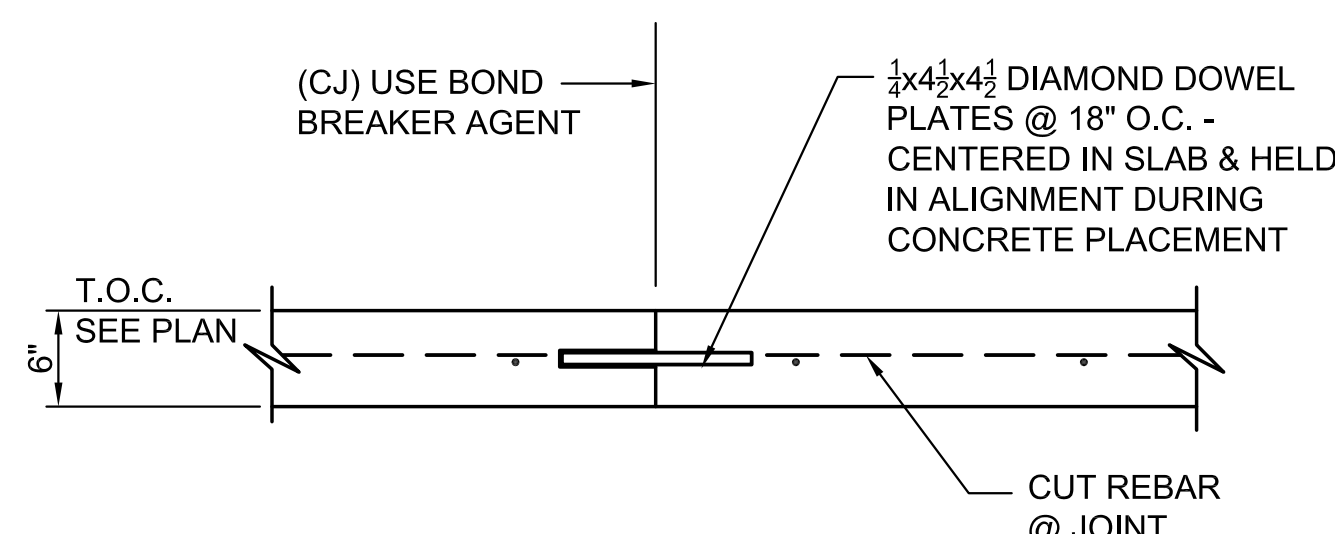


PLOTTED: Friday, April 22, 2016 @ 09:03AM

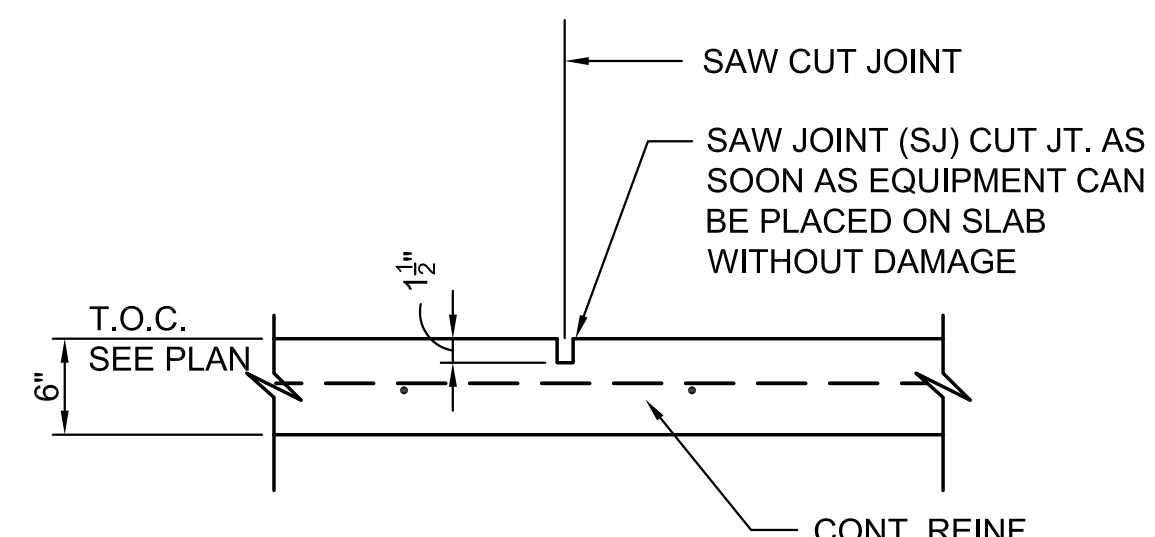
NOTE:
 SAW CUT JOINTS OR KEYED CONSTRUCTION JOINTS IN 6" SLABS ON GRADE SHALL BE SPACED TO DIVIDE THE SLAB INTO PANELS NOT TO EXCEED 225 SQUARE FEET. THE LONGER DIMENSION OF EACH PANEL SHALL NOT EXCEED THE SHORTER DIMENSIONS BY MORE THAN 20%. LINE UP w/ C.L. OF BUILDING WHERE POSSIBLE. CONTRACTOR SHALL SUBMIT JOINT LAYOUT TO ARCHITECT FOR APPROVAL. REFER TO DETAILS A/S1.1 & B/S1.1.

FOOTING SCHEDULE		
MARK	SIZE	REINF.
(A)	3'-6" SQ. X 1'-0" DP. MIN.	(4) #5 EA. WAY BOTT.

METAL BUILDING ANCHOR BOLT SCHEDULE		
SIZE	LENGTH	DIAGRAM
1/2" Ø	1'-0" (TACK WELD BOTT. NUT)	
3/8" Ø	1'-1 1/2" (TACK WELD BOTT. NUT)	



A S1.1
 TYP. DOWELED CONST. JT.
 SCALE: 1" = 1'-0" (6" SLAB)



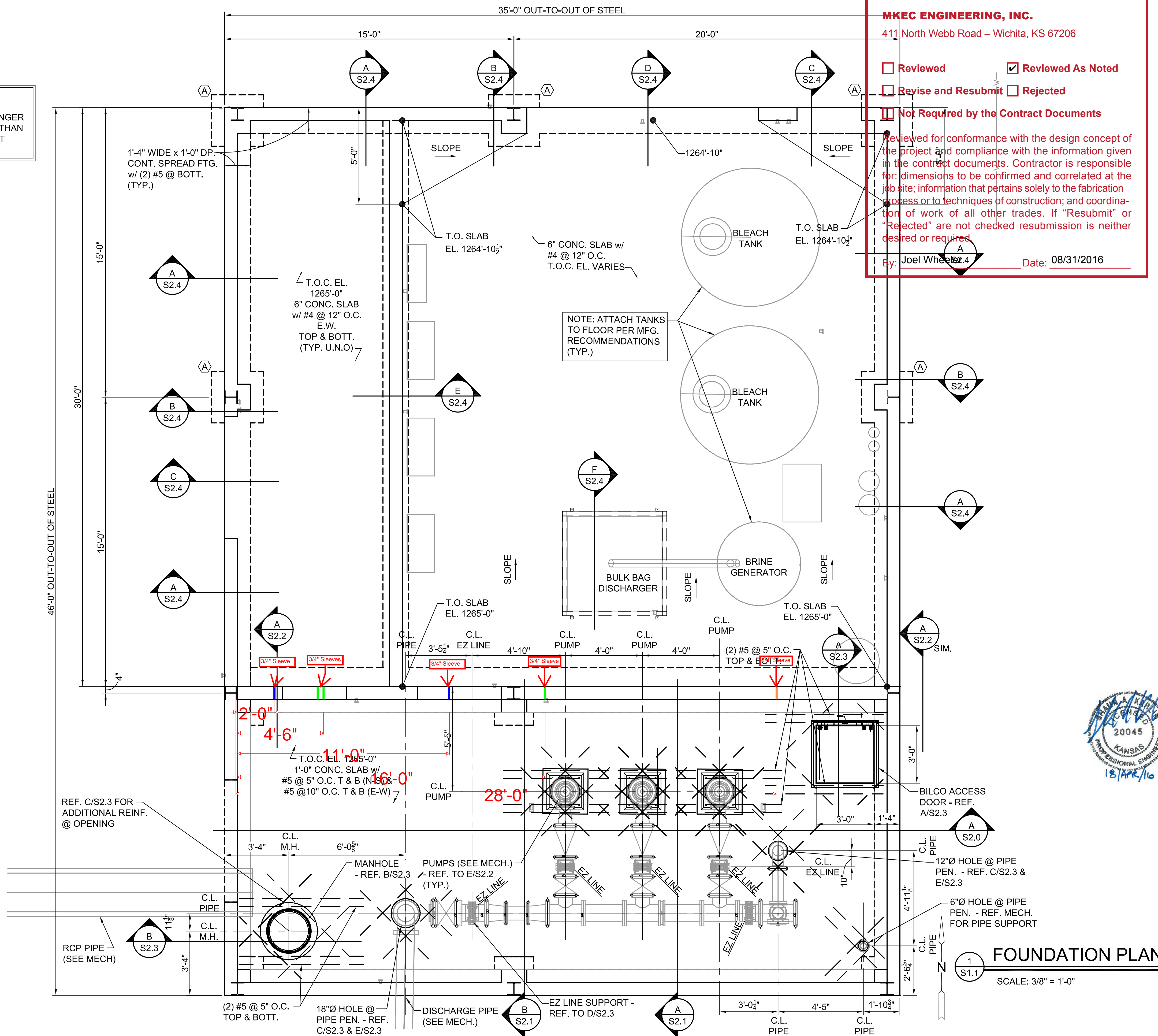
B S1.1
 TYP. SAW CUT JOINT
 SCALE: 1" = 1'-0" (6" SLAB)

MKEC ENGINEERING, INC.
 411 North Webb Road - Wichita, KS 67206

Reviewed Reviewed As Noted
 Revise and Resubmit Rejected
 Not Required by the Contract Documents

Reviewed for conformance with the design concept of the project and compliance with the information given in the contract documents. Contractor is responsible for: dimensions to be confirmed and correlated at the job site; information that pertains solely to the fabrication process or to techniques of construction; and coordination of work of all other trades. If "Resubmit" or "Rejected" are not checked resubmission is neither desired or required.

By: Joel Wheeler Date: 08/31/2016



CITY OF WICHITA, KANSAS
RE-USE WATER PUMP STATION
 TO SERVE SPIRIT AEROSYSTEMS

©2016 MKEC Engineering All Rights Reserved
 These drawings and their contents, including, but not limited to, all concepts, designs, & ideas are the exclusive property of MKEC Engineering (MKEC), and may not be used or reproduced in any way without the express consent of MKEC.

FOUNDATION PLAN - BLDG

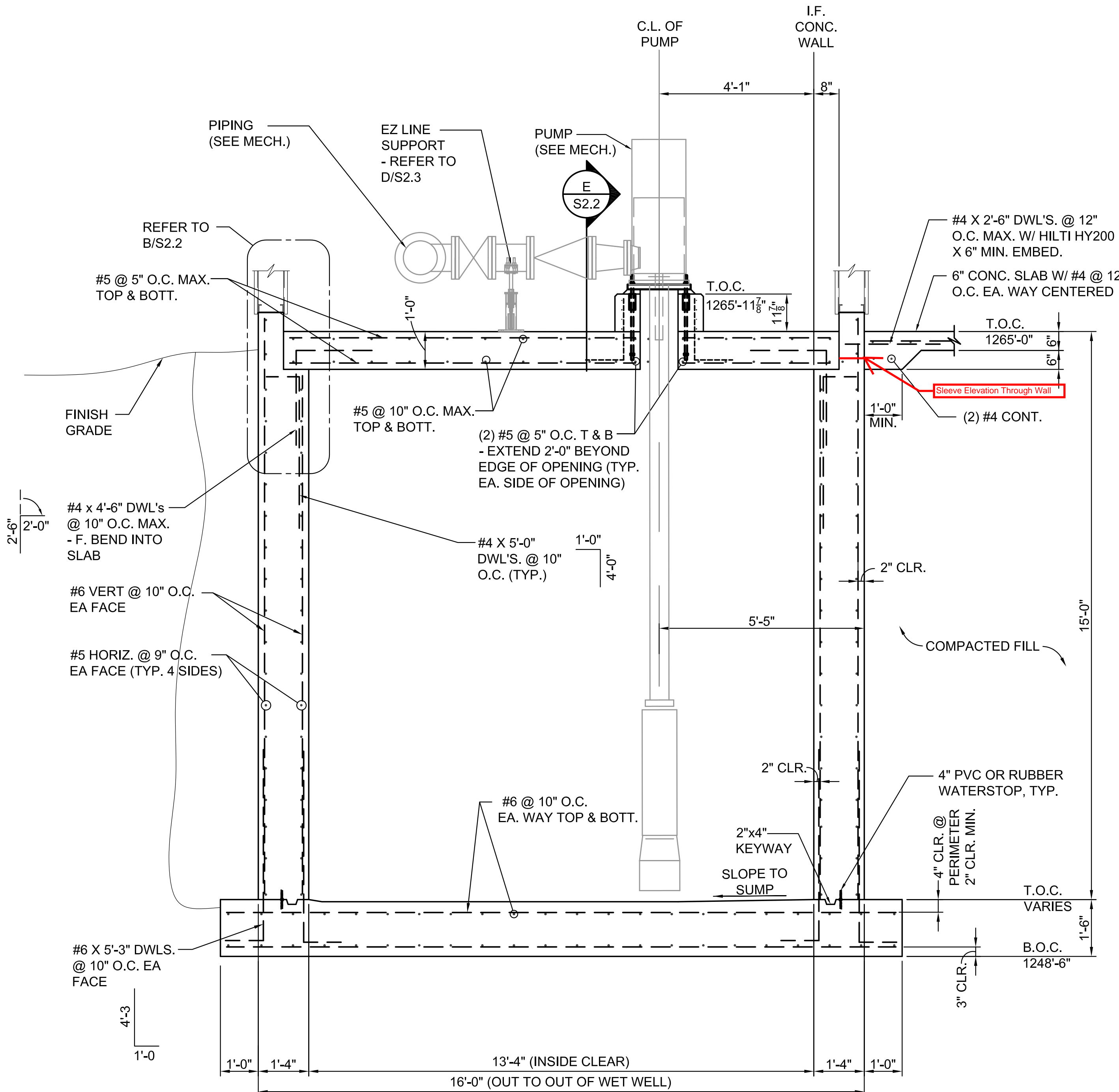
PROJECT NO.	468-85112
DATE	04/18/16
SCALE	AS NOTED
DESIGNED	DRAWN
SK	CAM
CHECKED	AR

FOUNDATION PLAN
 SCALE: 3/8" = 1'-0"

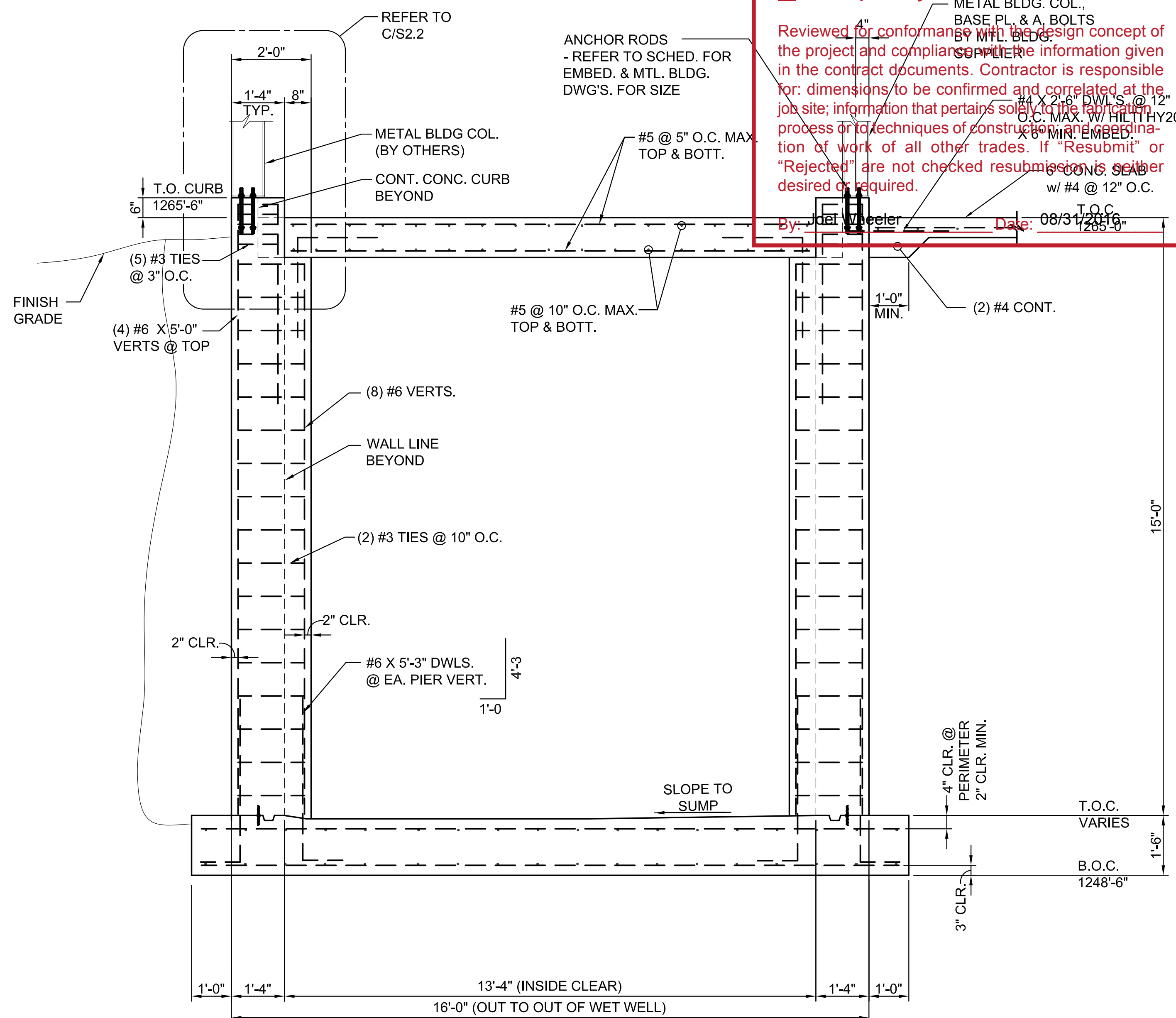
ISSUED FOR CONSTRUCTION	04/18/16
NO.	REVISION
DATE	

PLOTTED: Friday, April 22, 2016 @ 08:11AM

J:\PROJECTS\2015\1501010623_COWI_REUSE_WATER_SUPPLY_SYSTEM_150623_CAD\SHOTS\06_STRUCT\DWGS\S2.1.DWG



A
S2.1
FOUNDATION SECTION
SCALE: 1/2" = 1'-0"



B
S2.1
FOUNDATION SECTION
SCALE: 1/2" = 1'-0"

MKEC ENGINEERING, INC.
411 North Webb Road – Wichita, KS 67206

Reviewed Reviewed As Noted
 Revise and Resubmit Rejected
 Not Required by the Contract Documents

Reviewed for conformance with the design concept of the project and compliance with the information given in the contract documents. Contractor is responsible for: dimensions to be confirmed and correlated at the job site; information that pertains solely to the fabrication process or techniques of construction; and coordination of work of all other trades. If "Resubmit" or "Rejected" are not checked resubmissions shall be desired or required.

By: J. M. Meier Date: 08/31/2016



CITY OF WICHITA, KANSAS
RE-USE WATER PUMP STATION
 TO SERVE SPIRIT AEROSYSTEMS

©2016 MKEC Engineering All Rights Reserved
 www.mkec.com
 These drawings and their contents, including, but not limited to, all concepts, designs, & ideas are the exclusive property of MKEC Engineering (MKEC), and may not be used or reproduced in any way without the express consent of MKEC.

FOUNDATION SECTIONS	
PROJECT NO.	468-85112
DATE	04/18/16
SCALE	AS NOTED
DESIGNED	DRAWN
SK	CAM
CHECKED	AR
ISSUED FOR CONSTRUCTION	04/18/16
NO.	REVISION
SHEET NO.	
S2.1	

