



Project Title: City of Wichita WWTP

CON-V-AIR Project No: 04017-CS

Purchase Order No: PUR015476

Client: Parkson

DRAWINGS AND DOCUMENTS TRANSMITTAL

To: Parkson
 1401 W Cypress Creek Rd, Suite 100
 Fort Lauderdale, FL 33309
 P:954-974-6610

ATTN: Luc Lahaie

From: Mathieu Houle
 CON-V-AIR
 3510 1re Rue
 Saint-Hubert, QC, Canada
 J3Y 8Y5

RECEIVED BY(SIGNATURE):

TRANSMITTAL NO: FA-04

Date: 08/12/2016

Please return copy of this transmittal with signature confirming your receipt of the document.

ADDITIONAL REMARKS BY RECIPIENT

ADDITIONAL REMARKS BY SENDER

TRANSMISSION PURPOSE:

FI for information

FA for approval

FR for review

FC for construction

Item	Data sheet #	Con-V-Air document number	Rev.	Document / Drawing Number	Rev.	Drawing / Document Description	Doc. Type	Qty	Notes
1				10766-IMPGA1000_00	3	General Assembly & Implantation drawings	pdf	1	FA
2									
3									
4									
5									
6									
7									
8									
9									
10									
11									
12									
13									
14									
15									

MKEC ENGINEERING, INC.
 411 North Webb Road – Wichita, KS 67206

Reviewed Reviewed As Noted

Revise and Resubmit Rejected

Not Required by the Contract Documents

Reviewed for conformance with the design concept of the project and compliance with the information given in the contract documents. Contractor is responsible for dimensions to be confirmed and correlated at the job site; information that pertains solely to the fabrication process or to techniques of construction; and coordination of work of all other trades. If "Resubmit" or "Rejected" are not checked resubmission is neither desired or required.

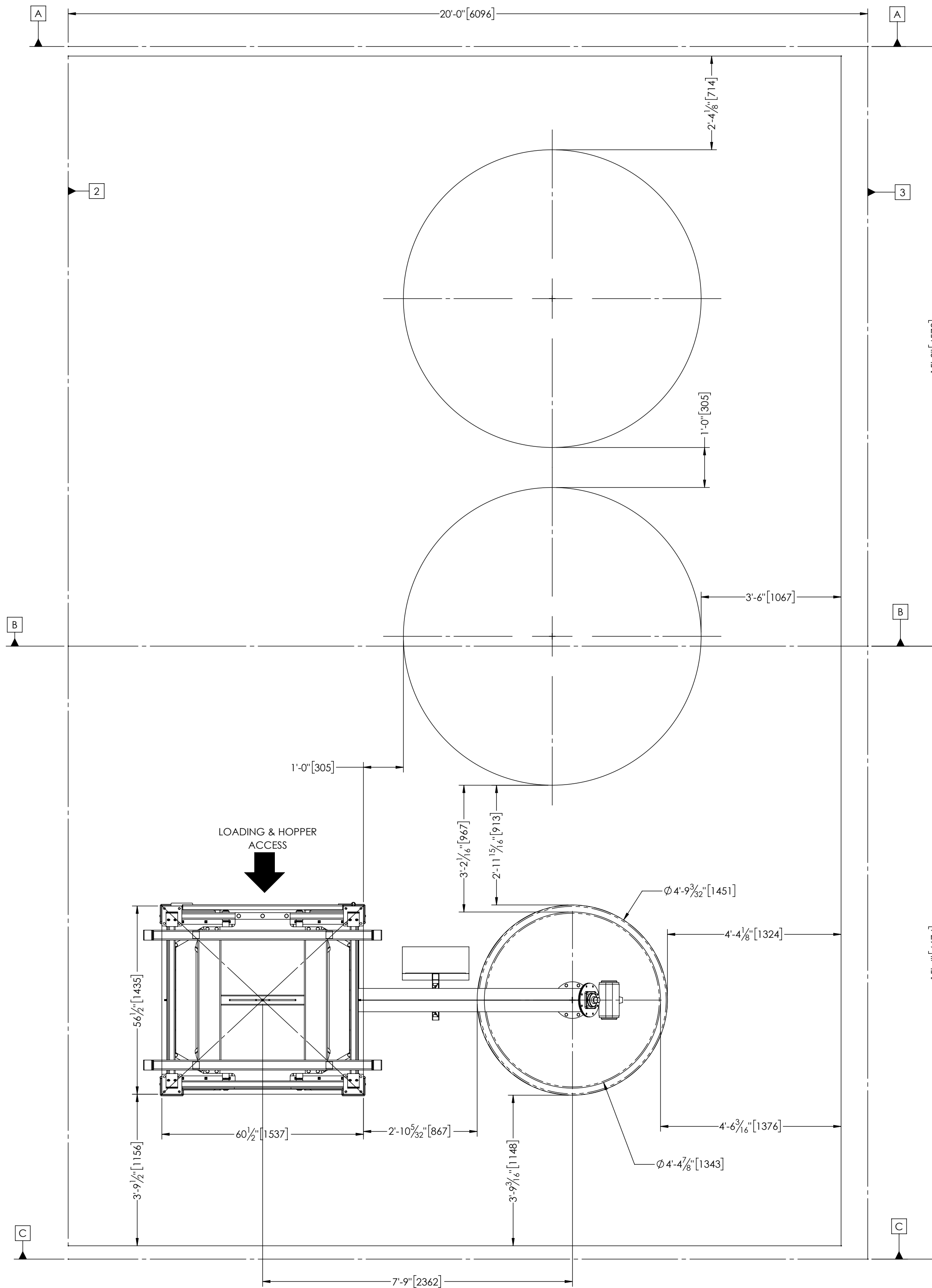
By: Keith Scarberry Date: 12/20/2016

MKEC ENGINEERING, INC.
411 North Webb Road – Wichita, KS 67206

- Reviewed Reviewed As Noted
- Revise and Resubmit Rejected
- Not Required by the Contract Documents

Reviewed for conformance with the design concept of the project and compliance with the information given in the contract documents. Contractor is responsible for: dimensions to be confirmed and correlated at the job site; information that pertains solely to the fabrication process or to techniques of construction; and coordination of work of all other trades. If "Resubmit" or "Rejected" are not checked resubmission is neither desired or required.

By: Keith Scarberry Date: 12/20/2016



NOTES:
HARDWARE NOT ILLUSTRATED ON BULK BAG STATION IS A325
HARDWARE NOT ILLUSTRATED ON CONVEYOR IS SS316
ALL GASKET NOT ILLUSTRATED IS EPDM
ELECTRIC, PNEUMATIC AND MECHANICAL INSTALLATION BY OTHERS
ANCHORS BY OTHERS

PRODUCT:
NGCI

DENSITY:
TO BE CONFIRMED

BIG BAG DIMENSION:
TO BE CONFIRMED

WELDS:
BRUSHED & CLEANED

SURFACE PREPARATION:
SSPC-SP6

PAINT:
APPLY 2 COAT OF MACROPOXY 646 (5-10 MILS DRY)

COLOR:
WHITE

MATERIAL:
SS316L/CS

WEIGHT:
5516.78 lbs

2	ISSUED FOR APPROVAL	GI	07/12/2016
1	ISSUED FOR APPROVAL	JR	2016-11-29
0	ISSUE DFOR APPROVAL	P.-L.V.	2016-10-20
REV	DESCRIPTION	BY	DATE

TOLERANCES UNLESS OTHERWISE SPECIFIED			
X.X	±.02	HOLE	
X.XX	±.01	DECIMAL	+0.01 FRACTION +1/64
X.XXX	±.005	DECIMAL	-0.000 FRACTION -0
FRACTION	±1/16	CLEAN ALL SHARP EDGES (0.015" R MAX.	
ANGULAR	±1°		

CON-V-AIR⁺ INC.
+ SPECIALISTE EN MANUTENTION DE MATIERES EN VRAC
SPECIALIST IN SOLIDS HANDLING
3510, 1ère rue St-Hubert, (QC) J3Y 8Y5 - Tél: 450-462-9599 - Fax: 450-462-0756
www.con-v-air.com info@con-v-air.com

PROJECT: PARKSON CITY OF WICHITA WWTP			
TITLE: BULK BAG FEED SYSTEM GENERAL ASSEMBLY			
DRAWN BY: P.-L. VACHON		VERIFIED BY: -	
ITEM #: 108442			
DRAWING #: 10766-IMPGA1000			REV.: 3
PROJECT #: 04017-SS	DATE: 20/10/2016	SCALE: 1:24	SHEET: 2 / 2

SCALE VALID FOR A 17X22 FORMAT - DIMENSIONS ARE IN INCHES