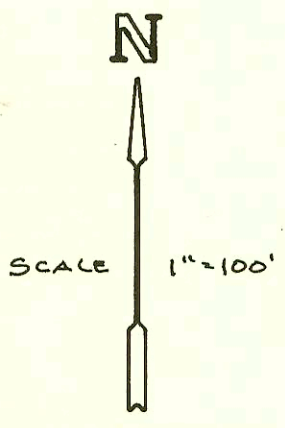


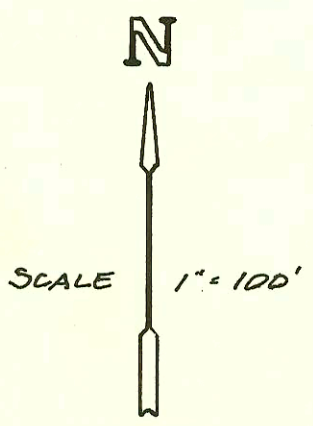
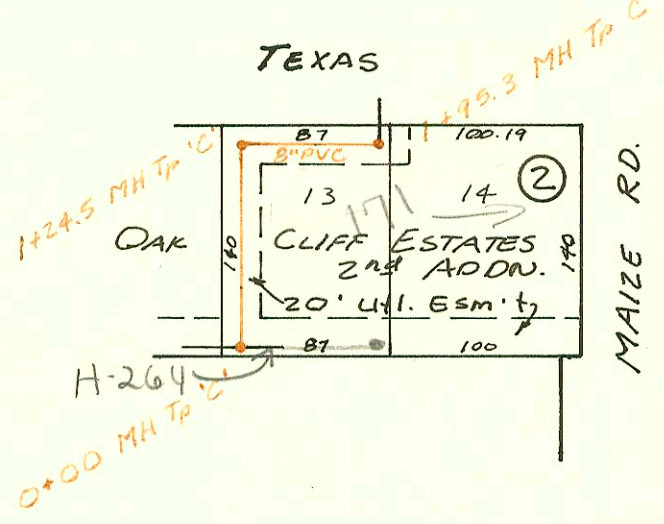
LAT 235, MAIN 5, SS. # 22
46B-76-245-81210-000-000-001
Built By: Utility CONTRACTORS
Booked 8-24-84 FROM DLK-454

6-45



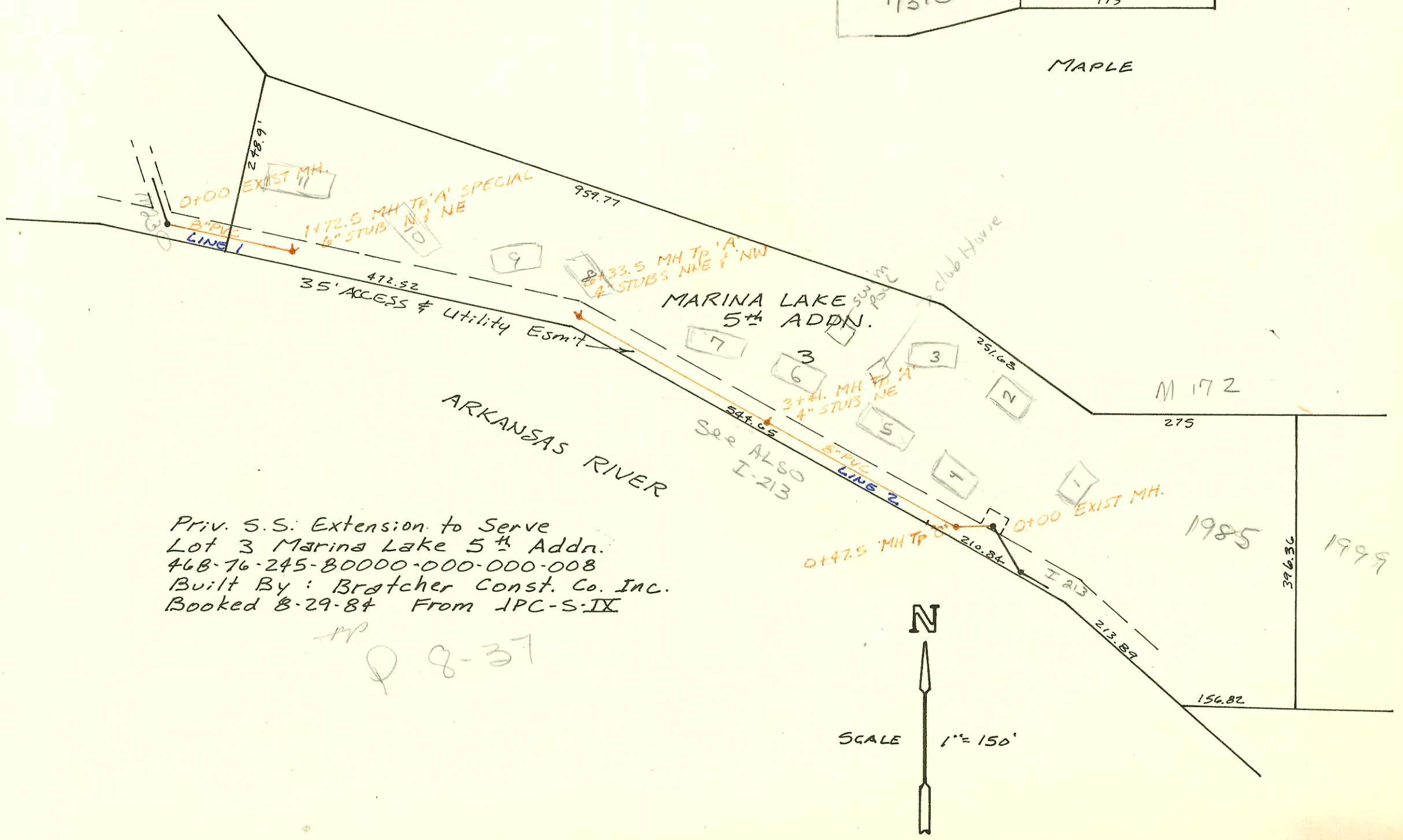
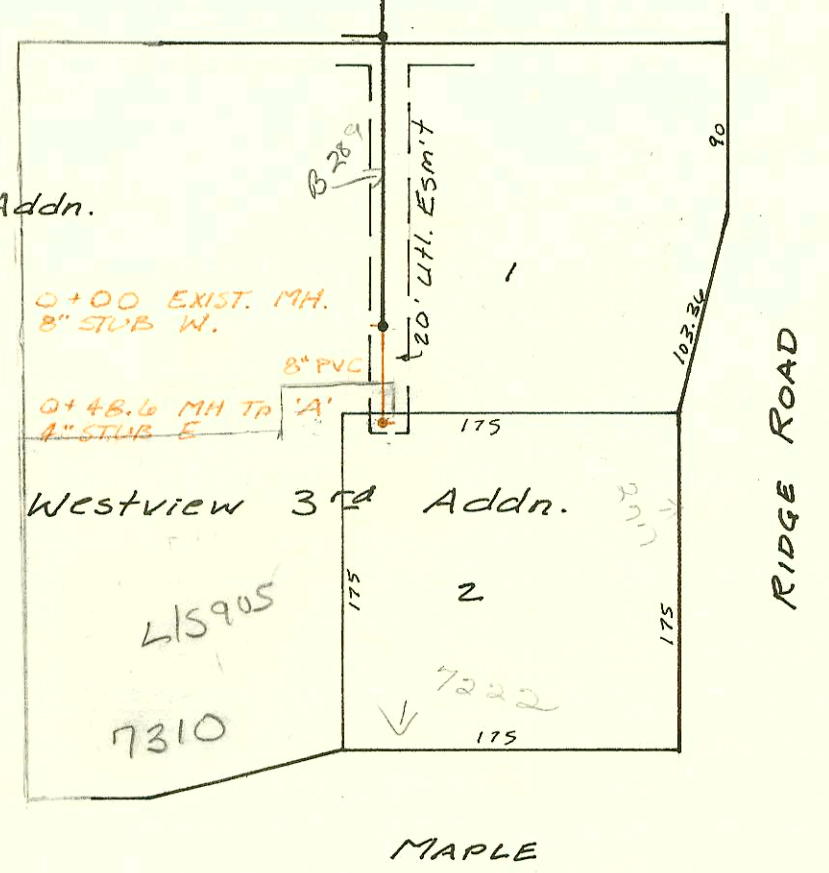
Relocation of part LAT 8, MAIN 9, SWI
46B-76-245-80000-000-000-008
Built By: Clearwater Co.
Booked 8-24-84 FROM TCD-51A

MP P 4-53



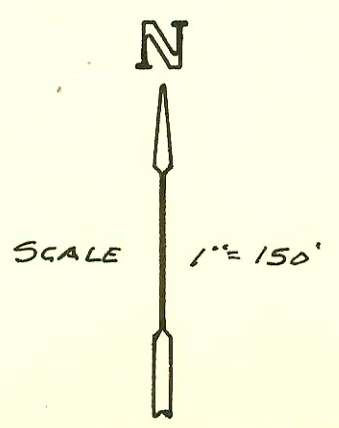
Priv. S.S. to Serve Lot 2, Westview 3rd Addn.
46B-76-245-80000-000-000-008
Built By Barnes & Morris
Booked 8-27-84 From TCD-51A

MP P 5-54



Priv. S.S. Extension to Serve
Lot 3 Marina Lake 5th Addn.
46B-76-245-80000-000-000-008
Built By: Bratcher Const. Co. Inc.
Booked 8-29-84 From IPC-S-IX

MP P 8-37



CONSTRUCTION RECORD							SERVICE RECORD					
STATION	ELEVATION		Depth	MANHOLE	4-INCH "Y" BRANCHES		No. of Permit		House Number		DATE OF PERMITS	
	Ground	Grade			North West	South East	North West	South East	North West	South East	North West	South East
LAT 235, MAIN 5, S.S. #22												
0+21.8	130.16	119.70	10.5	0+21.8 EXIST MH								
1+00	128.6	119.89	8.7									
	128.99	120.02 OUT 120.18 IN	9.0	1+53.6		1+88.1	11885		1055 N		9-4-84	
2+00	128.2	120.32	7.9			2+40.6	11886		1049		9-4-84	
						2+97.9	11887		1043 N		9-4-84	
3+00	127.4	120.64	6.8				12243		5404		10-12-84	
	127.51	120.77 OUT 120.80 IN	6.8	3+33.4		4" STUB SW	12242		5402 W		10-12-84	
4+00	128.6	121.01	7.6			4+53.4	12031		5512		9-14-84	
						5+21.9	12032		5518		9-14-84	
5+00	126.1	121.32	4.8			5+53.9	11897	12145	1058	5526 W	8-20-84	10-1-84
	126.03	121.63	4.4	5+96.9		4" STUB S	12447		5530 W		11-2-84	
Relocation of part LAT B, MAIN 9, SW I												
0+00	138.0	126.62	11.4	0+00						1915		1-8-84
							98-3157		MAJER			
1+00	138.6	126.93	12.2									
	137.5	126.33 OUT 126.38 IN	11.1	1+24.5								
	137.5	125.92 OUT 125.87 IN	11.6	1+95.3								
Priv. S.S. to Serve Lot 2, Westview 3rd Addn.												
0+00	144.2	133.90 OUT 137.90 IN	10.3 6.3	0+00 EXIST MH		134.20			9310		7-18-86	
						0+44.6	7615767		MAJER			
	145.18	138.10	7.1	0+48.6		4" STUB E						
Priv. S.S. Ext. to Lot 3 MARINA LAKE 5th ADDN.												
LINE 1												
0+00	123.2	119.20	4.0	0+00 EXIST.								
1+00	123.0	119.50	3.5									
	123.0	119.72	3.3	1+72.5		6" STUB N	11631	11630	1985 #11	1985	8-15-85	8-15-85
LINE 2												
0+00	124.5	110.00	14.5	0+00 EXIST.			11621		1985 #3		7-31-84	
	122.6	110.19	12.4				11623		1985 #4		8-15-84	
1+00	122.2	114.45	7.7	0+47.5		0+98.5	11622		1985 #2		11-20-84	7-31-84
2+00	122.3	114.95	7.3			2+35.0	11624		1985 #5		8-15-84	
						2+79.0	11628		1985 #4		8-15-84	
3+00	122.3	115.45	6.8			3+25.0	11625		1985 #6		8-15-84	
	122.4	115.66	6.7	3+41.0		4" STUB NE						
4+00	122.5	115.95	6.5									
5+00	122.8	116.45	6.3									
6+00	122.7	116.95	5.7									
	122.8	117.12	5.7	6+33.5		4" STUB NW	11629	11627	1985 #9	1985	8-15-85	8-15-85
N/O 12030-5504 W Edminister - 9-14-84 - 11 W. C. Blawie - (20% E of 5+96.9) (3+9.294)												