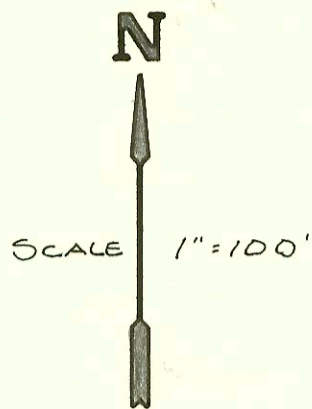
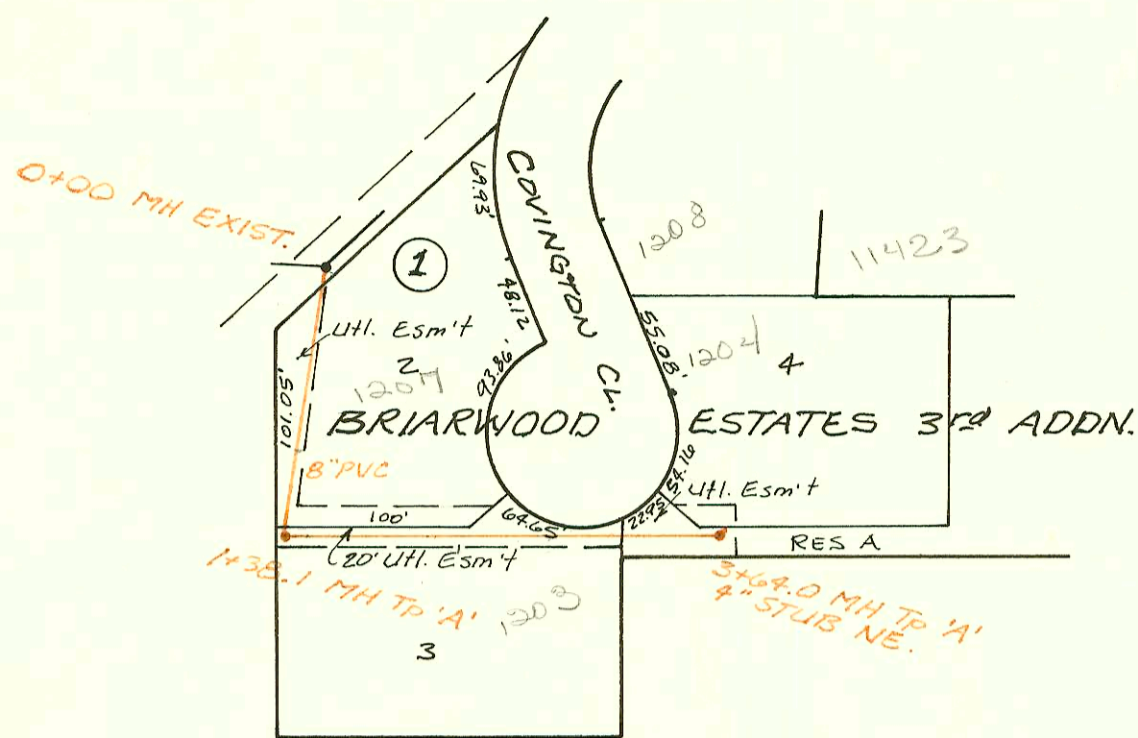
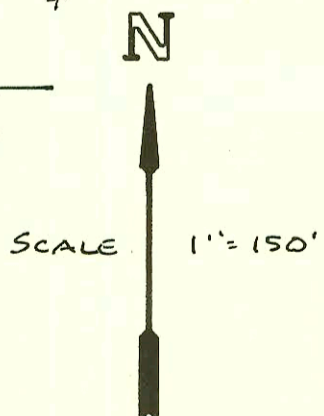
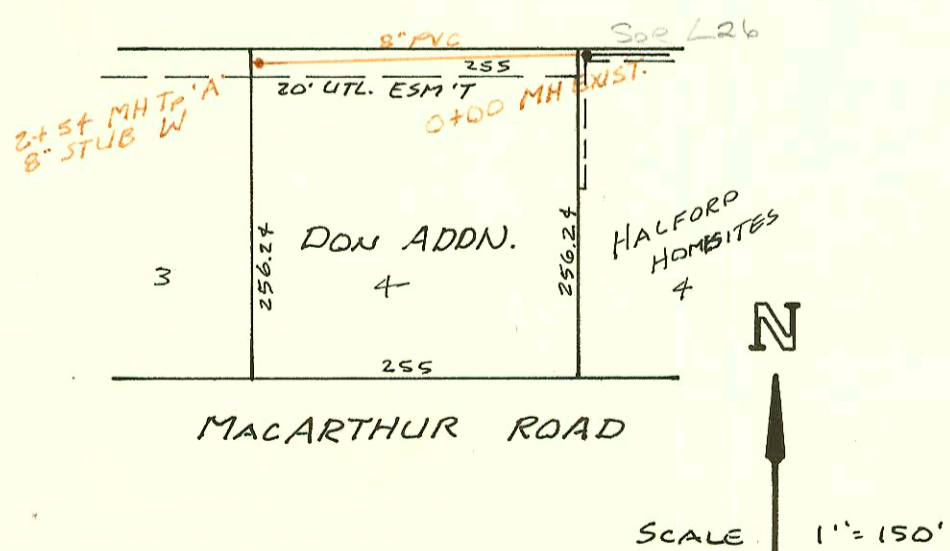
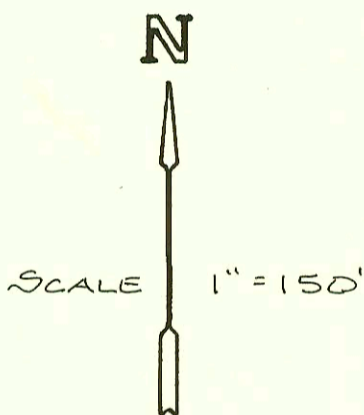
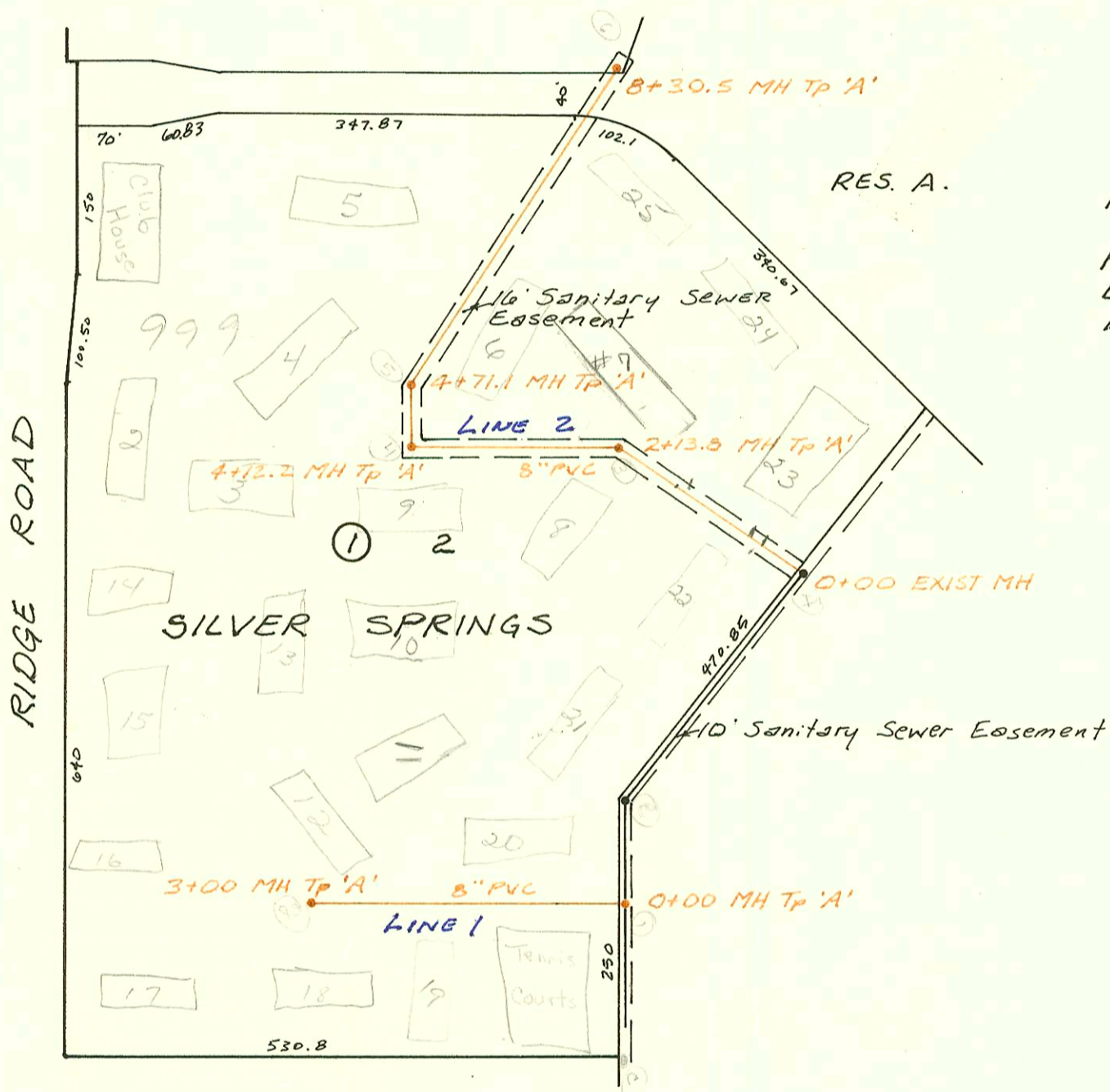


Priv. S.S. to Serve Briarwood Estates 3rd Addn.  
 Proj. No. 468-76-245-80000-000-000-008  
 Built By Mid-States Const. Co.  
 Booked 9-12-84 From DCD-213

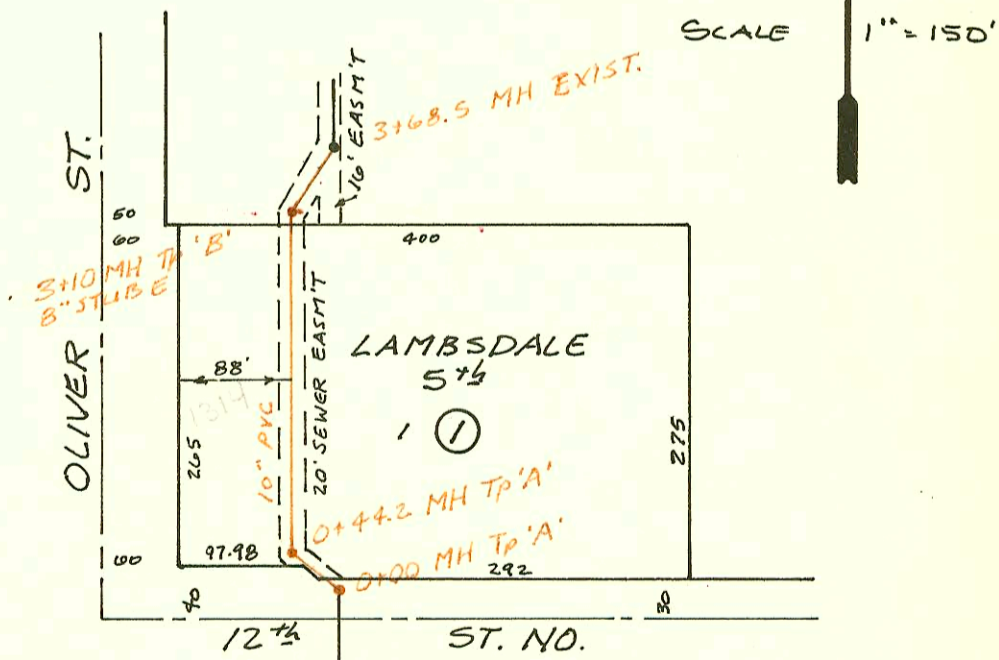


Priv. S.S. to serve Lot 2, Block 1  
 Silver Springs  
 Proj. No. 468-76-245-80000-000-000-008  
 Built By  
 Booked 9-13-84 FROM JPC-S-IX



Priv. S.S. FOR DON'S ADDN.  
 468-76-245-80000-000-008  
 Built By A PLUS PLUMBING  
 BOOKED 11-8-84 FROM TCD-36

MP  
 9-78



SCALE 1" = 150'

SAN. SEWER RELOCATION - LAMBSDALE 4th ADDN  
 (NOW PLATTED AS LAMBSDALE 5th)  
 468-76-245-80000-000-000-008  
 Built By E.W. JOHNSON CONSTRUCTION CO.  
 BOOKED 11-7-84 FROM 114

11-44

2001-01288-511801-Bldg 7- Mies Const- 6" PVC - Replace 8' of 6" PVC Pipe 21' from  
 main sewer line - Tap about 62' SE of MH 213.8 (1+51.8)

CONSTRUCTION RECORD							SERVICE RECORD					
STATION	ELEVATION		Depth	MANHOLE	4-INCH "Y" BRANCHES		No. of Permit		House Number		DATE OF PERMITS	
	Ground	Grade			North West	South East	North West	South East	North West	South East	North West	South East
Priv. S.S. to Serve Briarwood Estates 3rd Addn.												
0+00	145.51	137.20	8.3	0+00 EXIST.								
					0+97.17AP		12558		1201		6-23-87	
1+00	146.5	137.50	9.0									
	147.45	137.62	9.8	1+38.1								
2+00	147.5	138.00	9.5		2+38.1 tag		14832		1203		10-10-85	
3+00	147.2	138.30	8.9									
	145.39	138.49	6.9	3+64.0	4" stub NE		17980		1204		2-10-87	
Priv. S.S. to Serve Lot 2, Blk 1, Silver Springs												
LINE 1												
0+00	127.2	117.68	9.5	0+00								
1+00	127.3	119.08	8.2			1762.0 tag	11341		999 17		7-5-84	
2+00	126.5	120.58	5.9		2+16.0 tag		11333		999 11		7-5-84	
					2+18.0 tag	MHTag OK	11334	11339	999 12	999 17	7-5-84	7-5-84
3+00	127.1	122.08	5.0	3+00	MHTag OK	MHTag OK	11337	11338	999 15	999 16	7-5-84	7-5-84
LINE 2												
0+00	125.8	119.46	6.3	0+00 EXIST.	0+49.0 tag		11345		999 15	see next	7-5-84	
					0+62.8 tag	0+52.0 tag	11329	11344	999 17	999 22	7-5-84	7-5-84
1+00	125.3	119.76	5.5		1+37.0 tag		11346		999 18		7-5-84	
2+00	126.3	120.16	6.1									
	126.5	120.22	6.3	2+13.8		2+81.1 tag	11330		999 19		7-5-84	
3+00	127.6	120.56	7.0									
4+00	126.8	120.96	5.8		4+15.1 tag	MHTag OK	11331	11336	999 19	999 14	7-5-84	7-5-84
	126.7	121.11	5.6	4+12.2	4+15.2 tag	MHTag OK	11325	11336	999 16	999 13	7-5-84	7-5-84
	126.6	121.25	5.3	4+71.1	4+16.7 tag	MHTag OK	11324	11328	999 2	999 6	7-5-84	7-5-84
5+00	125.9	121.36	4.5		5+14.1 tag		11326		999 4		7-5-84	
					5+16.1 tag		11323		999 CH		7-5-84	
6+00	126.9	121.76	5.1		5+98.1 tag		11327		999 5		7-5-84	
7+00	126.9	122.16	4.7									
						7+57.7 tag	11347		999 25		7-5-84	
8+00	126.1	122.56	3.5									
	126.9	122.79	4.1	8+30.5								
S.S. RELOCATION LAMBSDALE 4th ADDN.												
0+00	202.95	188.78	14.2	0+00								
	204.7	188.07 out	15.8	0+44.2								
		188.97 IN										
1+00	204.0	189.08	14.9									
2+00	204.7	189.27	15.4									
3+00	205.4	189.74	15.7									
	206.1	189.47 out	16.6	3+10.0								
		189.58 IN	16.2	3+68.5								
	205.85	189.70	16.2	EXIST.								
Priv. S.S. FOR DON ADDN.												
0+00	92.6	84.72	7.9	0+00 EXIST.								
1+00	90.0	84.90	5.1									
2+00	90.5	85.10	5.4									
	92.4	85.21	7.2	2+54								
11340 - 999 Silver Springs #18 - 7-5-84 - Richard Harvey 3+00.0 mHTag OK												
11332 - 999 " #18 - " " " " mHTag OK												