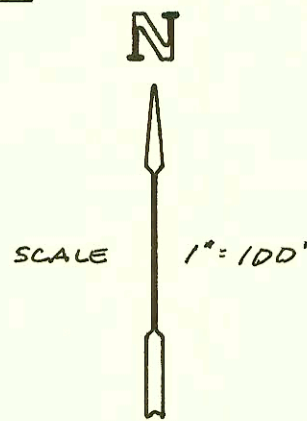
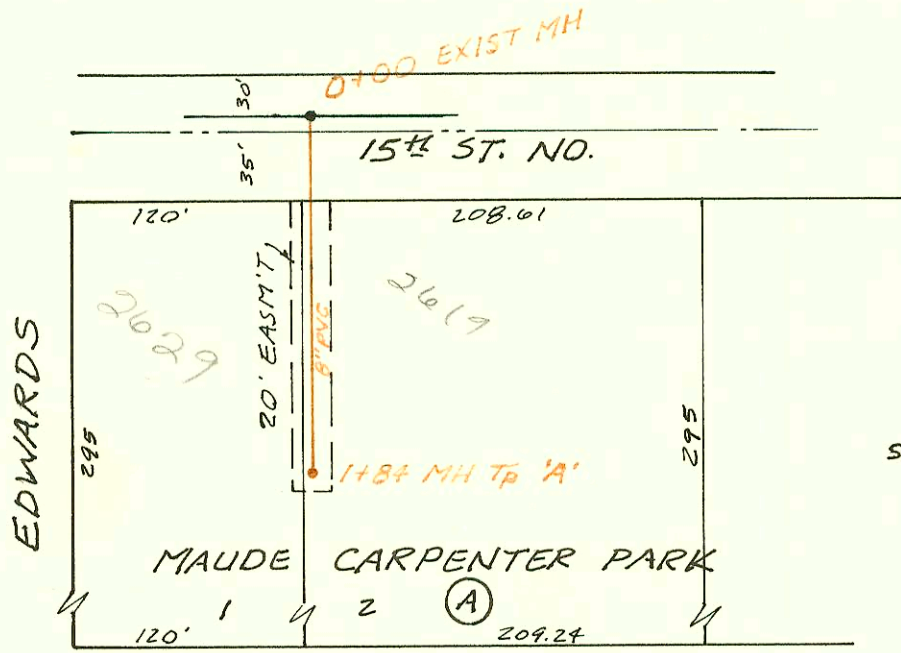
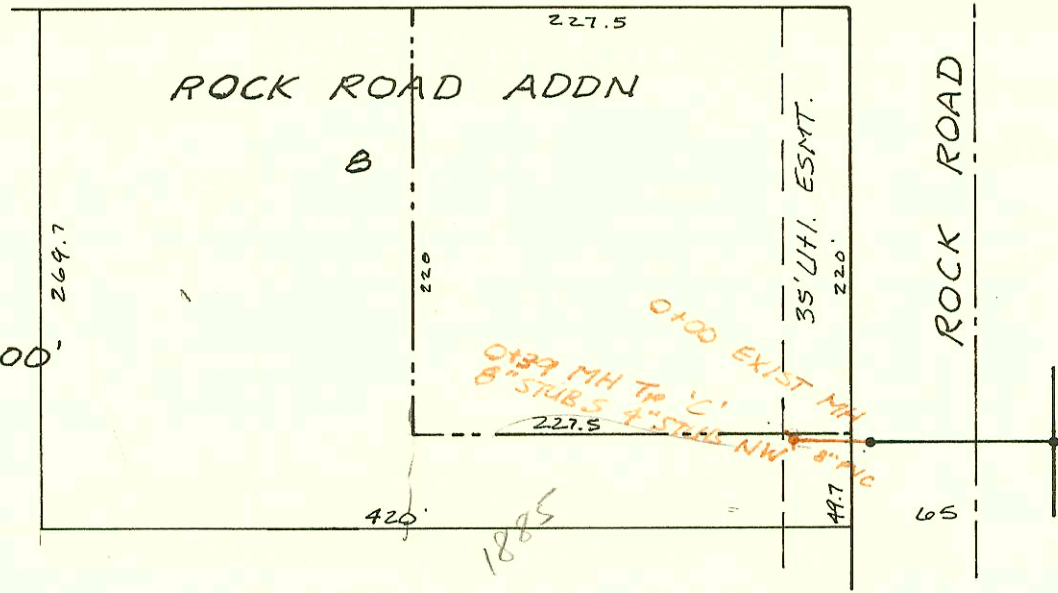
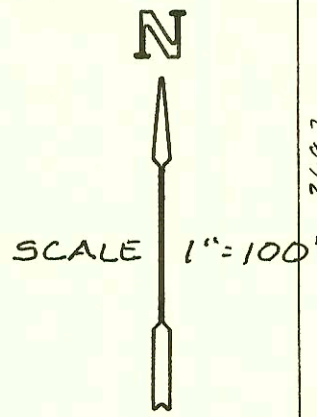
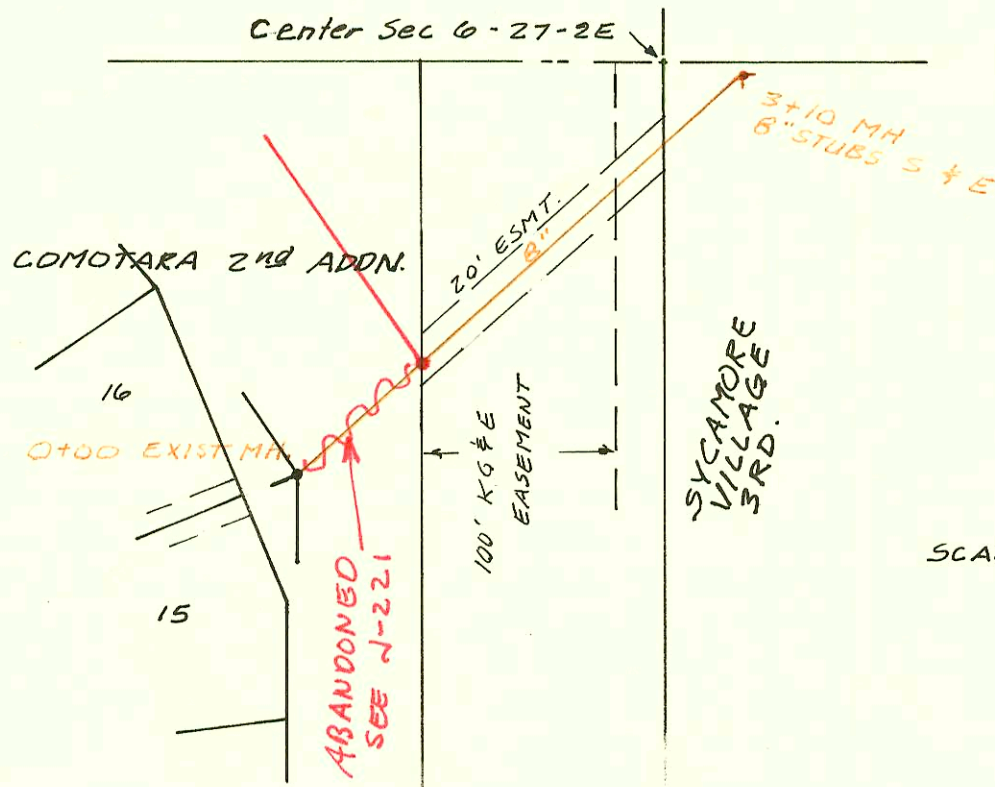


FUNSTON

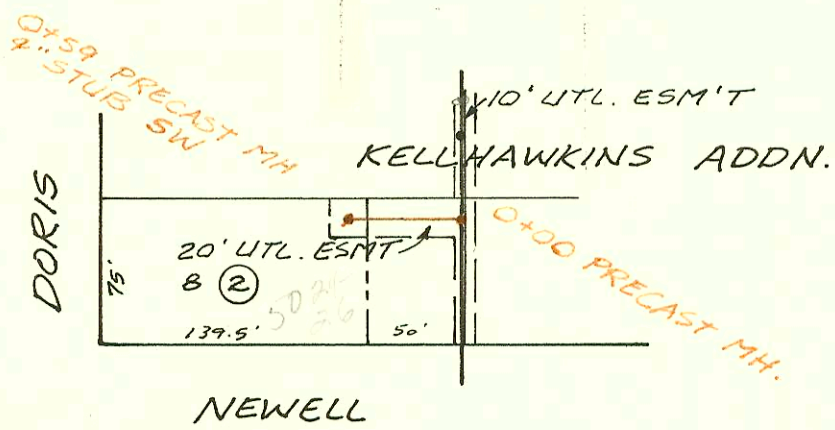
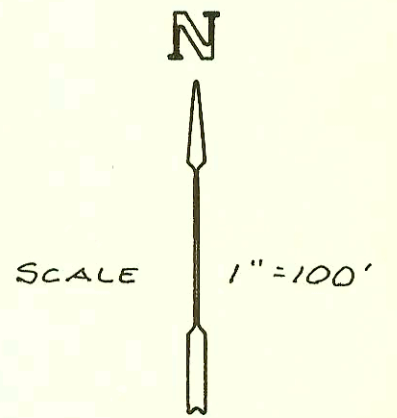
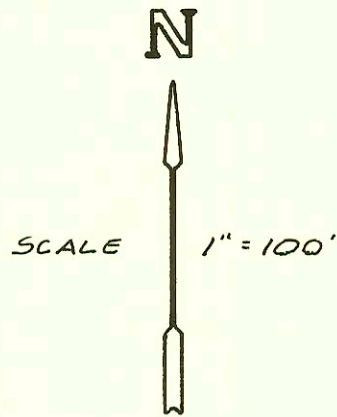
PRIV. SAN. SEWER EXT. TO SERVE
LOT B, ROCK ROAD ADDN
468-76-245-80000-000-000-008
BUILT BY UTILITY CONT.
Booked 12-11-84 FROM PLAN



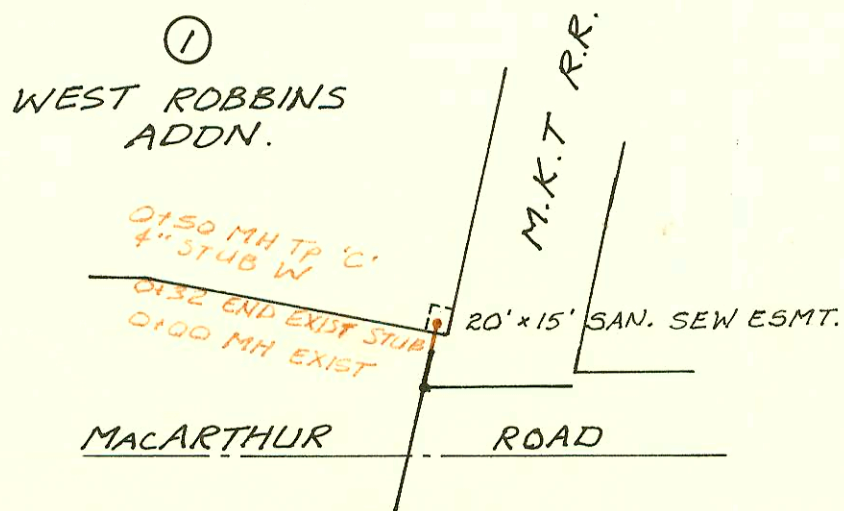
PRIV. SAN. SEWER EXT. FOR CHRISTIAN
HOME RETIREMENT HOUSING
468-76-245-80000-000-000-008
BUILT BY UTILITY CONT.
Booked 12-19-84 FROM CARDS & PLAN



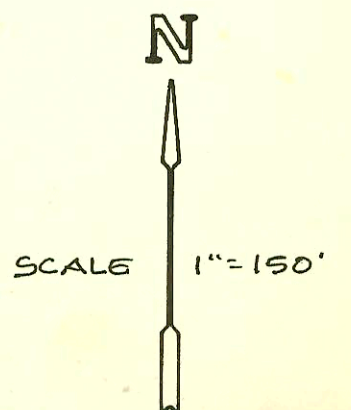
Priv. San. Sewer For Sycamore Village 3rd
468-76-245-80000-000-000-008
Booked 1-31-85 From Plan



PRIV. SAN. SEWER FOR PART OF
LOT B, BLK 2, KELLHAWKINS ADDN.
468-76-245-80000-000-000-008
BUILT BY GERALD'S SEWER SERVICE
BOOKED 2-5-85 FROM KW#11



PRIV. SAN. SEWER FOR DOLESE
WEST ROBBINS PLANT
468-76-245-80000-000-000-008
BUILT BY UTILITY CONTRACTORS
BOOKED 2-5-85 FROM MG-7



CONSTRUCTION RECORD							SERVICE RECORD					
STATION	ELEVATION		Depth	MANHOLE	4-INCH "Y" BRANCHES		No. of Permit		House Number		DATE OF PERMITS	
	Ground	Grade			North West	South East	North West	South East	North West	South East	North West	South East
PRIV. SAN. SEWER EXT. FOR LOT B, ROCK ROAD ADDN.												
0+00	154.4	143.26	11.1	0+00 EXIST								
	155.5	143.65	11.9	0+39	4" STUB NW	8" STUB S						
PRIV. SAN. SEW. EXT. FOR CHRISTIAN HOME RETIREMENT HOUSING												
0+00	120.0	110.4	9.6	0+00 EXIST MH								
							0+95.1	2286	2619 W			1-6-81
1+00	120.6	110.8	9.8									
	122.2	111.2	11.0	1+84								
PRIV. SAN. SEW. FOR SYCAMORE VILLAGE 3RD												
0+00	206.2	191.50	14.7	0+00 EXIST								
1+00	206.5	192.92	13.6									
2+00	206.3	194.34	12.0									
3+00	206.0	195.76	10.2									
	206.0	195.90	10.1	3+10.0								
PRIV. SAN. SEWER TO SERVE PART OF LOT 8, BLOCK 2, KELLHAWKINS ADDN												
0+00	123.60	116.90	6.7	0+00								
	123.50	117.14	6.4	0+59		4" STUB SW		12883	5024-26			1-7-81
PRIV. SAN. SEWER FOR DOLESE WEST ROBBINS PLANT												
0+00	90.96	83.14	7.8	0+00 EXIST								
0+32	89.0	83.20	5.8		0+45 TAP		18999		120 W. (Scale Room) (and Staff Lab) 9-8-67			
	90.0	83.24	6.8	0+50	4" STUB W		unknown		130 W. (ORIG) (for ART) (BRAC) unknown			