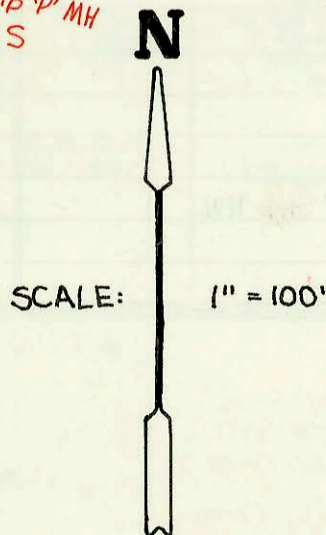
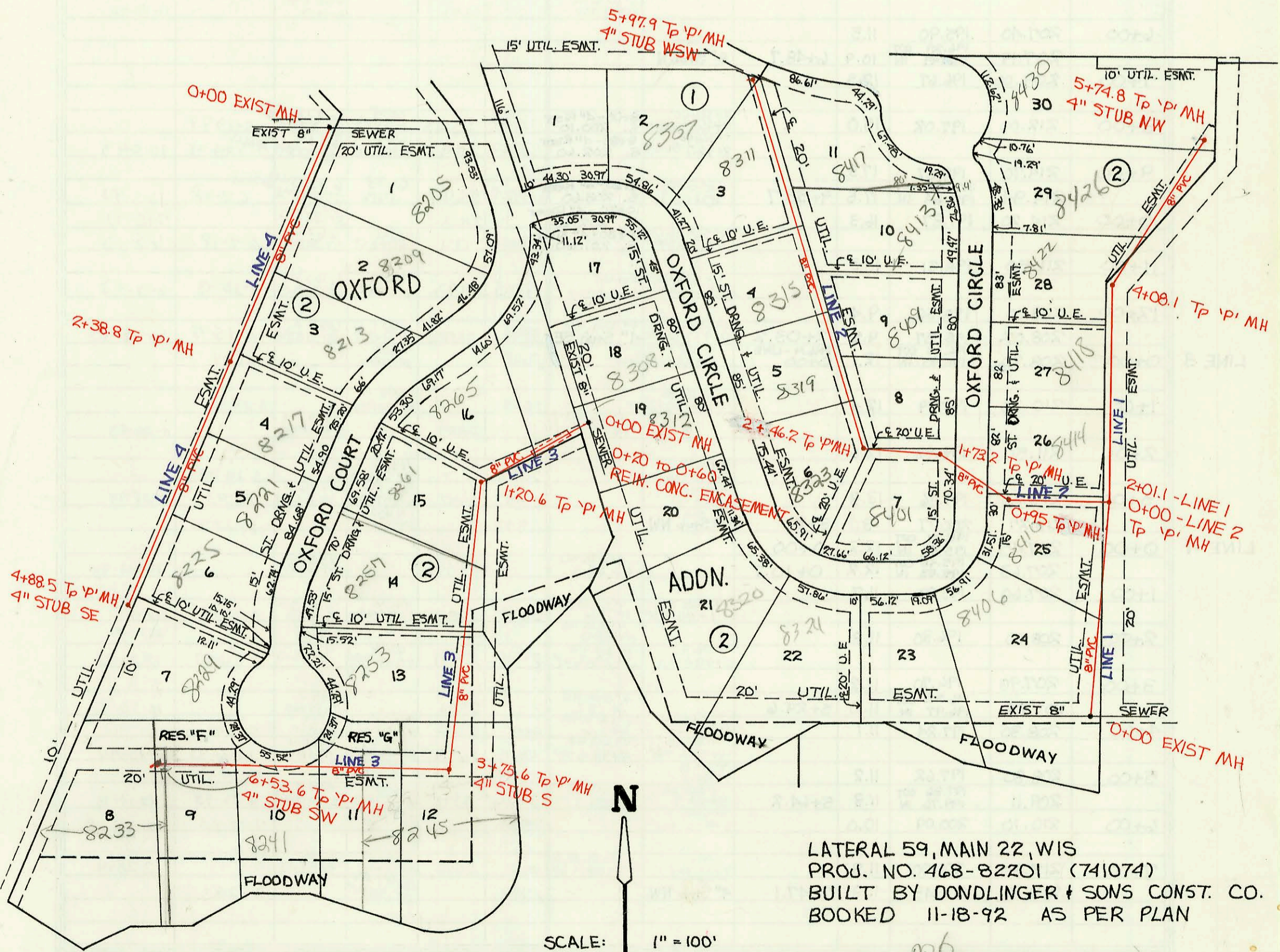
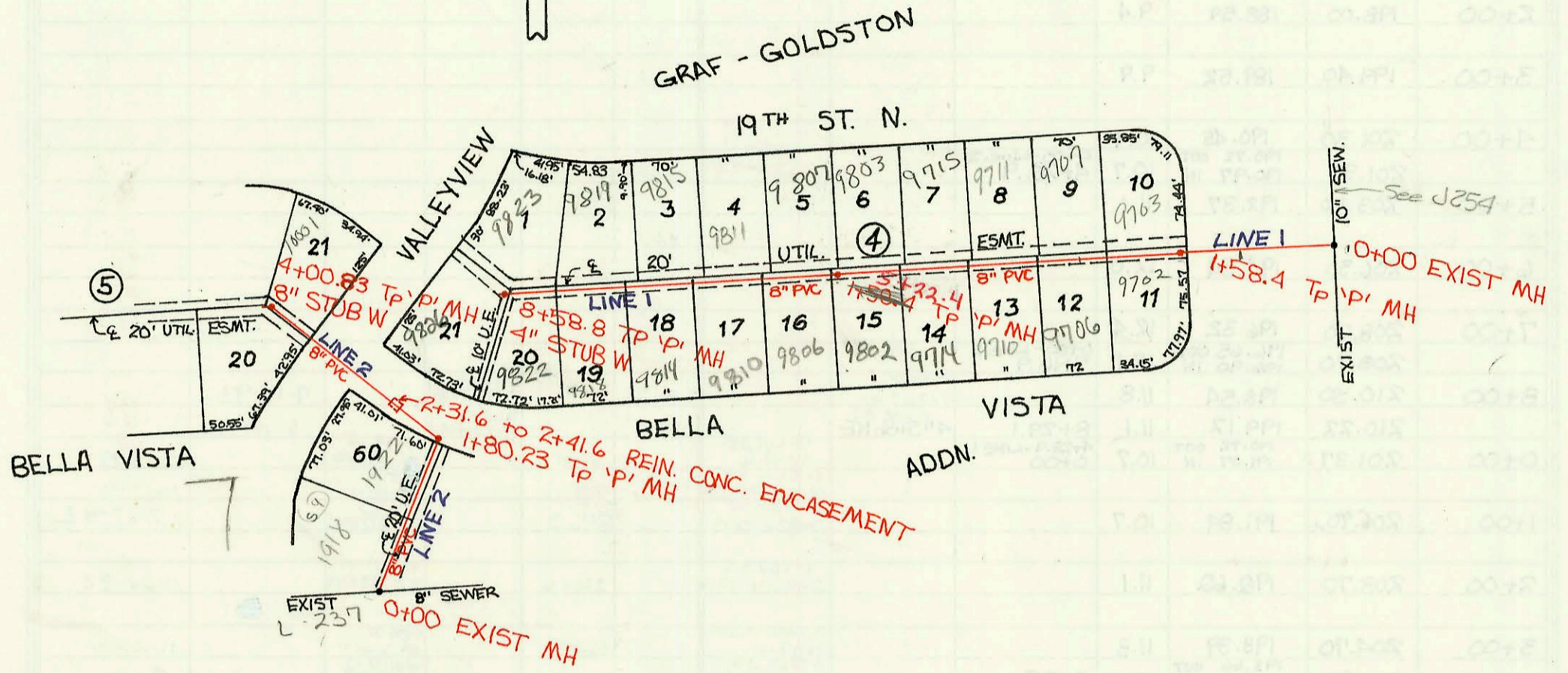


LATERAL 102, WESTLINK SEWER
 PROJ. NO. 468-82200 (741066)
 BUILT BY W. B. CARTER CONST. CO.
 BOOKED 11-13-92 AS PER PLAN



LATERAL 59, MAIN 22, WIS
 PROJ. NO. 468-82201 (741074)
 BUILT BY DONDLINGER & SONS CONST. CO.
 BOOKED 11-18-92 AS PER PLAN

CONSTRUCTION RECORD						SERVICE RECORD							
STATION	ELEVATION		Depth	MANHOLE	4-INCH "Y" BRANCHES		No. of Permit		House Number		DATE OF PERMITS		
	Ground	Grade			North West	South East	North West	South East	North West	South East	North West	South East	
Lateral 102, Westlink Sewer													
LINE 1	0+00	154.90	145.22 OUT 145.38 IN	9.7	0+00								
	1+00	153.50	145.78	7.7									
		153.90	146.01	7.9	1+58.4	4" S.C.H. 40 PVC 2+09.4 NIC	4" SDR 35 1+74.4	953036-7	9511193-7	9703 w 19th	9702 Bella Vista	3-8-95	11-24-95
	2+00	153.40	146.18	7.2									
						4" PVC 40 2+63.4	4" SDR 35 2+96.4 Tap	94-144-7	95-324-7	9707 W 19th St N	9706 Bella Vista	2-2-94	3-20-95
	3+00	153.60	146.58	7.0									
						4" S.C.H. 40 PVC 3+96.4 Tap	4" SDR 40 PVC 3+46.4	93-2177-7	94-11232	9711 W 19th St	9710 W Bella Vista	9-16-93	7-12-94
	4+00	154.10	146.98	7.1									
						4" SDR 35 4+20.4 Tap		93-371-7	94-11246	9715 w 19th	9714 W Bella Vista	12-30-92	10-30-96
	5+00	154.70	147.38	7.3									
		155.80	147.47	8.0	5+22.4	4" SDR 35 4+70.4	4" S.C.H. 40 5+25.4	93-3172-7	97-1363-7	9803 w 19th	9802 Bella Vista	12-27-93	7-31-94
	6+00	155.50	147.78	7.7									
						4" SDR 35 6+01.7	?	94-13604-7	95-0189-4	9807 w 19th	9805 Bella Vista	8-5-94	8-22-00
						4" SDR 35 6+96.9	4" SDR 35 6+93.8	94-1818-7	94-13341-7	9811 w 19th	9810 Bella Vista	11-16-94	8-22-94
	7+00	156.30	148.18	8.1									
						4" SDR 35 7+61.9 Tap	4" S.C.H. 40 PVC 7+78.2	92-4566-7	94-11233-7	9819 w 19th	9818 W Bella Vista	12-23-92	7-12-94
	8+00	157.30	148.58	8.7									
		158.40	148.82	9.6	8+58.8	4" S.C.H. 40 8+28.8 Saddle	4" S.C.H. 40 8+53.8	2001- 01353	2002- 00740	9823 w 19th	9822 W Bella Vista	6-4-01	3-18-02
LINE 2	0+00	159.34	147.75 OUT 148.15 IN	11.6	0+00	4" Stob W		2001- 02141		9826 W Bella Vista		8-28-01	
	1+00	158.00	148.55	9.5									
		156.72	148.87	7.9	1+80.23	4" PVC 40 97.0 Tap	4" SDR 35 1+20.2	93-3068-7		1918 W Valley View		12-9-93	
	2+00	156.70	148.96	7.7									
	3+00	156.70	149.40	7.3									
	4+00	158.80	149.84	9.0									
		158.87	149.85	9.0	4+00.89	8" Stob W		9822208-7		10001 w 19th		11-16-98	
Lateral 59, Main 22, W15													
LINE 1	0+00	198.10	186.80 OUT 187.10 IN	11.3	0+00	0+16.0 TAP		93-23588-7		8406 Oxford Ct		8-31-93	
	1+00	200.50	191.39	9.1									
	2+00	201.80	195.69	6.1									
		201.80	195.74	6.1	0+00-LINE 2 2+01.1	4" SDR 35 2+08.1		94-11164-7		8414 E Oxford Ct		7-7-94	
	3+00	202.60	196.13	6.5		4" SDR 35 3+01.1 Tap		93-30576-7		8413 E Oxford Ct		12-7-93	
	4+00	203.40	196.52	6.9		4" SDR 35 4+25.7		94-756-7		8422 Oxford Ct		1-5-94	
		203.90	196.56	7.3	4+08.1								
	5+00	203.00	196.92	6.1		4" SDR 40 5+43.2		95-13444-7		8426 Oxford Ct		8-24-95	
		203.40	197.23	6.2	5+74.8	4" SDR 40 5+74.8		95-2833-7		8420 Oxford Ct		8-11-95	
LINE 2	0+00	201.80	195.74 OUT 195.94 IN	6.1	2+01.1-LINE 1 0+00	4" SDR 35 0+56.0		94-6247-7		8410 Oxford Ct		4-26-94	
	1+00	205.10	196.32	8.8	0+95								
		205.00	196.34	8.7									
		205.50	196.63	8.9	1+73.2								
	2+00	205.50	196.73	8.8									
		204.40	196.92 OUT 197.12 IN	7.5	2+46.2			2003 03164		8323 Oxford		12-4-03	
	3+00	204.60	197.33	7.3		4" SDR 35 3+47.2		92-32368-7		8319 Oxford		10-21-92	
	4+00	205.60	197.73	7.9				98-596-7		8409 Oxford		1-9-98	
	5+00	206.70	198.13	8.6				97-277-7		8315 Oxford Ct		1-8-97	
		208.20	198.53	9.7	5+97.9	4" SDR 35 5+31.9		97-2181-7		8311 Oxford Ct		2-12-97	11-21-97
		208.20	198.53	9.7				97-20728-7		8417 Oxford Ct		12-29-97	
LINE 3	0+00	206.69	192.37 OUT 198.67 IN	14.3	0+00	4" Stob WSW		93-25207-7		8307 E Oxford Ct		9-23-93	
	1+00	203.50	199.06	4.4				93-16575-7		8265 E Oxford Ct		6-23-93	
		203.90	199.15 OUT 199.35 IN	4.8	1+20.6	4" SDR 35 1+36.6		92-4296-7		8261 Oxford Ct		11-19-92	
	2+00	204.10	199.66	4.4		4" SDR 35 2+28.6		92-3290-7		8257 Oxford Ct		10-15-92	
						4" SDR 35 2+97.6		96-13593-7		8253 Oxford		8-14-96	
	3+00	204.80	200.06	4.7									
		207.20	200.37 OUT 200.57 IN	6.8	3+75.6	4" SDR 35 4" Stob S		94-5240-7		8243 E Oxford Ct		4-12-94	
	4+00	207.40	200.66	6.7									
	5+00	208.70	201.06	7.6				94-3552-7		8241 Oxford Ct		3-9-94	
	6+00	208.40	201.46	6.9									
		207.80	201.68	6.1	6+53.6	4" Stob SW		96-2632-7		8233 Oxford Ct		12-4-96	

211.17
Adjusted MH
9/9/94
SKB

Continued On Page N-44