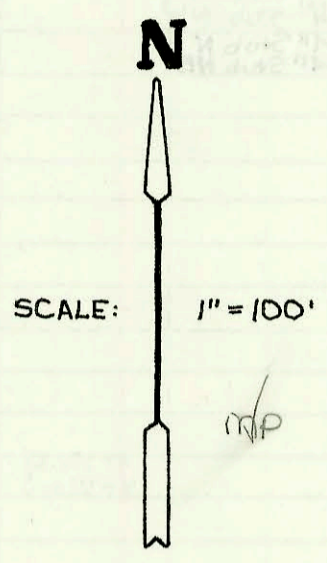
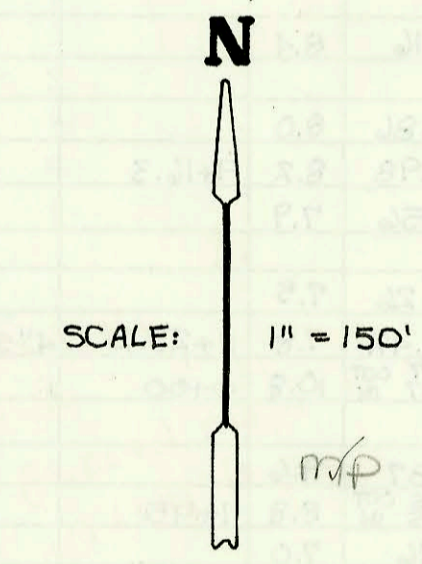
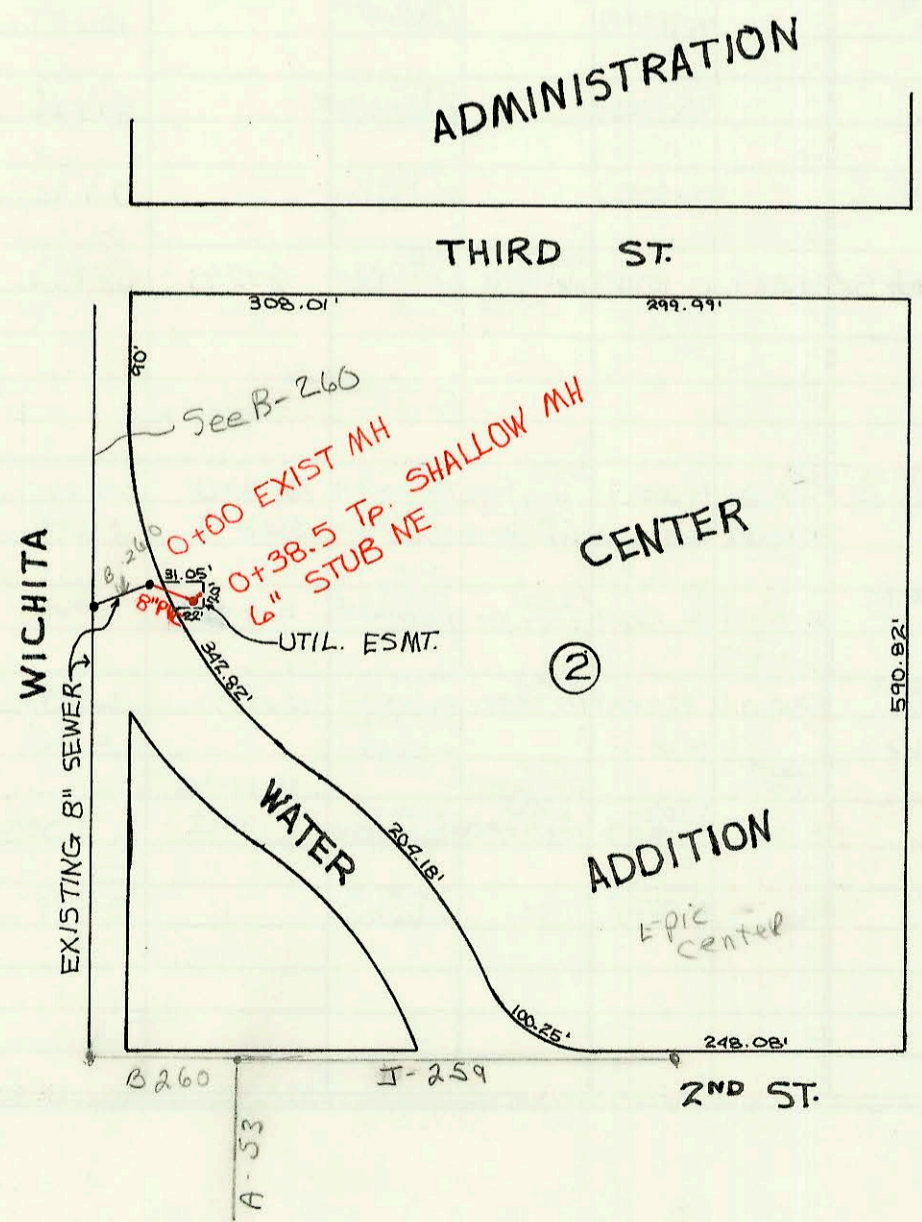
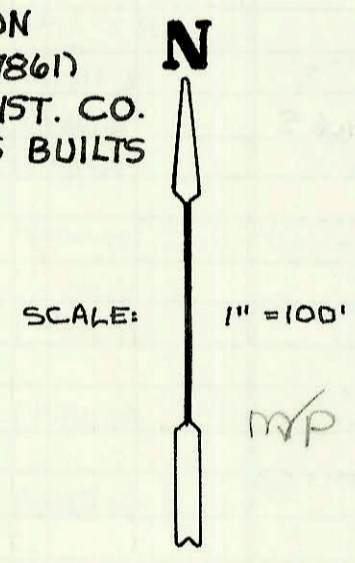
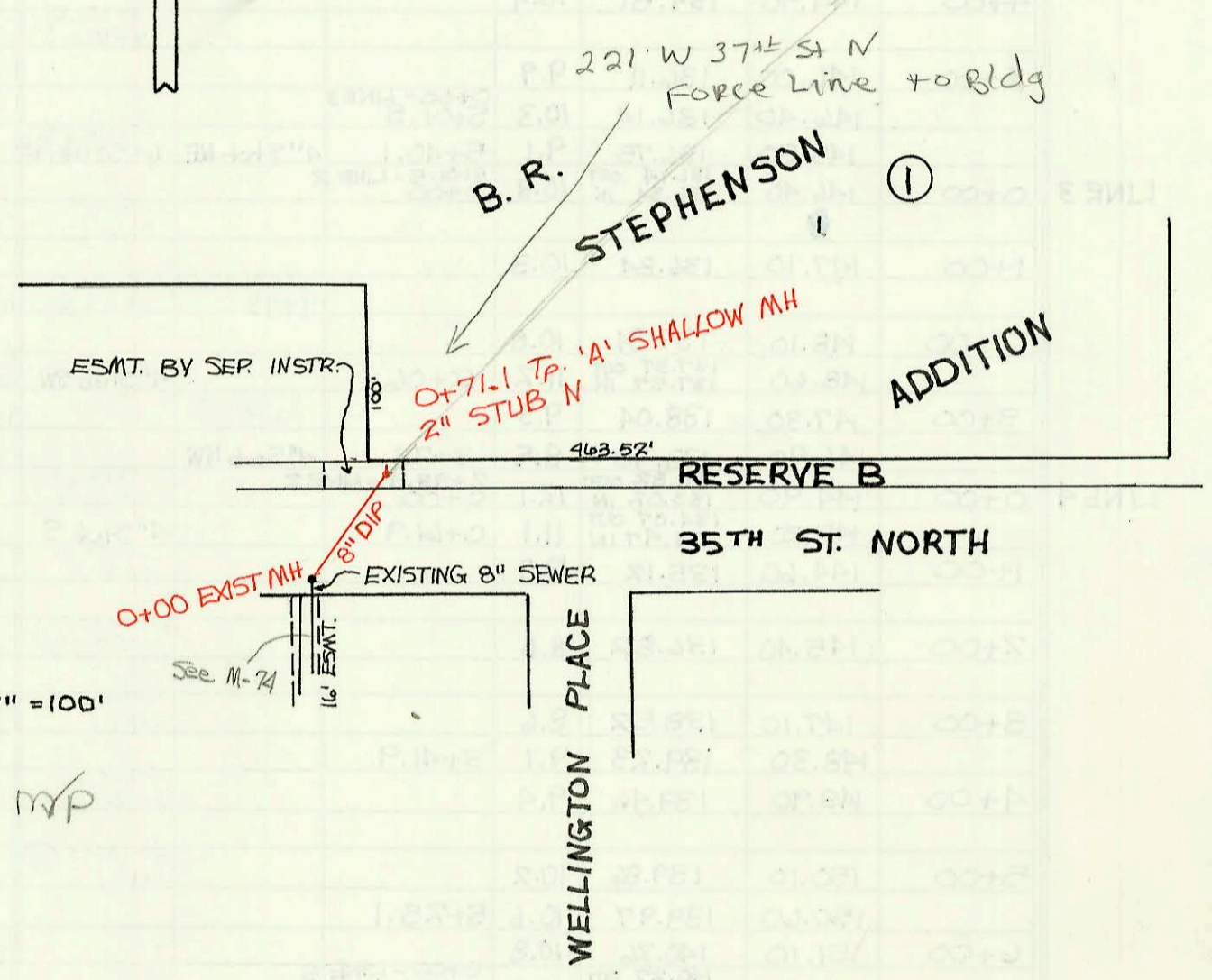


PRIVATE SANITARY SEWER EXTENSION TO SERVE PART OF LOT 4, H. F. JOHNSTON ADDITION
PRIV. PROJ. NO. 367 PPS (607861)
BUILT BY DONNA SAVINA PLUMBING, INC.
BOOKED 6-23-93 FROM AS BUILTS



PRIVATE SANITARY SEWER EXTENSION TO SERVE B. R. STEPHENSON ADDITION
PRIV. PROJ. NO. 329 PPS (607861)
BUILT BY W. B. CARTER CONST. CO.
BOOKED 6-23-93 FROM AS BUILTS



PRIVATE SANITARY SEWER TO SERVE BLOCK 2, ADMINISTRATION CENTER ADDITION
PRIV. PROJ. NO. 365 PPS (607861)
BUILT BY STREETS INC.
BOOKED 6-23-93 FROM AS BUILTS

CONSTRUCTION RECORD						SERVICE RECORD						
STATION	ELEVATION		Depth	MANHOLE	4-INCH "Y" BRANCHES		No. of Permit		House Number		DATE OF PERMITS	
	Ground	Grade			North West	South East	North West	South East	North West	South East	North West	South East
Private Sanitary Sewer Extension to Serve Part of Lot 4, H.F. Johnston Addition												
0+00	130.30	128.44 OUT 121.36 IN	9.9									
1+00	131.45	121.90	9.6			W 4" 93+6 4" SE 4" 30+5		93-16229-7		1317 High		6-17-93
Private Sanitary Sewer Extension To Serve B. R. Stephenson Addition												
0+00	129.60	124.69 OUT 125.69 IN	4.9	0+00								
	129.90	126.44	3.5	0+71.1	3" 2" Stob N*			93-14166-7		221 W. 37th 37th N Below		6-7-93
Private Sanitary Sewer To Serve Block 2, Administration Center												
0+00	112.66	108.04 OUT 108.25 IN	4.6	0+00								
	113.33	108.92	4.4	0+38.5	6" Stob NE							

Form #192-020 (July, 1981) 221 W. 37th St. N. - 93-14166-7 - N/C - 1200 ft of 2" Sch 40 PVC of forced line. (Equipment warehouse)
 Line OK per Bob Shephard. 6/7/93
 96-19568-7 11-27-96 221 W 37th N - 4" sch 40 - tapped into mt pit (PRIVATE) which is (Office Bldg) pumped to city mt.