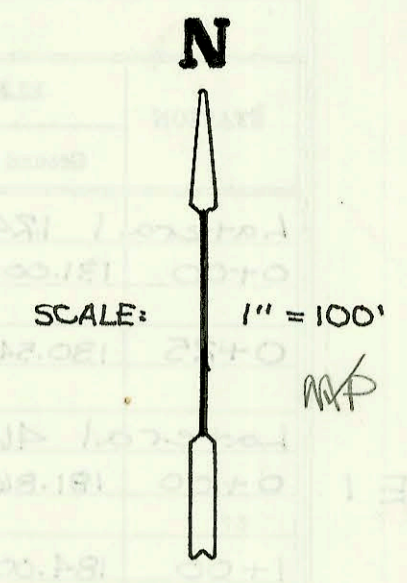
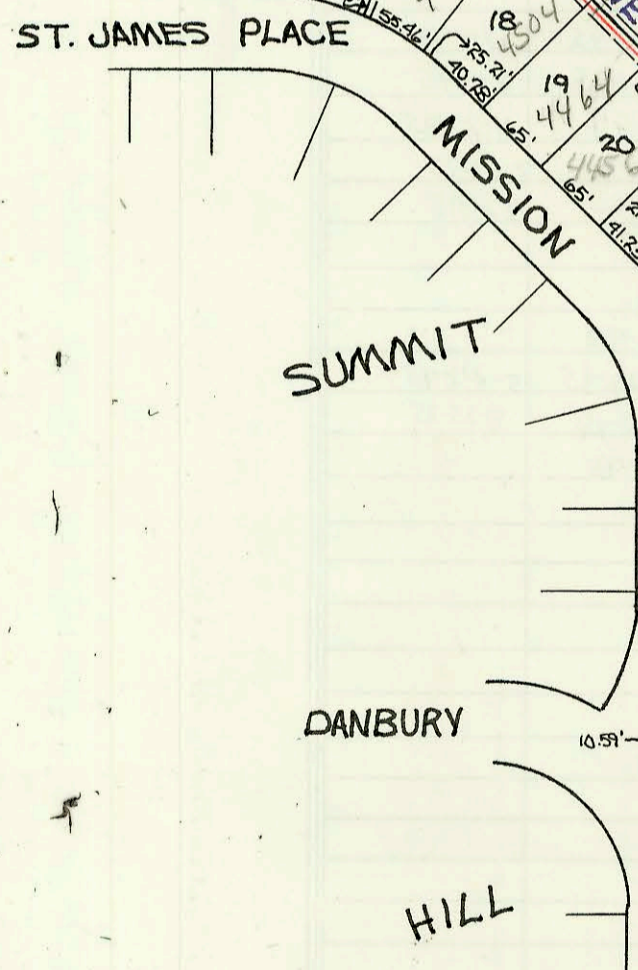
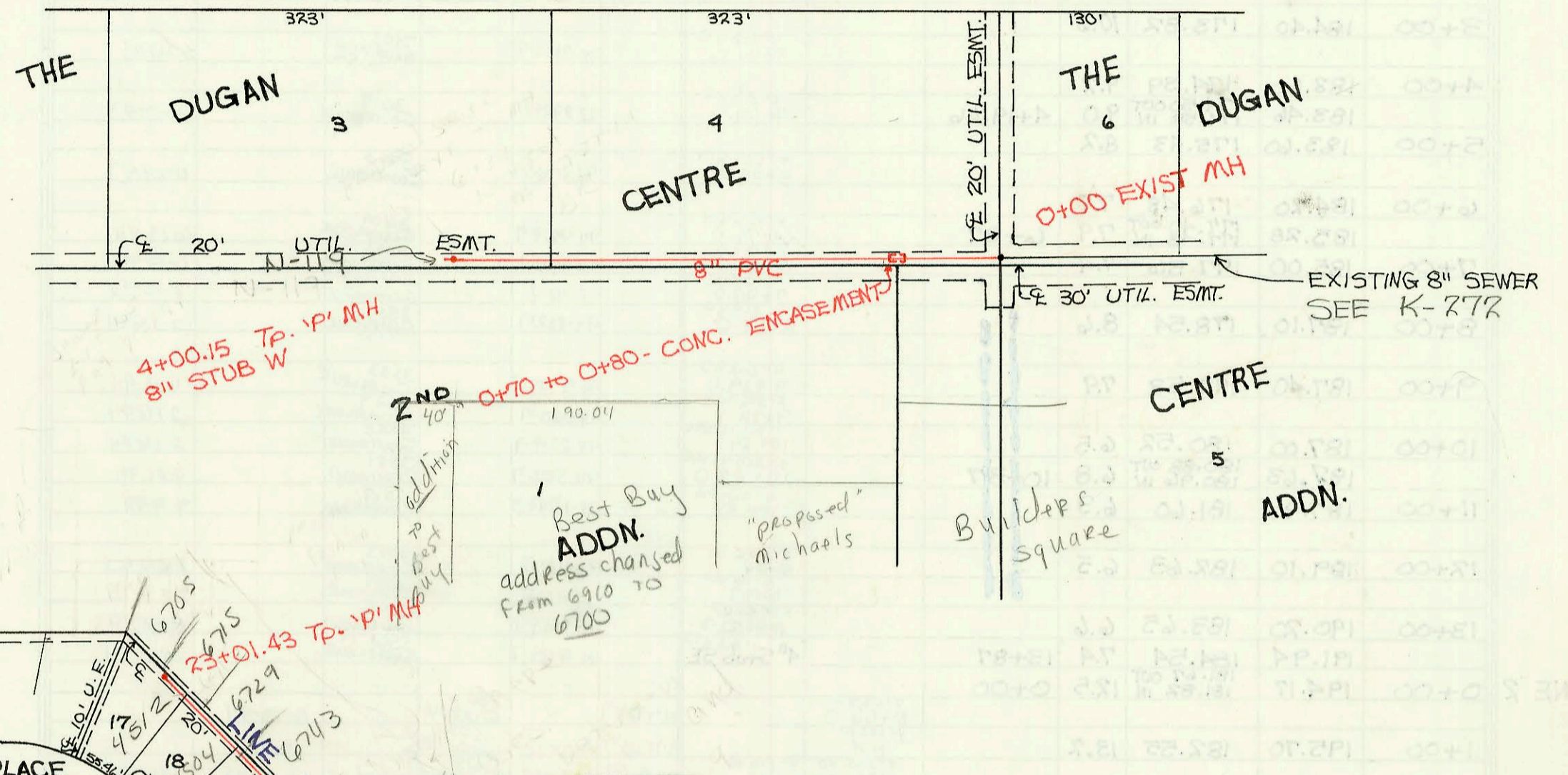


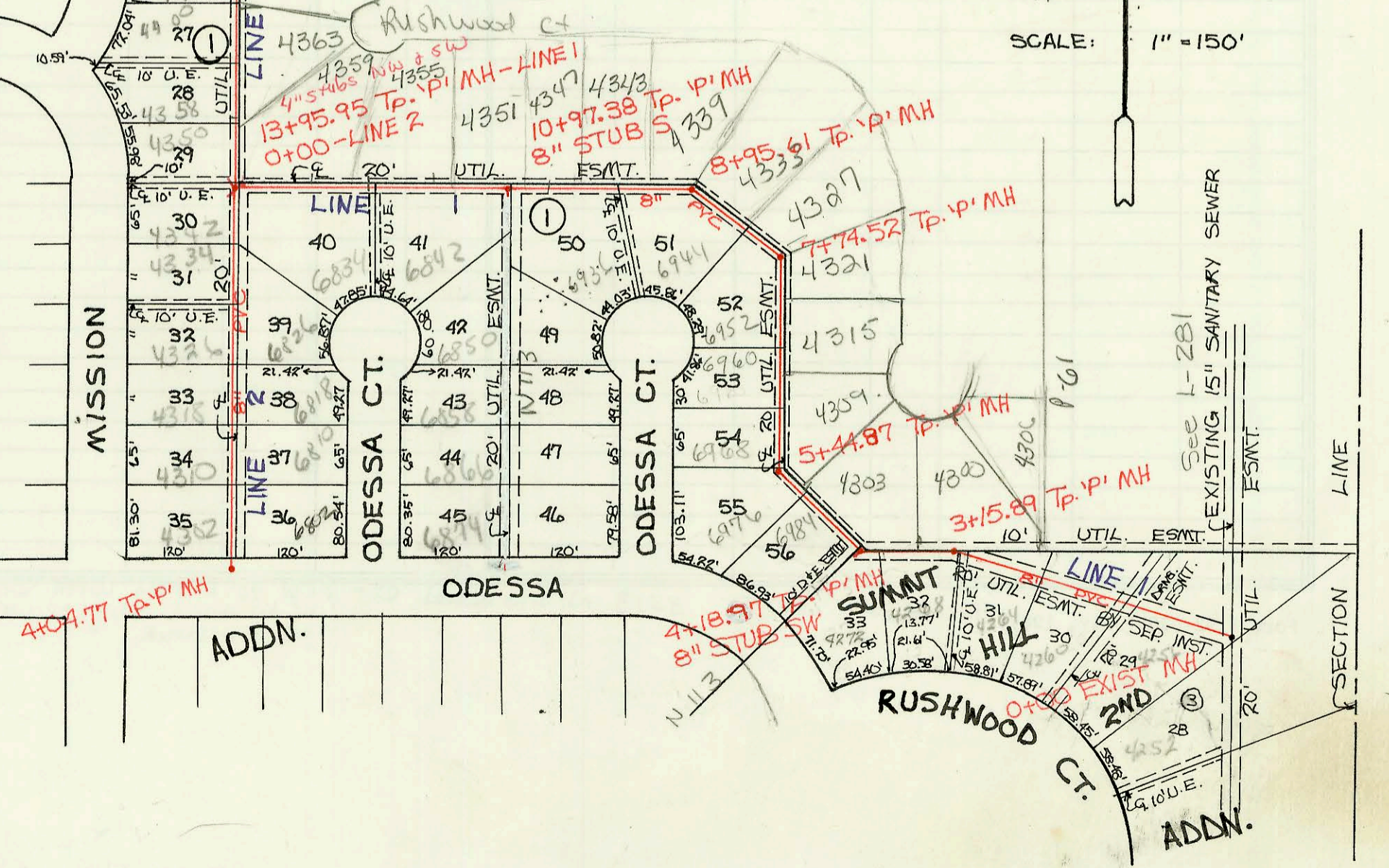
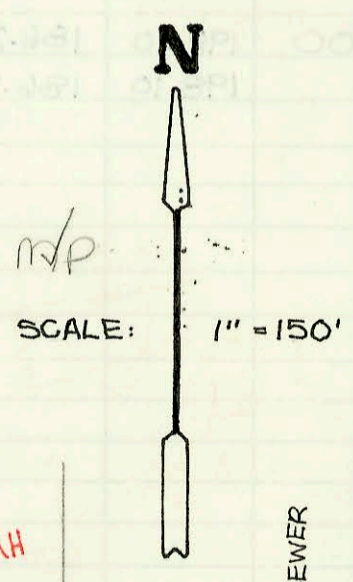
PRIVATE SANITARY SEWER TO SERVE BEST BUY
PRIV. PROJ. NO. 409 PPS (607861)
BUILT BY W. B. CARTER CONST. CO.
BOOKED 11-5-93 FROM AS BUILTS



TAFT



PRIVATE SANITARY SEWER TO SERVE
SUMMIT HILL - PHASE II
PRIV. PROJ. NO. 393 PPS (607861)
BUILT BY NOWAK CONSTRUCTION CO.
BOOKED 11-12-93 FROM AS BUILTS



CONSTRUCTION RECORD						SERVICE RECORD							
STATION	ELEVATION		Depth	MANHOLE	4-INCH "Y" BRANCHES		No. of Permit		House Number		DATE OF PERMITS		
	Ground	Grade			North West	South East	North West	South East	North West	South East	North West	South East	
Private Sanitary Sewer To Serve Best Buy													
0+00	181.30	113.49 OUT 113.61 IN	7.8	0+00		4" SCH 40 0+24.5		9414887		6700 W Kellogg	#6610	9-1-94	
1+00	181.80	114.02	7.9										
2+00	182.70	114.44	8.3			4" SCH 40 2+26.2		72-2882		67110 Kellogg	8201 Best Buy	11-4-93	
3+00	183.70	114.86	8.8										
4+00	185.70	115.28	10.4										
	185.71	115.28	10.4	4+00.15	8" Stub W								
Private Sanitary Sewer To Serve Summit Hill - Phase II													
0+00	187.00	178.90 OUT 179.60 IN	8.1	0+00				2967		4256 N Rushwood Ct		4-3-96	
1+00	183.90	179.98	3.9			1+07.07 PVC 4" SCH 40 1+79.66		2918		4260 Rushwood		11-17-95	
2+00	184.60	180.36	4.2			4" SCH 40 2+93.97	4" SCH 40 2+99.8	2000-01128	2852	4300 Rushwood	4264 Rushwood	5-4-00	6-26-95
3+00	187.70	180.74	6.9										
	187.70	180.85 OUT 180.87 IN	7.0	3+15.89		4" SCH 40 3+43.8			2862	4268 Rushwood			7-14-95
4+00	190.00	181.18	8.8										
	189.80	181.25 OUT 181.30 IN	8.6	4+18.97		4" SCH 40 4+63.5	8" Stub SW	2717		6984 Odessa			8-5-94
5+00	190.90	181.65	9.3			4" ABS 40 5+39.37		2769		6976 Odessa			12-27-94
	191.00	181.85 OUT 181.90 IN	9.2	5+44.87		4" ABS 40 5+46.8		2712		6968 Odessa			8-4-94
6+00	190.60	182.22	8.4					2002-00128		4315 Rushwood			1-14-02
						4" PVC 40 6+54.87		2780		6960 Odessa Ct			2-27-95
7+00	189.40	182.79	6.6			4" S.O.R. 35 7+19.52		2768	2002-00127	6952 Odessa	4321 Rushwood	12-16-94	1-14-02
	190.00	183.22 OUT 183.35 IN	6.8	7+74.52				8002-02198		4321 Rushwood			9-11-02
8+00	190.30	183.40	6.9			4" SCH 40 8+53.61				4323 Rushwood			2-8-00
	191.00	183.60 OUT 183.70 IN	7.4	8+95.61									
9+00	192.10	183.72	8.4			4" SCH 40 9+13.1 Saddle	4" PVC 40 9+01.61	2900	2722	4327 Rushwood	6944 E Odessa Ct		8-16-94
						4" SCH 40 9+84.6 Saddle		2001-00074		4343 N Rushwood			1-10-01
10+00	193.20	184.17	9.0			4" SCH 40 10+70.38	4" PVC 40 10+33.38 (10)	2000-02112	2721	4347 Rushwood	6936 Odessa	9-25-00	8-16-94
	193.90	184.60 OUT 184.65 IN	9.3	10+97.38		4" SCH 40 11+25.4 Saddle	8" Stub S	2001-00075		4351 N Rushwood			1-10-01
11+00	194.30	184.66	9.6						2723		6942 E Odessa Ct		8-16-94
						4" SCH 40 PVC 11+97.38 Saddle	4" PVC 40 11+63.38	2001-00715	2723	4355 N Rushwood	6842 E Odessa Ct	3-30-01	8-16-94
12+00	195.90	184.98	10.9										
						4" SCH 40 13+40.9 Saddle	4" SCH 40 12+97.3	2001-00076	2821	4359 N Rushwood	6834 Odessa	1-10-01	5-24-95
13+00	197.90	185.29	12.6										
	199.50	185.65 OUT 185.65 IN	13.9	13+95.95	4" SCH 40 13+95.95	4" SCH 40 13+95.95	4" Stub NW	2653	2585	4360 N Mission	4342 Mission	4-8-94	12-7-93
14+00	199.50	185.67	13.8										
						14+70-4" Riser W. 190.60			2718	4358 Mission			8-5-94
15+00	200.50	186.06	14.4					2001-01090		4363 N Parkwood			5-3-01
						15+35-4" Riser W. 190.60		2724		4400 N Mission			8-23-94
16+00	201.30	186.45	14.9										
	201.00	186.66 OUT 186.71 IN	14.3	16+55.03		4" SCH 40 16+55.03	4" Stub NW	2622		4416 Mission			2-18-94
17+00	201.60	186.95	14.7			4" SCH 40 SW 17+30-4" Riser W. 194.60	4" SCH 40 16+27 Saddle	2660	3502	4408 Mission	4367 Rushwood	5-9-94	4-12-99
						17+30-4" Riser W. 194.60	4" SCH 40 17+22.63	2652	2000-01533	4424 Mission	4433 N Rushwood	4-8-94	6-28-00
18+00	201.50	187.49	14.0					2000-02104		4439 Rushwood			7-22-00
						18+56.8		2659		4432 Mission			3-17-94
19+00	200.40	188.02	12.4					2000-01524		4441 N Rushwood			6-28-00
	200.40	188.11 OUT 188.21 IN	12.3	19+16.89		4" SCH 40 19+12.89	4" Stub SW	2659		4400 Mission			10-26-94
20+00	202.40	189.00	13.4			20+00-4" Riser SW. 194.60	4" SCH 40 19+41.85	99-01385	3260	6803 E 4420	6757 E 4420	1-15-00	1-4-99
21+00	206.10	189.96	16.1			20+75-4" Riser SW. 195.60							
						21+40-4" Riser SW. 195.60	4" SCH 40 21+36.4 Saddle	2623	99-00870	4456 Mission	6743 4420	2-18-94	10-8-94
22+00	204.60	190.91	13.7			21+83.4 TAP		2607	3271	4464 Mission	6729 E 4420	2-15-94	2-13-99
						22+25.4		2651		4504 Mission			4-8-94
23+00	203.00	191.87	11.1			4" ABS SCH 40 22+93.43	4" SCH 40 22+92 Saddle	2711	3368	4512 N Mission	6715 E 4420	8-4-94	8-31-98
	203.00	191.88	11.1	23+01.43									
LINE 2													
0+00	199.50	185.60 OUT 185.70 IN	13.9	0+00		4" SCH 40 0+97 TAP		2637		4334 N Mission			3-15-94
1+00	199.50	186.46	13.0										
2+00	199.50	187.23	12.3			4" SCH 40 2+20.0	4" PVC 40 1+99.7	2635	2804	4326 Mission	6826 Odessa	3-15-94	3-30-95
3+00	199.90	187.99	11.9			4" SCH 40 3+05.7	4" SCH 40 2+88.17	2692	2898	4310 Mission	6810 N Odessa Ct	6-30-94	10-10-95
4+00	199.60	188.75	10.9			4" SCH 40 3+35.7	4" SCH 40 3+71.7	2720	2725	4304 Mission	6802 E Odessa Ct	8-16-94	8-23-94
	198.22	188.79	9.4	4+04.77									

Form #192-020 (July, 1981)

2597 12-21-93 4448 N Mission - Augusta Pkwy - TAP 20+30.9
 SWP 2003-02040 86603 6700 W Kellogg (Best Buy) P. odd. Root 2