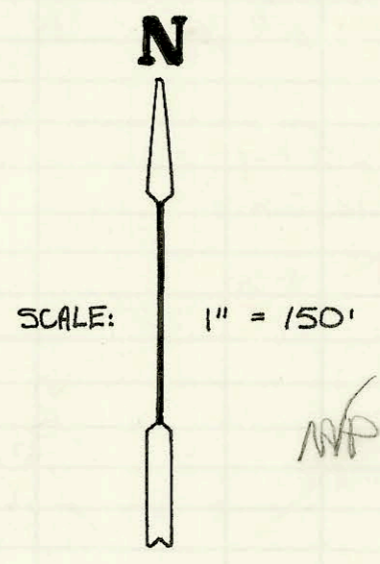
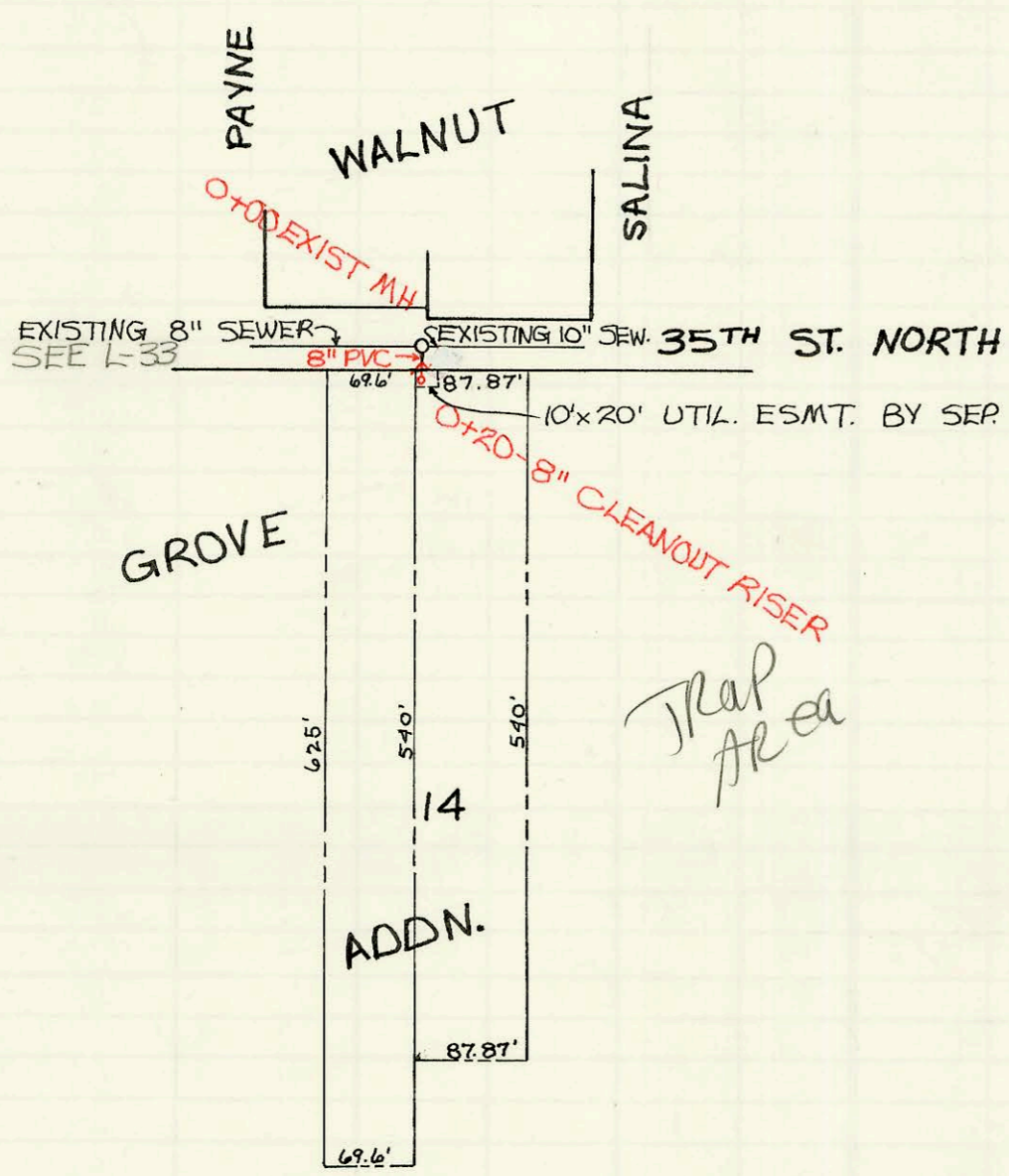
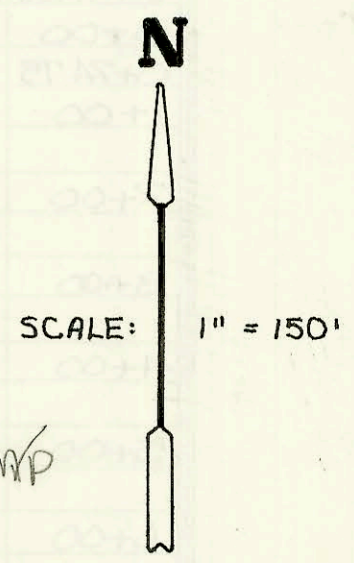
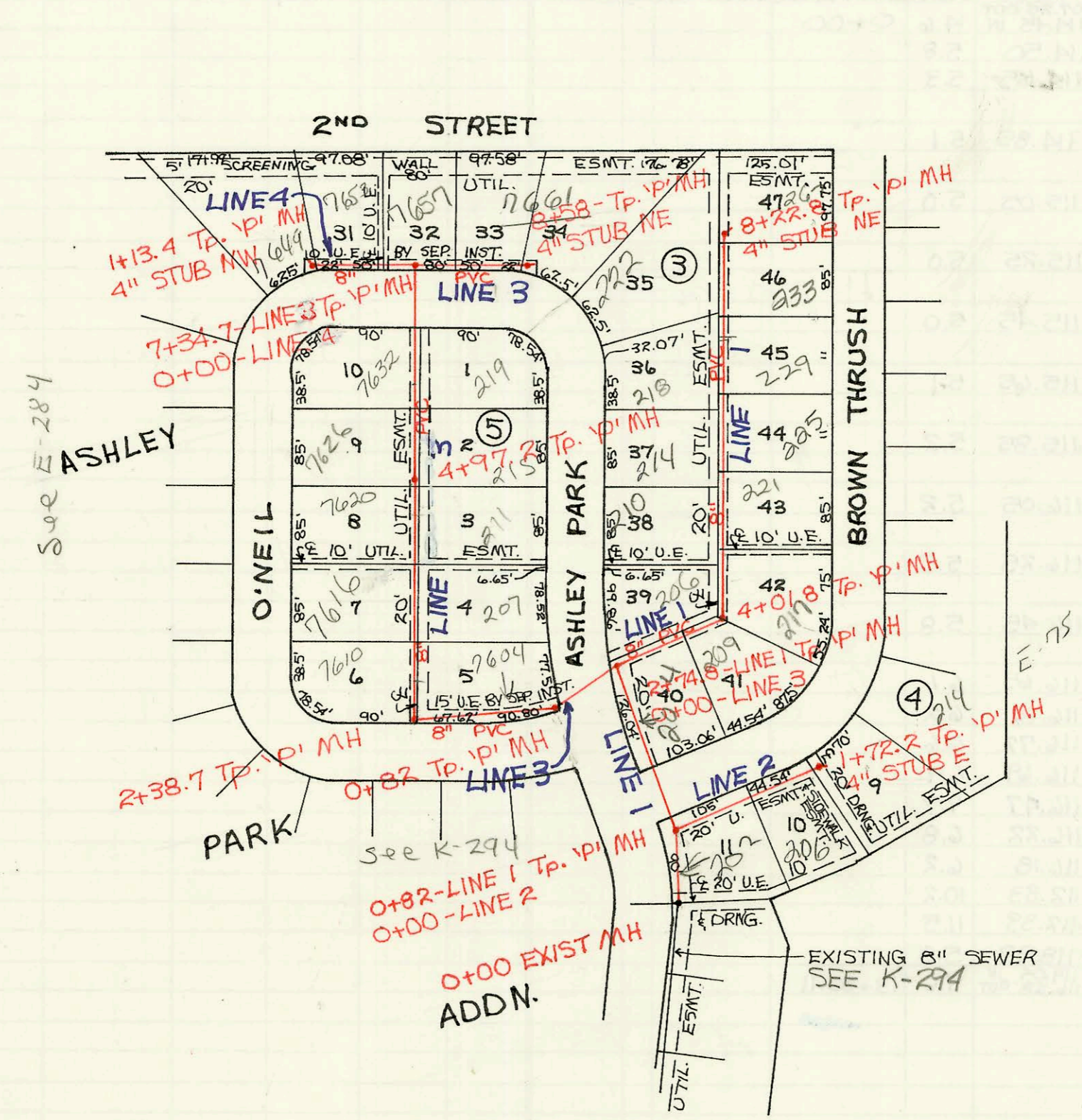


LATERAL 47, MAIN 4, SOUTHWEST INTERCEPTOR SEWER
PROJ. NO. 468-81895 (741579)
BUILT BY UTILITY CONTRACTORS
BOOKED 1-27-94 AS PER PLAN



PRIVATE SANITARY SEWER EXTENSION TO
SERVE 1303 W. 35TH ST. NORTH
PRIV. PROJ. NO. 413 PPS (607861)
BUILT BY MIES CONSTRUCTION CO.
BOOKED 2-8-94 FROM AS BUILTS

CONSTRUCTION RECORD						SERVICE RECORD						
STATION	ELEVATION		Depth	MANHOLE	4-INCH "Y" BRANCHES		No. of Permit		House Number		DATE OF PERMITS	
	Ground	Grade			North West	South East	North West	South East	North West	South East	North West	South East
Lateral 47 Main 4 Southwest Interceptor Sewer												
LINE 1	0+00	144.35	135.20 OUT 135.30 IN	9.2	0+00			96-19685		209 N Ashley		11-1996
		146.60	135.63 OUT 135.73 IN	11.0	0+00-LINE 2 0+82							
	1+00	146.40	135.80	10.6								
	2+00	146.60	136.70	10.4								
		147.30	136.50 OUT 136.60 IN	10.8	0+00-LINE 3 2+74.8							
	3+00	147.00	136.70	10.3				99-5327		204 N Ashley		1-6-99
						4" SCH 40 3+92.8		99-00644		209 N Braintree		9-13-99
	4+00	146.70	137.10	9.1		4" SCH 40 4+29.8	99-00644	2006-02-836		210 N Braintree	9-7-99	4-4-00
		146.70	137.11 OUT 137.21 IN	9.1	4+01.8	4+68.8	94-49507	99-119317		210 N Ashley	4-5-94	6-3-99
	5+00	146.80	137.60	9.2						214 N Ashley		4-29-94
						4" SCH 40 5+91.8		94-62387				
	6+00	147.40	138.00	9.4								
						4" SCH 40 6+26.8		2000-01-688		225 Braintree		7-24-00
	7+00	147.90	138.40	9.5				97-139077		218 Ashley		8-13-97
						4" SCH 40 7+07 Saddle		8001-01-231		229 Braintree		7-24-01
	8+00	148.50	138.80	9.7		4" SCH 40 8+74.8		94-16027	2001-02-356	222 Ashley	9-30-94	9-20-01
		148.60	138.89	9.7	8+72.8			99-00645		227 Braintree		9-13-99
LINE 2	0+00	146.60	135.63 OUT 135.73 IN	11.0	0+00-LINE 1 0+00					206 N Braintree		1-10-2000
						4" SCH 40 1+03		2000-00-45				
	1+00	146.10	136.13	10.0						210 N Braintree		6-5-98
		145.80	136.42	9.4	1+72.2			99-66667				
LINE 3	0+00	147.30	136.50 OUT 136.60 IN	10.8	2+74.8-LINE 1 0+00							
		147.80	136.93 OUT 137.03 IN	10.9	0+82							
	1+00	147.50	137.73	10.3		1+21.6		95-76247		7604 O'Neil		5-22-95
	2+00	148.70	138.36	10.3								
		148.60	138.80 OUT 138.90 IN	9.8	2+38.7	4" SCH 40 PVC 2+72.2		94-129457		7610 W O'Neil		8-9-94
	3+00	149.90	139.59	10.3		4" SCH 40 3+55.2	4" SCH 40 3+47.2	95-13154	96-18787	7616 O'Neil	207 N Ashley	8-21-95
						4" SCH 40 4+12.2	4" SCH 40 4+32.8	94-96357	95-25727	7620 W O'Neil	211 N Ashley	6-21-94
		152.00	141.82	10.2	4+97.2	4" SCH 40 4+72.2		96-16767		7626 O'Neil		10-7-96
	5+00	152.00	141.85	10.2		4" SCH 40 5+20.2		95-138707		7630 O'Neil	215 N Ashley	8-30-95
						4" SCH 40 6+06.7	4" SCH 40 6+21.1	94-94217	94-11985	7632 W O'Neil	219 N Ashley Park St	6-16-94
	7+00	155.00	144.11	10.9								
		155.60	144.50 OUT 144.60 IN	11.1	0+00-LINE 4 7+34.7			98-188947		7657 O'Neil		10-2-98
	8+00	155.00	145.08	9.9		4" SCH 40 8+13.0		96-11047		7661 O'Neil		7-2-96
		154.90	145.50	9.4	8+58	4" Stub NE						
LINE 4	0+00	155.60	144.50 OUT 144.60 IN	11.1	0+00			99-159807		7653 O'Neil		5-27-99
	1+00	155.90	145.00	10.9								
		156.00	145.05	11.0	1+13.4	4" Stub NW		95-187137		7649 O'Neil		11-13-95
Private Sanitary Sewer Extension To Serve 1303 W. 35th St. North												
	0+00	130.81	124.46 OUT 125.00 IN	6.4	0+00							
	0+20	130.15	125.17	5.0		4" Wye SE 4" Wye SW						