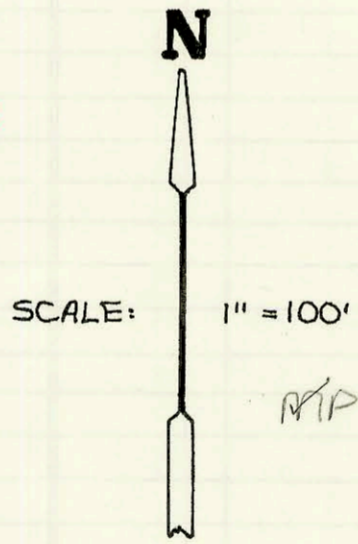
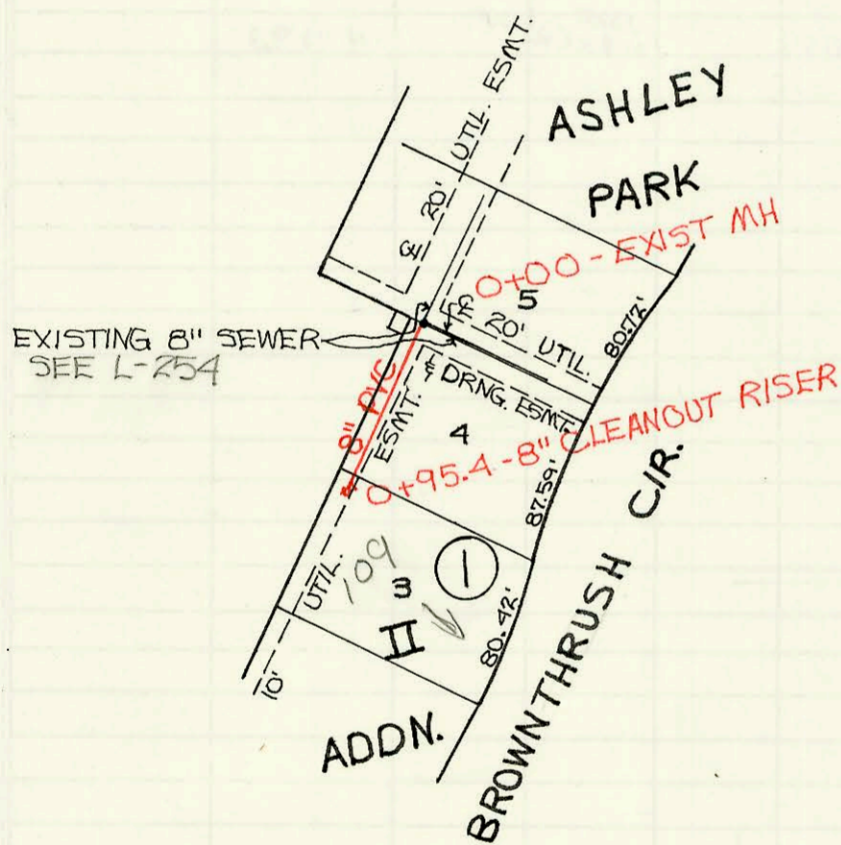
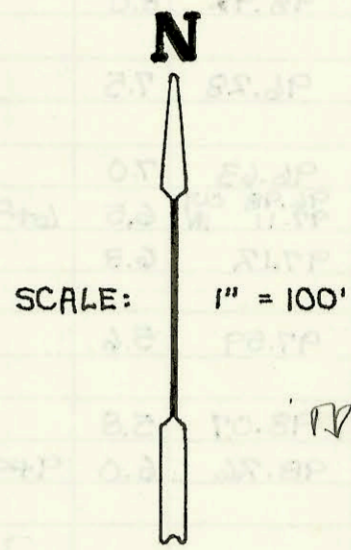
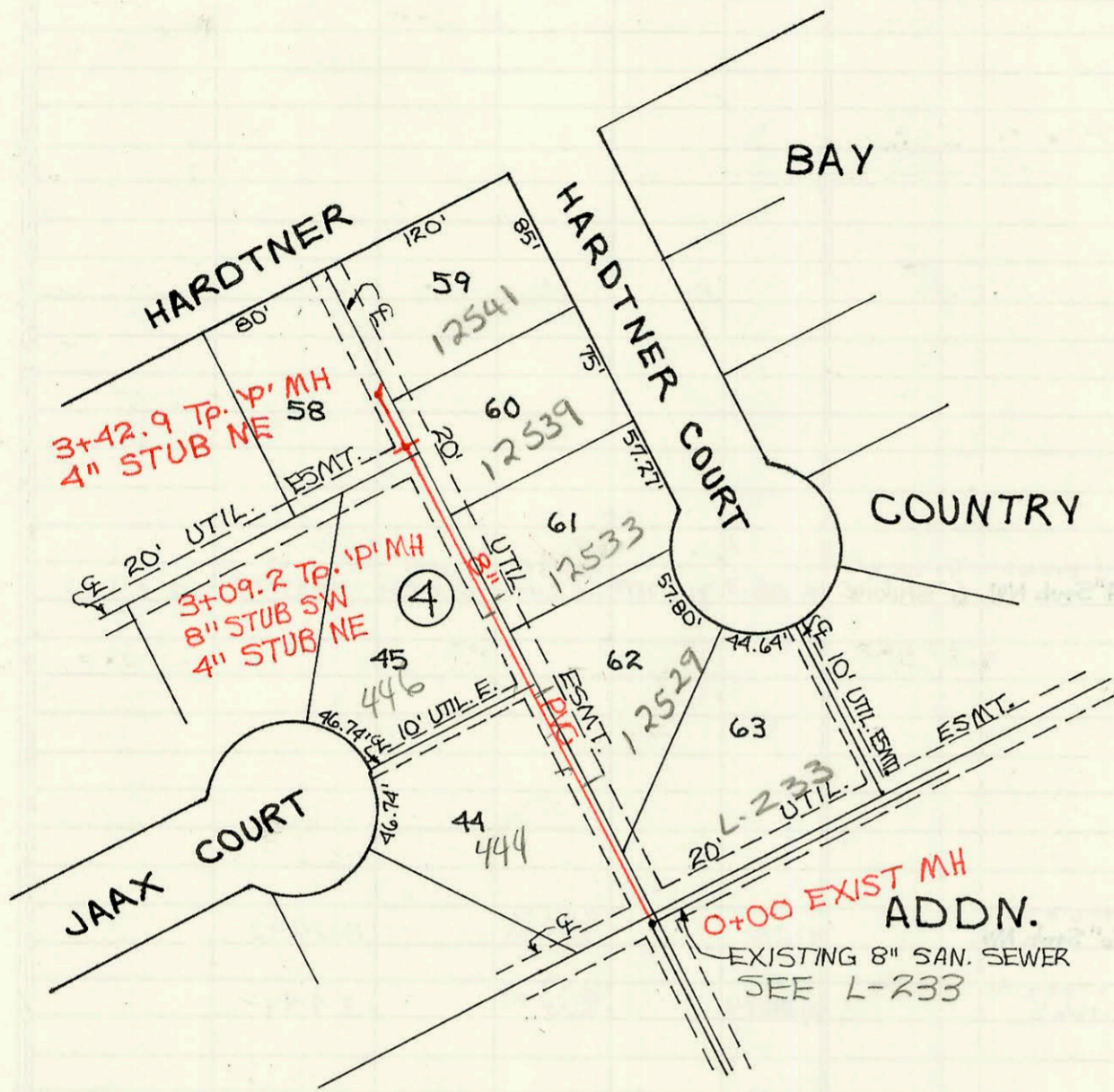


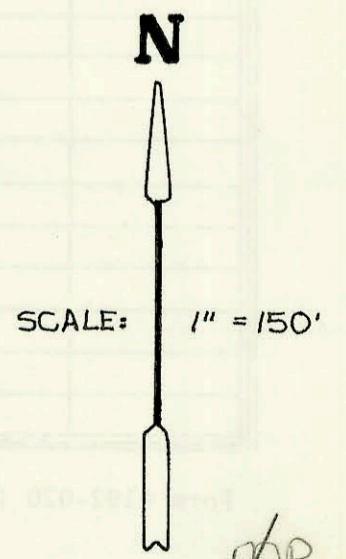
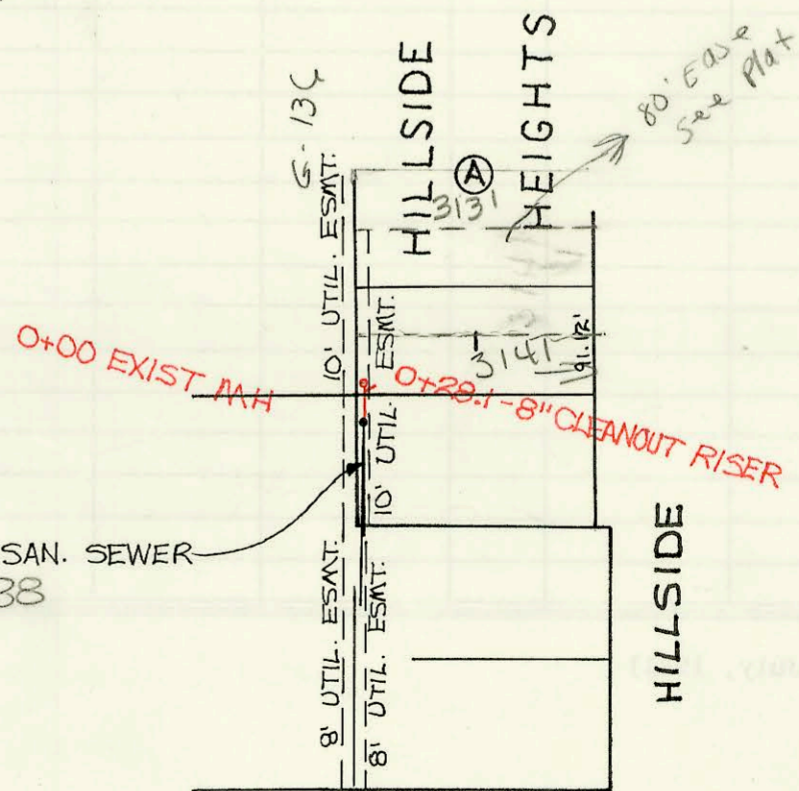
PRIVATE SANITARY SEWER EXTENSIONS TO SERVE BAY COUNTRY - PHASE II
PRIV. PROJ. NO. 385 PPS (607861)
BUILT BY COMPLETE SEPTIC
BOOKED 2-14-94 FROM AS BUILTS



PRIVATE SANITARY SEWER EXTENSION TO SERVE ASHLEY PARK II ADDN., LOT 3, BLOCK I
PRIV. PROJ. NO. 418 PPS (607861)
BUILT BY LUBBERS EXCAVATING
BOOKED 2-15-94 FROM AS BUILTS

PRIVATE SANITARY SEWER EXTENSION TO SERVE LOT 1, BLOCK A, HILLSIDE HEIGHTS ADDN.
PRIV. PROJ. NO. 437 PPS (607861)
BUILT BY MIES CONST. CO.
BOOKED 2-16-94 FROM AS BUILTS

EXISTING 8" SAN. SEWER SEE G-88



31ST ST. SOUTH

CONSTRUCTION RECORD						SERVICE RECORD							
STATION	ELEVATION		Depth	MANHOLE	4-INCH "Y" BRANCHES		No. of Permit		House Number		DATE OF PERMITS		
	Ground	Grade			North West	South East	North West	South East	North West	South East	North West	South East	
Private Sanitary Sewer Extensions To Serve Bay Country - Phase II													
0+00	153.38	139.43 OUT 140.73 IN	14.0	0+00	0+30 - 4" Riser NE 147.30								
1+00	154.90	141.16	13.7	1+00	5gm Bangle, cont. with installed main riser were installed 2-24-94	0+90 - 4" Riser NE 147.10	4" SDR 35 1+21.2	77-15627	94-2431-7	444 N Tad Ct	12529 Harding St	9-2-97	2-24-94
2+00	155.00	141.58	13.4	2+00	installed 2-24-94	2+00 - 4" Riser NW 147.00	4" SDR 35 2+04.2	77-1416-9	94-2432-7	446 N Tad Ct	12533 Harding St	8-12-97	2-24-94
3+00	154.40	142.01	12.4										
	154.66	142.05	12.6	3+09.2	8" Stub SW	4" SDR 35 SOR 35			94-2434-7		12539 Harding St		2-24-94
	154.92	142.17	12.8	3+42.9		4" STUB NE			94-2435-7		12541 Harding St		2-24-94
Private Sanitary Sewer Extension To Serve Ashley Park II Addn., Lot 3, BIK.1													
0+00	140.90	133.44 OUT 135.70 IN	7.5	0+00									
0+95.4	140.75	136.08	4.7			4" SDR 35 4" Wye SE			93-2085-7		109 S. Brown St		12-1-93
Private Sanitary Sewer Extension To Serve Lot 1, BIK. A, Hillside Heights Addn.													
0+00	100.26	88.38 OUT 90.65 IN	11.9	0+00									
0+28.1	100.75	91.59	9.2	clean out 0+28.1		4" SDR 35 4" Wye NE			93-2957-7		314 S. Hillside		11-12-93