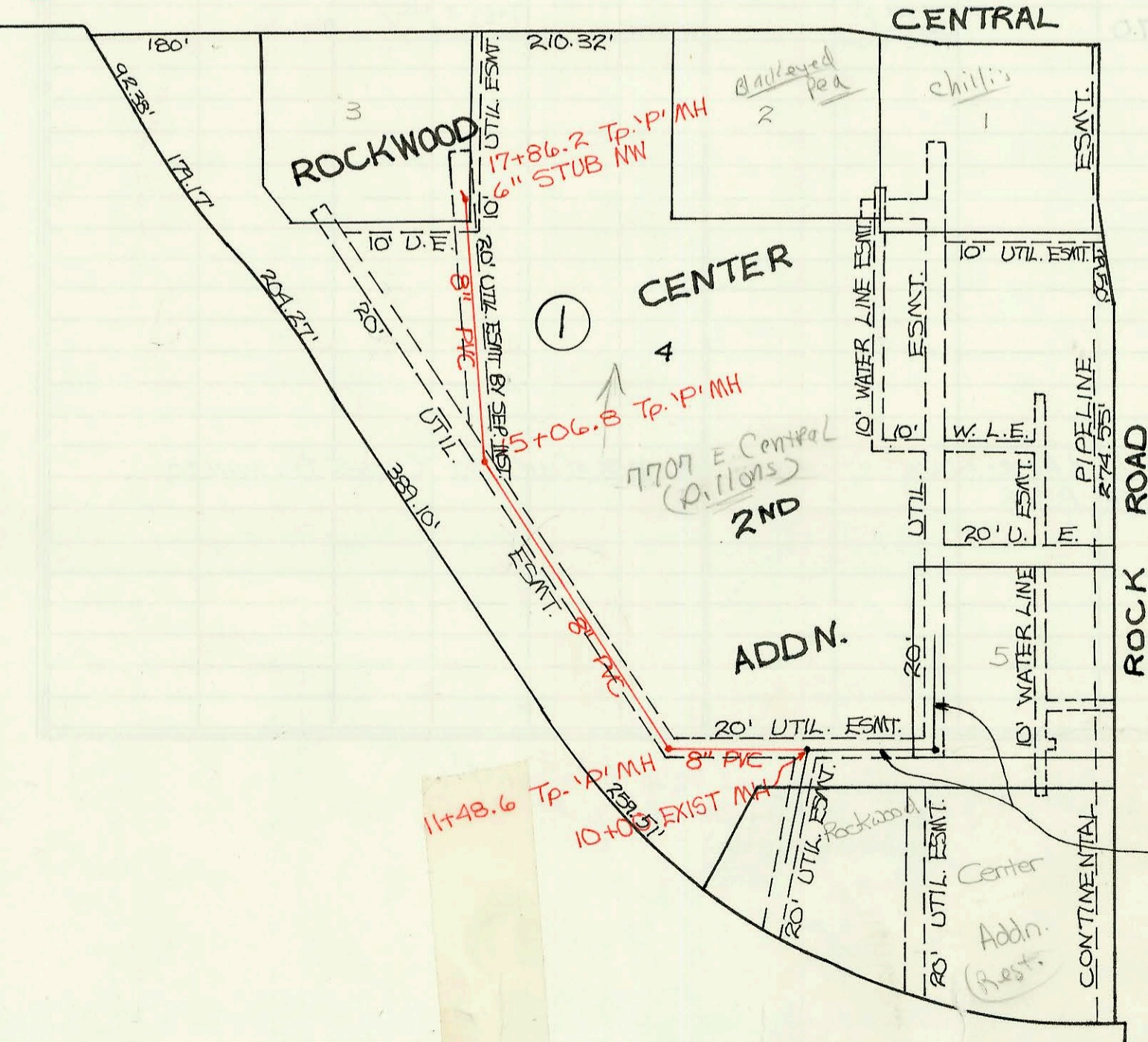
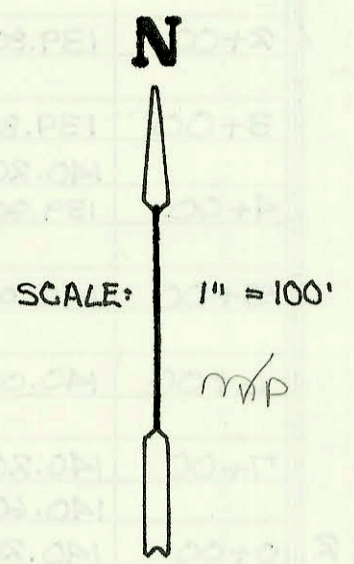
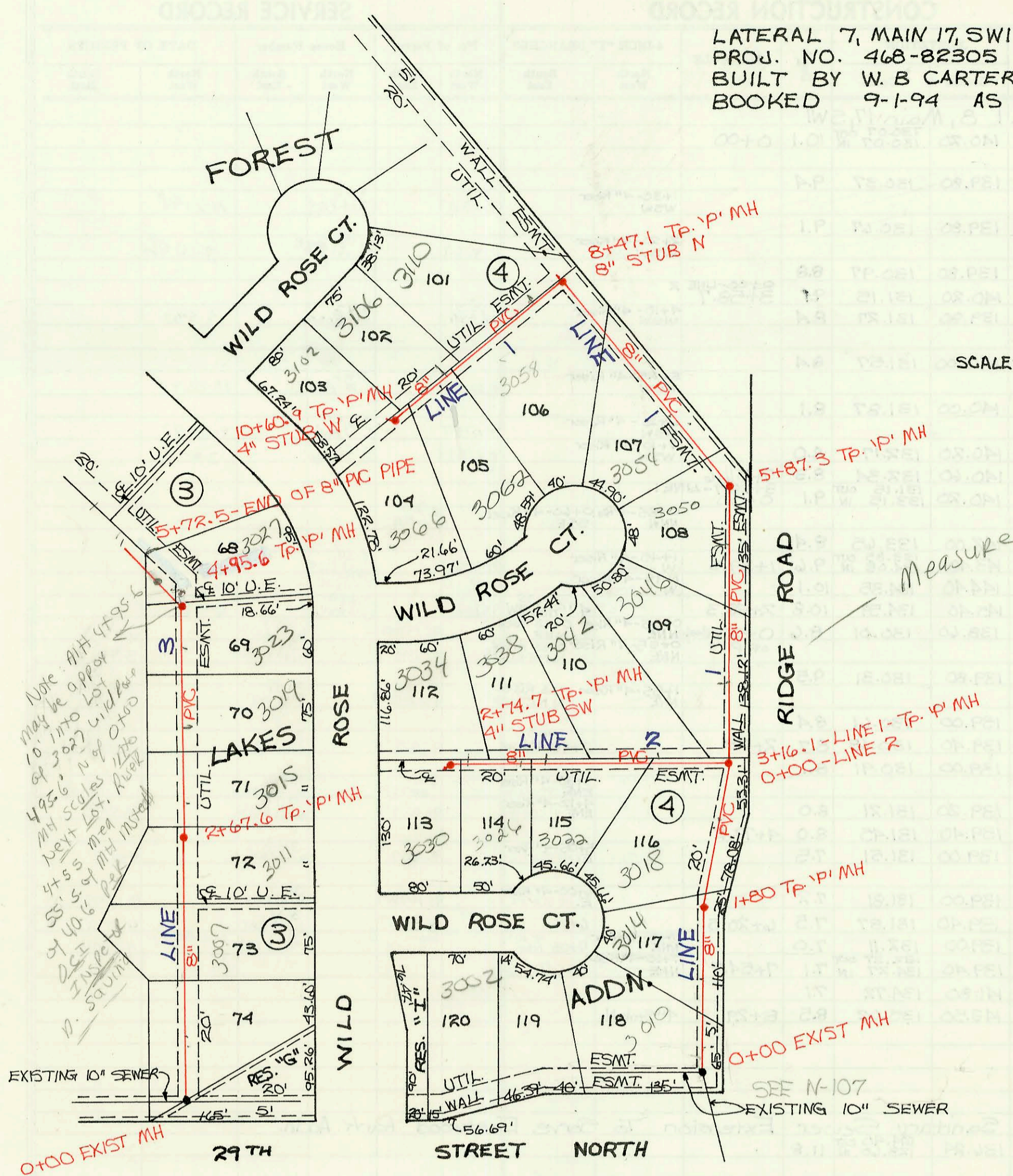
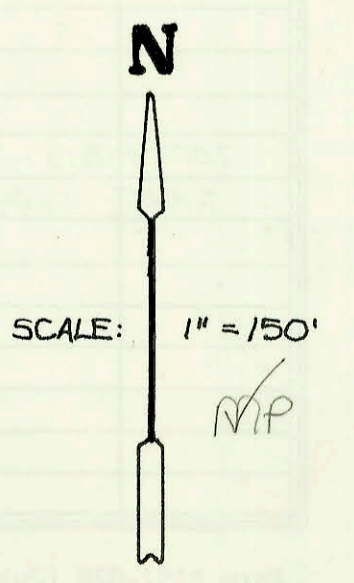


LATERAL 7, MAIN 17, SWI
PROJ. NO. 468-82305 (741835)
BUILT BY W. B. CARTER CONST. CO.
BOOKED 9-1-94 AS PER PLAN



PRIVATE SANITARY SEWER
TO SERVE LOT 4, BLOCK 1
ROCKWOOD CENTER 2ND ADDN.
PRIV. PROJ. NO. 465 PPS (607861)
BUILT BY W. B. CARTER CONST. CO.
BOOKED 9-6-94 FROM AS BUILTS



LATERAL FOR SWI (LEFT) STOPS ON LOSS

CONSTRUCTION RECORD						SERVICE RECORD						
STATION	ELEVATION		Depth	MANHOLE	4-INCH "Y" BRANCHES		No. of Permit		House Number		DATE OF PERMITS	
	Ground	Grade			North West	South East	North West	South East	North West	South East	North West	South East
LINE 1	Lateral 7, Main 17, SWI											
	0+00	139.49	127.36 OUT 127.53 IN	12.1	0+00	0+10-4" Riser W.		79-100 658	3010 Wild Rose Ct		9-14-99	
	1+00	138.80	127.83	11.0		1+10-4" Riser W.		2003 02421	3014 Wild Rose Ct		9-19-03	
		139.20	128.07	11.1	1+80							
	2+00	138.90	128.13	10.8		2+60-4" Riser W.		99-55557	3018 Wild Rose Ct		3-19-99	
	3+00	139.20	128.43	10.8								
		139.60	128.48	11.1	0+00-LINE 2 3+16.1							
	4+00	139.40	128.73	10.7		3+90-4" Riser W.		79-00618	3046 Wild Rose Ct		9-7-99	
	5+00	139.60	129.03	10.6		5+30-4" Riser W. 4" SCH 40		99-00662	3058 Wild Rose Ct		9-14-99	
		140.70	129.29	10.9	5+87.3							
6+00	139.80	129.33	10.5									
7+00	139.80	129.63	10.2		6+80-4" Riser WSW		98-90677	3054 Wild Rose Ct		5-21-98		
8+00	139.80	129.93	9.9									
	140.20	130.07 OUT 132.07 IN	10.1	8+47.1								
9+00	141.60	132.59	9.0		8" Stub N 8+85-4" Riser WNW 9+95-4" Riser WNW 10+55-4" Riser WNW	8+95-4" Riser SSE 4" SCH 40 9+10-4" Riser SSE 4" SCH 40 10+55-4" Riser SSE 4" SCH 40	99-11445 99-11445 99-11445	3114 Wild Rose Ct 3058 Wild Rose Ct 3052 Wild Rose Ct 3080 Wild Rose Ct		12-7-99 9-2-94 1-12-00 11-8-00		
10+00	144.80	133.60	11.2									
	146.00	134.21	11.8	10+60.9	4" Stub W							
LINE 2	0+00	139.60	128.48 OUT 130.48 IN	11.1	0+00	0+70-4" Riser N. 4" SCH 40		2001 01271	3102 Wild Rose Ct		5-23-01	
1+00	142.40	131.68	10.7		1+30-4" Riser S. 4" SCH 40		95-32167	3042 Wild Rose Ct		3-9-95		
2+00	144.50	132.88	11.6		1+80-4" Riser N. 4" SCH 40		2000 02615	3022 Wild Rose Ct		11-30-00		
	145.40	133.78	11.6	2+74.7	2+55-4" Riser N. 4" SCH 40	2+05-4" Riser S. 4" SCH 40	96-11827	3038 Wild Rose Ct		8-19-96		
LINE 3	0+00	139.34	127.99 OUT 128.19 IN	11.4	0+00	0+60-4" Riser E.		98-15107	3030 Wild Rose Ct		2-2-98	
1+00	139.00	128.49	10.5									
2+00	139.00	128.79	10.2		1+50-4" Riser E. 4" SCH 40		96-8857	3037 Wild Rose Ct		1-25-96		
	139.40	128.99	10.4	2+67.6	2+20-4" Riser E. 4" SCH 40		96-92377	3011 N Wild Rose Ct		6-11-96		
3+00	139.00	129.09	9.9		3+00-4" Riser E. 4" SCH 40		96-97067	3015 Wild Rose Ct		11-19-96		
					3+75-4" Riser E.		98-3007	3019 Wild Rose Ct		2-19-98		
4+00	139.00	129.39	9.6									
	139.40	129.75 OUT 129.85 IN	9.7	4+95.6	4+55-4" Riser E. 4" SCH 40		95-69337	3023 Wild Rose Ct		5-10-95		
5+00	139.00	129.86	9.1		5+10-4" Riser E. 4" SCH 40		95-25307	3027 Wild Rose Ct		2-24-95		
5+72.5	139.00	130.01	9.0		end of pipe capped see 118							
Private Sanitary Sewer To Serve Lot 4, Block 1, Rockwood Center 2 ND Addition												
10+00	157.80	148.70 OUT 148.75 IN	9.1	10+00	4" C.I. 10+11.0		94-132547	7707 Central		8-22-94		
11+00	157.00	149.21	7.8									
	156.12	149.43 OUT 149.54 IN	6.7	11+48.6								
12+00	156.90	149.75	7.2		4" C.I. 12+82.6		94-132537	7707 Central		8-22-94		
13+00	159.20	150.14	9.1									
14+00	160.50	150.54	10.0									
15+00	159.30	150.94	8.4									
	159.02	150.97 OUT 151.04 IN	8.1	15+06.8								
16+00	159.00	151.38	7.6									
17+00	160.50	151.75	8.8									
	162.81	152.06	10.8	17+86.2	6" Stub NW							

Form #192-020 (July, 1981) 94-166877 10-14-94 7707 E. Central (ground water clean up - Tap 13+46.6 - 4" PVC 40 .14" fall)

95-69337 5-10-95 3023 Wild Rose - (Riser meas at 55' S. of MH instead of 40.6') 4" SCH 40

5/10/11 2011