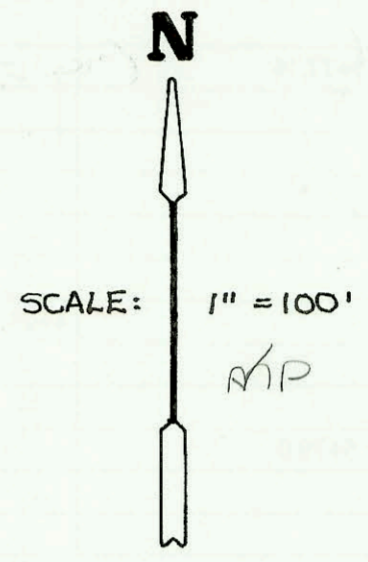
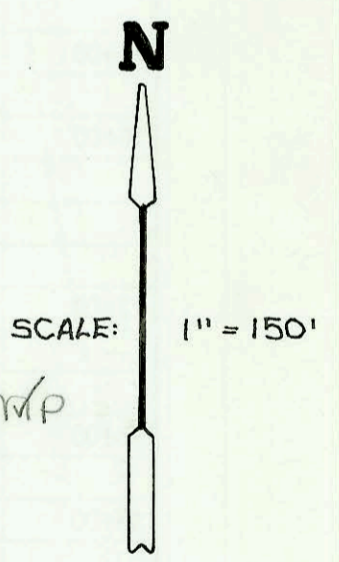
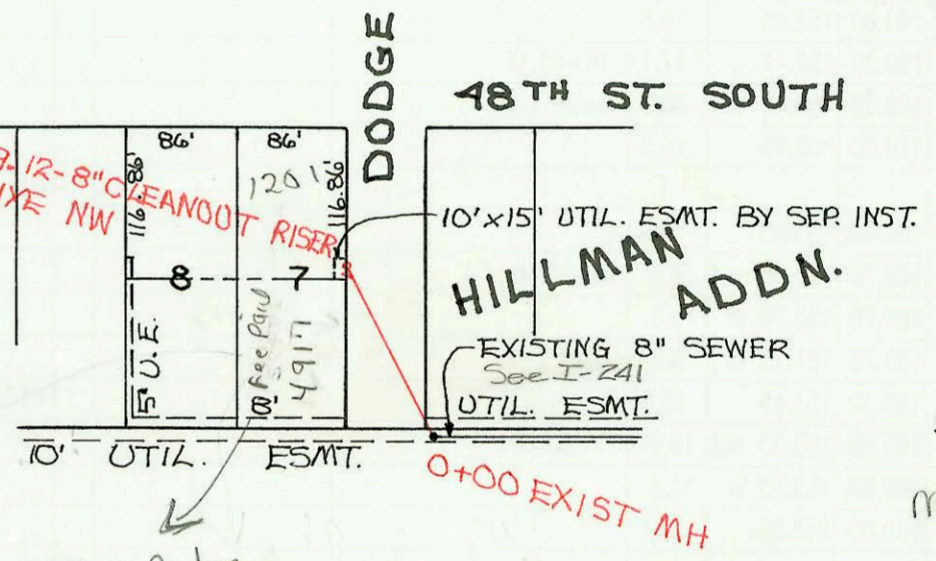


SEE I-209
EXISTING 8" SEWER

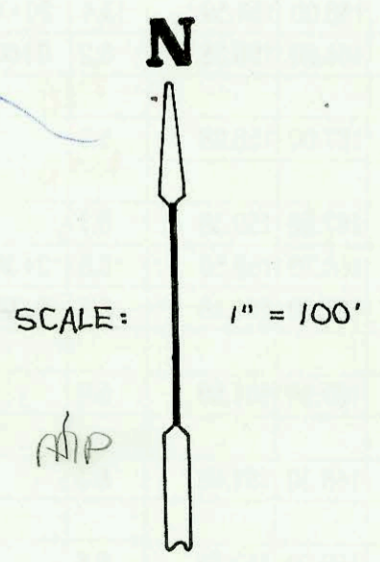
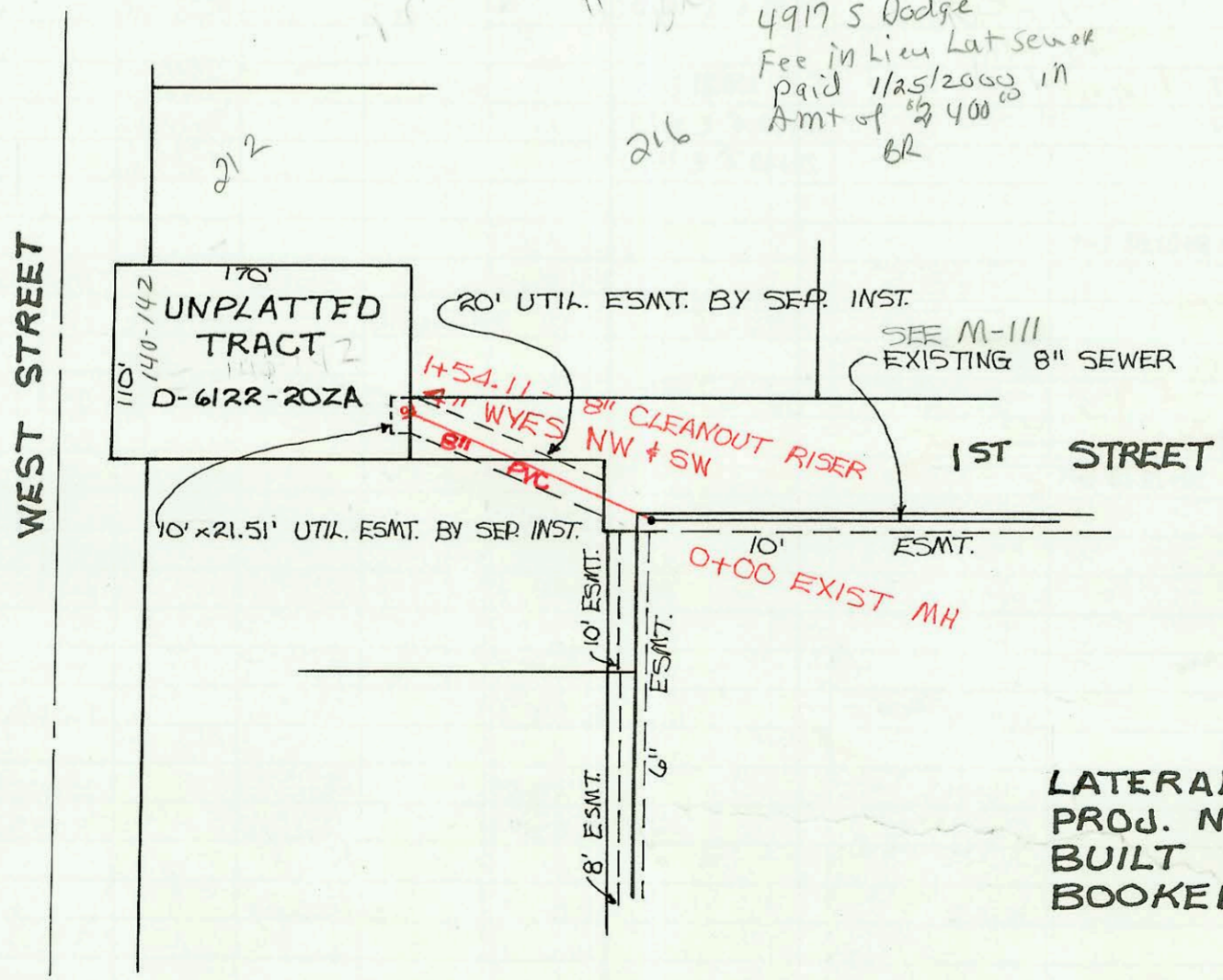
LATERAL 50, MAIN 7, SS# 23
PROJ. NO. 468-82404 (742049)
BUILT BY W. B. CARTER CONST. CO.
BOOKED 11-29-94 AS PER PLAN



LATERAL 50, MAIN 3, SWI
PROJ. NO. 468-82387 (741967)
BUILT BY W. B. CARTER CONST. CO.
BOOKED 11-30-94 AS PER PLAN



4917 S Dodge
Fee in Lieu Lat Sewer
paid 1/25/2000 in
Amt of \$3400
BR



LATERAL 154, S.S.# 22
PROJ. NO. 468-82395 (741942)
BUILT BY MIES CONST. CO.
BOOKED 11-30-94 AS PER PLAN

| CONSTRUCTION RECORD | | | | | | SERVICE RECORD | | | | | | |
|--|-----------|-------------------------|-------|-----------|----------------------------|----------------|---------------|---------------|------------------|-------------|-----------------|--------------------------------|
| STATION | ELEVATION | | DEPTH | MANHOLE | 4-INCH "Y" BRANCHES | | No. of Permit | | House Number | | DATE OF PERMITS | |
| | GROUND | GRADE | | | North West | South East | North West | South East | North West | South East | North West | South East |
| Lateral 50, Main 7, SS #23 | | | | | | | | | | | | |
| 0+00 | 211.85 | 205.05 OUT 205.10 IN | 6.9 | 0+00 | | | | | | | | |
| | | | | | 4" SCH 40 ABS 0+51.0 | | 75-2729-7 | | 3025 N Rock | | | 3-1-95 |
| 1+00 | 213.20 | 205.50 | 7.7 | | | | | | | | | |
| | 214.00 | 205.88 | 8.1 | 1+94.5 | 4" D.I.P. 6" stub SW | | 94-17370-7 | | 3015 N Rock | Below | | 10-26-94 |
| Lateral 50, Main 3, SW1 | | | | | | | | | | | | |
| 0+00 | 85.25 | 75.79 OUT 75.89 IN | 9.5 | 0+00 | | | | | | | | |
| 1+00 | 83.70 | 76.29 | 7.4 | | | | 79-17597 | | | | | |
| 1+49.12 | 83.98 | 76.47 | 7.5 | 1+49 c.o. | 4" sch 40 4" Wye NW | | 79-17627 | 2005 00229 | 1201 B w 48th | 407 Road | | 2-7-97 11-1-94 1-25-2000 |
| Lateral 154, SS #22 | | | | | | | | | | | | |
| 0+00 | 119.40 | 112.90 OUT 113.15 IN | 6.5 | 0+00 | | | | | | | | |
| 1+00 | 117.40 | 113.54 | 3.9 | | | | | | | | | |
| 1+54.11 | 117.71 | 113.74 | 4.0 | | 4" sch 40 PVC 4" WYE NW | 4" WYE SW | 94-18606-7 | | 140142 West | | | 11-4-94 |
| SWR 2003-03064 11/20/03 3025 N Rock Rd (Temp. S/O on hot) J-Hawk - Temp. S/O 35' from Mth. Sealed with Fernco Cap - will Reuse conn | | | | | | | | | | | | |
| SWR 2003-03389 12/23/03 3015 N Rock Rd (Chipotle's Mex Rest) J-Hawk p/ly Reconnect | | | | | | | | | | | | |
| SWR 2003-03360 12/23/03 3015 N Rock Rd (Chipotle's Mex Rest) J-Hawk p/ly Reconnect | | | | | | | | | | | | |