

# SANITARY SEWER EXTENSION

to serve

## Kimberly Addition CITY OF WICHITA, KANSAS

Gary Janzen, P.E. City Engineer

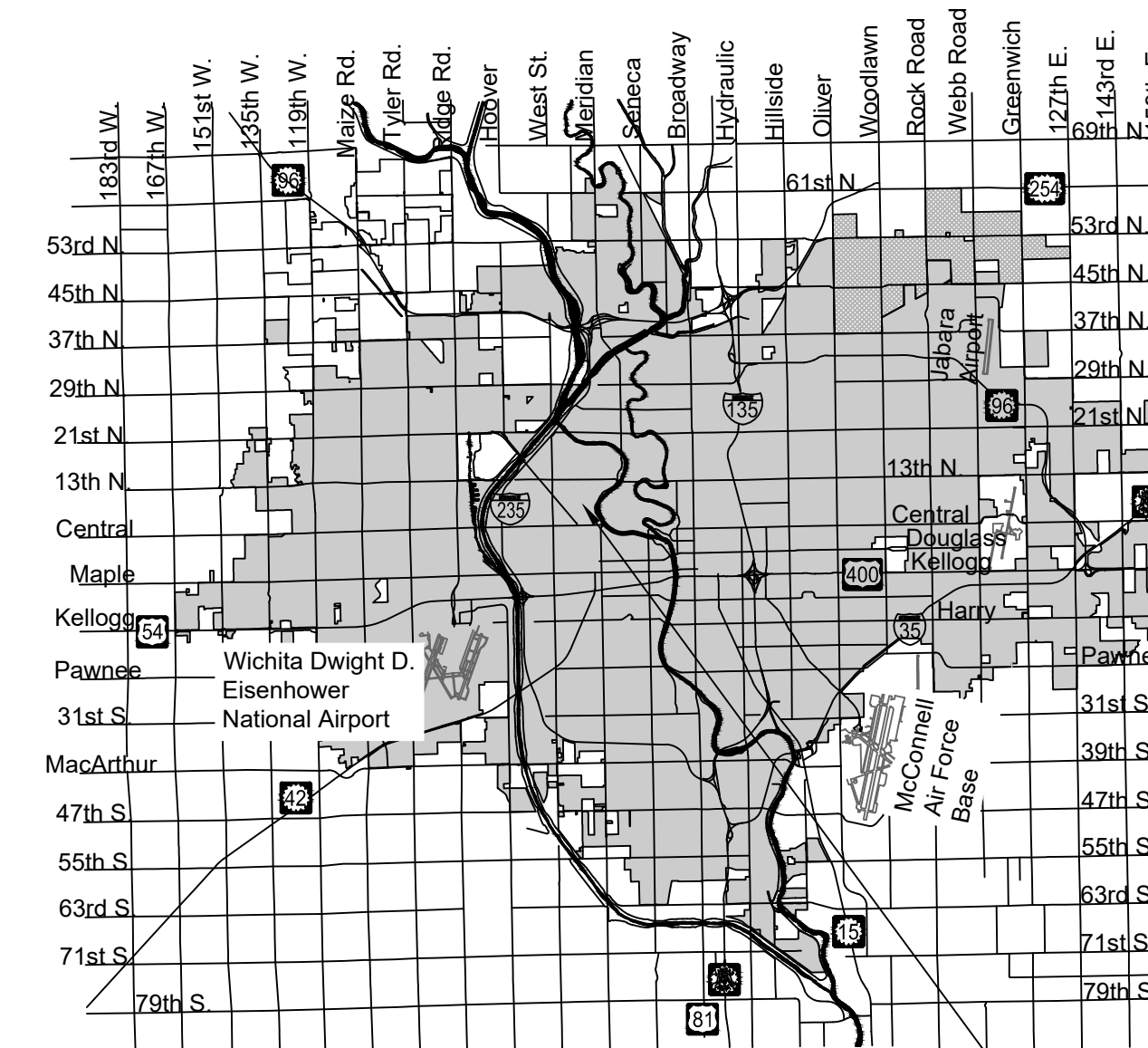
Project Number: 468-2021-022908

Org Code Number: 47264621

Munis Number: E1067

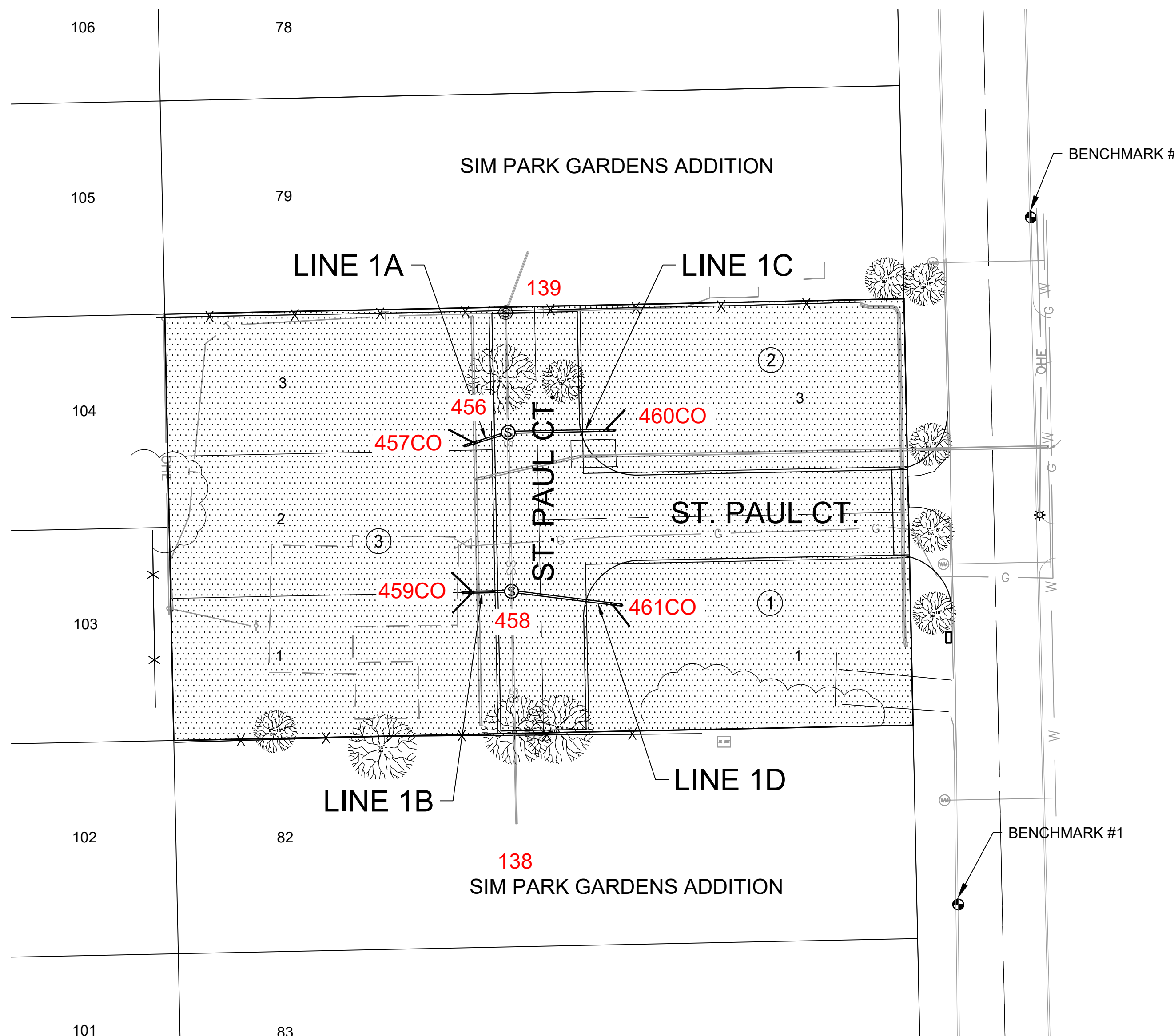
McCullough - Contractor  
K. Kerns - City of Wichita, Field Project Engineer  
S. Stripling - City of Wichita, Inspector  
As-built  
Release Date (for connection purposes only): 2/25/2022  
Completion Date:  
2/25/2022 apr

5248B  
Basin: SS22-03



Vicinity Map

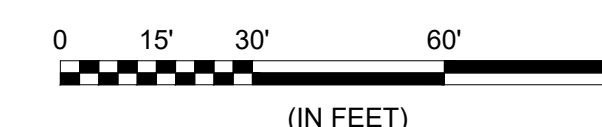
PROJECT LOCATION



IMPROVEMENT DISTRICT

PLAN SET REVIEWED BY GARVER  
*Christina Bohm* 8/24/21  
SIGNATURE DATE

NOTE: All coordinates listed are modified NAD83 Kansas State Plane Zone South unless otherwise noted. To convert listed coordinates to NAD83 Kansas State Plane Zone South coordinates multiply the northing and easting by the project scale factor of 0.999885189. Elevation datum is NAVD88 Geoid 12B unless otherwise noted.



AUGUST 2021

PLANS PREPARED BY



GARVER  
8535 E. 21st Street N.  
Suite 130  
Wichita, KS 67206  
(316) 264-8008  
www.GarverUSA.com  
Project No. ####

### GENERAL NOTES:

- The Contractor shall comply with all applicable safety regulations. All construction shall be completed following current City Standard Specifications and Special Provisions.
- Contractor will be required to provide notice to utility companies a minimum of seventy-two (72) hours prior to any excavation, as follows:  
  
Kansas One-Call 687-2470  
  
The Contractor must notify the following in case of an emergency:  
  
AT&T 1-800-246-8464  
City of Wichita Water & Sewer Dept. 1-316-219-8921  
City of Wichita Stormwater 1-316-268-4090  
City of Wichita Traffic 1-316-268-4034  
Cox Communications 1-888-249-3530  
Evergny 1-800-544-4857  
Kansas Gas Service 1-888-482-4950
- Utility service lines, poles, etc. are to be adjusted as necessary by others prior to construction unless the plans specifically call for their adjustment by the Contractor or unless the plans specifically identify a utility to be adjusted by its owner during construction. Existing utilities and their location, as shown on the plans, represent the best information obtainable for design. The Contractor will be required to work around existing utilities within the right-of-way which do not conflict with proposed construction.
- Rubble from the removal of miscellaneous structures and excess excavation which is to be wasted shall be disposed of on sites to be provided by the Contractor. These sites shall be approved by the Engineer as to suitability, appearance and site location. Locations, in the opinion of the Engineer, that will leave an unsightly appearance will not be approved. All disposal sites must be approved by the Kansas Department of Health and Environment. Material either stockpiled or disposed of in a flood plain will require a Kansas State Board of Agriculture permit. Any material dumped in waters of the United States or wetlands is subject to U.S. Corps. of Engineers permitting regulations. Any material buried or stockpiled beyond approved construction limits will require additional archaeological investigations unless buried in a previously approved borrow location.
- Trees and shrubs in public right-of-way which are in direct conflict with proposed new construction shall be removed by the Contractor with the Engineer's approval. Trees and shrubs which are not in direct conflict with proposed new construction shall be saved and protected from damage.
- The Contractor shall give all property owners and/or tenants of developed property abutting the construction of this project a minimum of ten (10) days notice prior to start of construction.
- The Contractor shall be responsible for preserving property irons. The Contractor will be required to re-establish any property irons which are damaged or destroyed by his construction operations. Such irons shall be re-established by a licensed land surveyor in accordance with state laws.
- If traffic will be impacted by construction, a traffic control plan must be submitted and approved by the City Traffic Engineer, at [traffic@wichita.gov](mailto:traffic@wichita.gov) before construction can begin. The Contractor shall be responsible for all traffic control measures to facilitate construction. All construction zone markings and signage shall conform to the latest version of the Manual on Uniform Traffic Control Devices (MUTCD) as published by the US Dept. of Transportation, Federal Highway Administration. All costs associated with construction markings and signage shall be the Contractors responsibility.
- All elevations shown are NAVD 88.
- All areas disturbed during construction that will not be under proposed pavement shall be restored to match existing conditions.
- The Contractor shall protect from damage and support existing utilities through constructions as approved by the utility owner and the Engineer at the contractors expense.
- Contractor shall limit the extent of trench openings overnight and weekends to less than 50 feet.

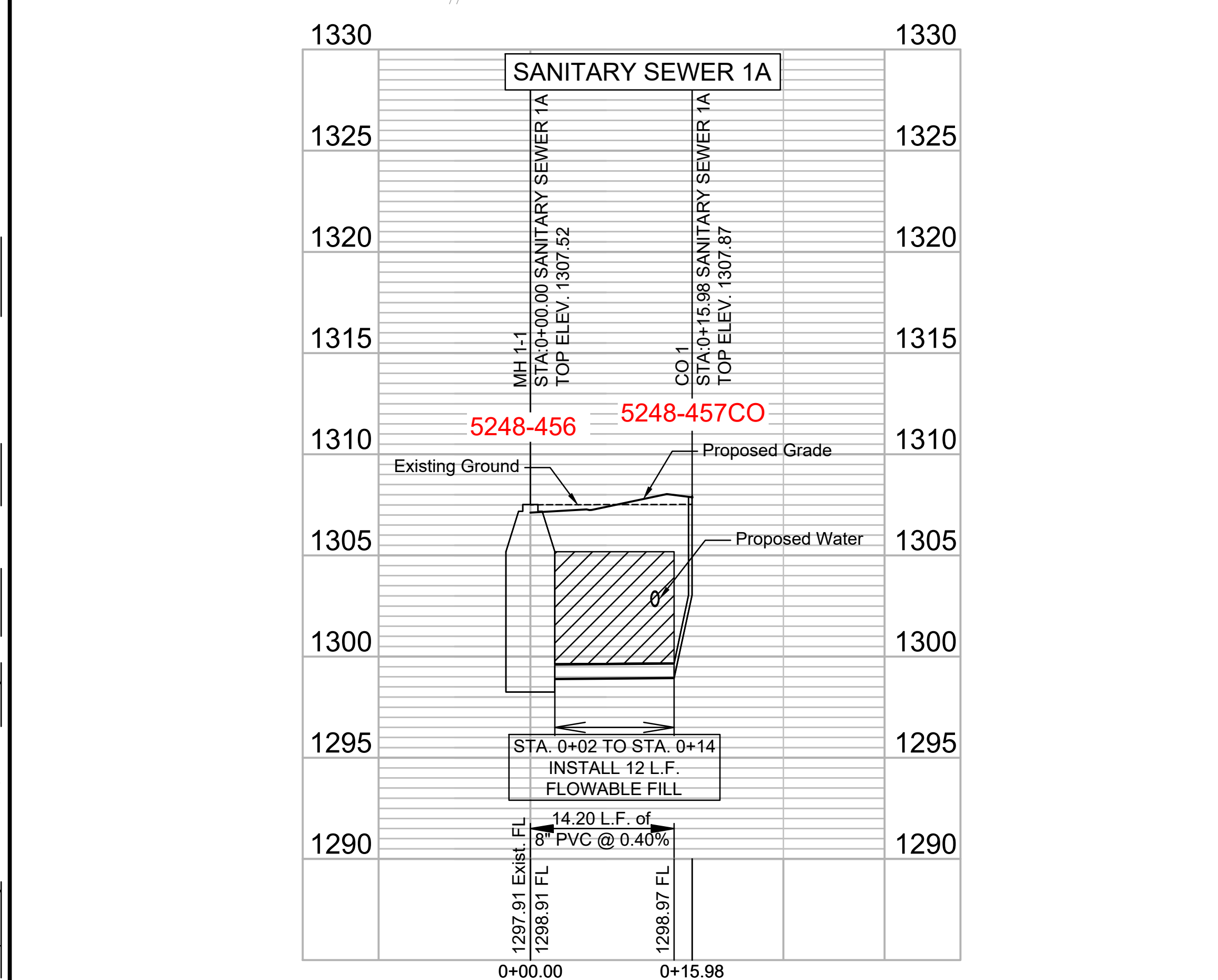
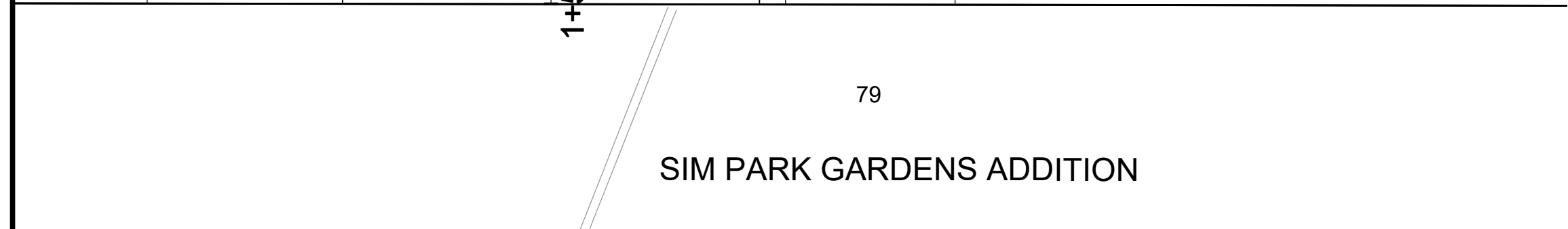
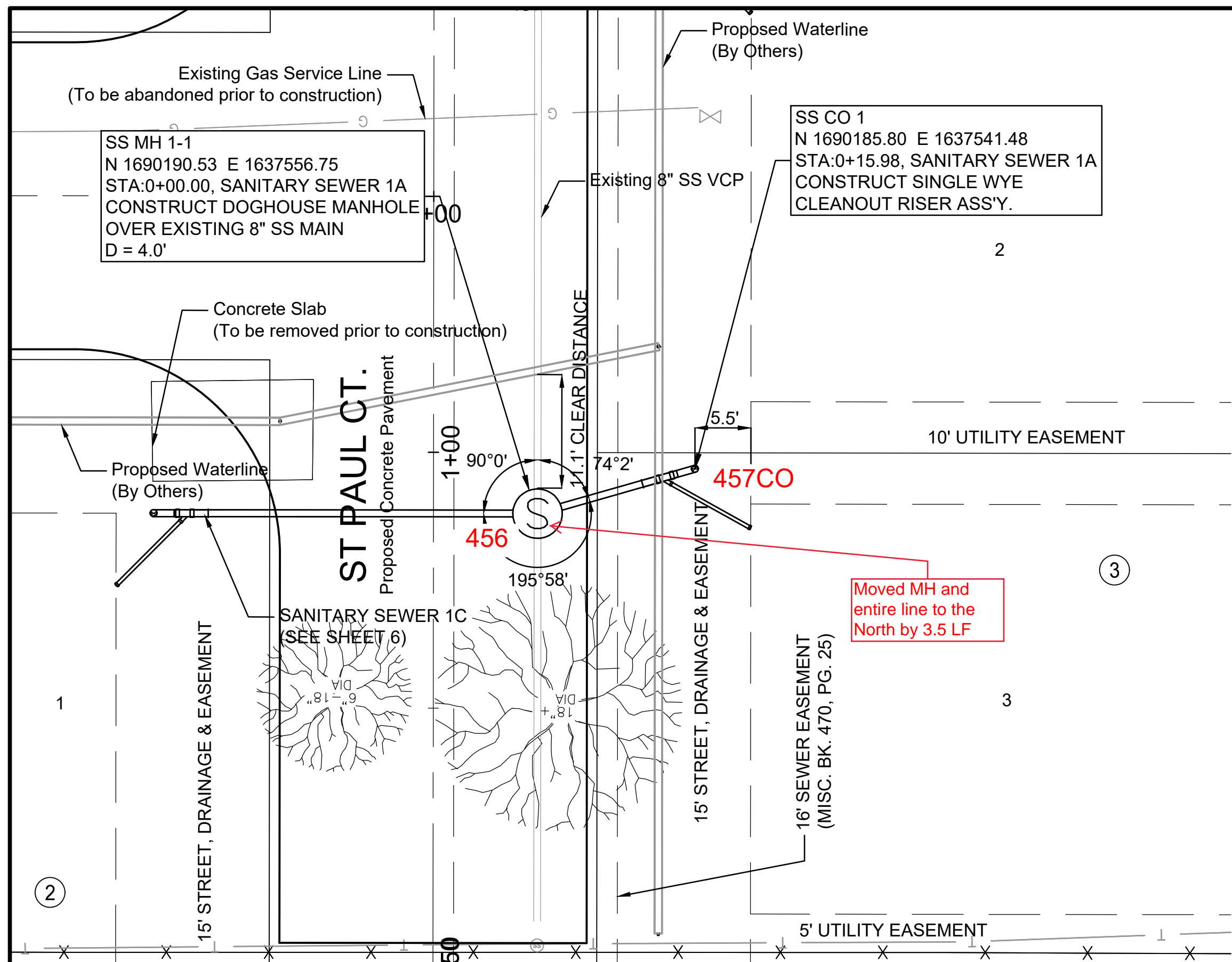
- All stubs and plugged pipes shall be located with green plastic tape in the same manner as risers.
- Connecting to Existing Manholes:  
  
Prior to laying sewer lines using existing stubs in existing manholes, the Contractor shall expose and verify the elevation, grade and alignment of existing stubs and notify the Engineer of any deviation from the plans. Where connection to an existing manhole that does not have an existing stub or the stub is unusable due to elevation grade or alignment, the Contractor shall bore cut into existing manhole wall to make connection using approved water stop gasket, and reshape the existing manhole invert to provide smooth flow. The cost to connecting to existing manholes is incidental to the project.
- Contractor shall provide positive drainage away from all manhole covers.
- The Contractor shall prevent any construction debris from entering the existing sanitary sewer during construction.
- The Contractor shall be responsible for maintaining continuous flow of sewage through construction. Contractors proposed method for maintaining sewage flow shall be submitted and approved by the Sewer Maintenance Division (316-268-4073) prior to starting and by-passing of sewage flows.
- Any over excavation from manhole and/or pipe removal shall be backfilled and compacted in accordance with the Standard Specifications.
- Excess dirt generated from installation of underground utilities is to remain on site and be stockpiled on Lot 1 & 2, Block 3.

### Benchmarks

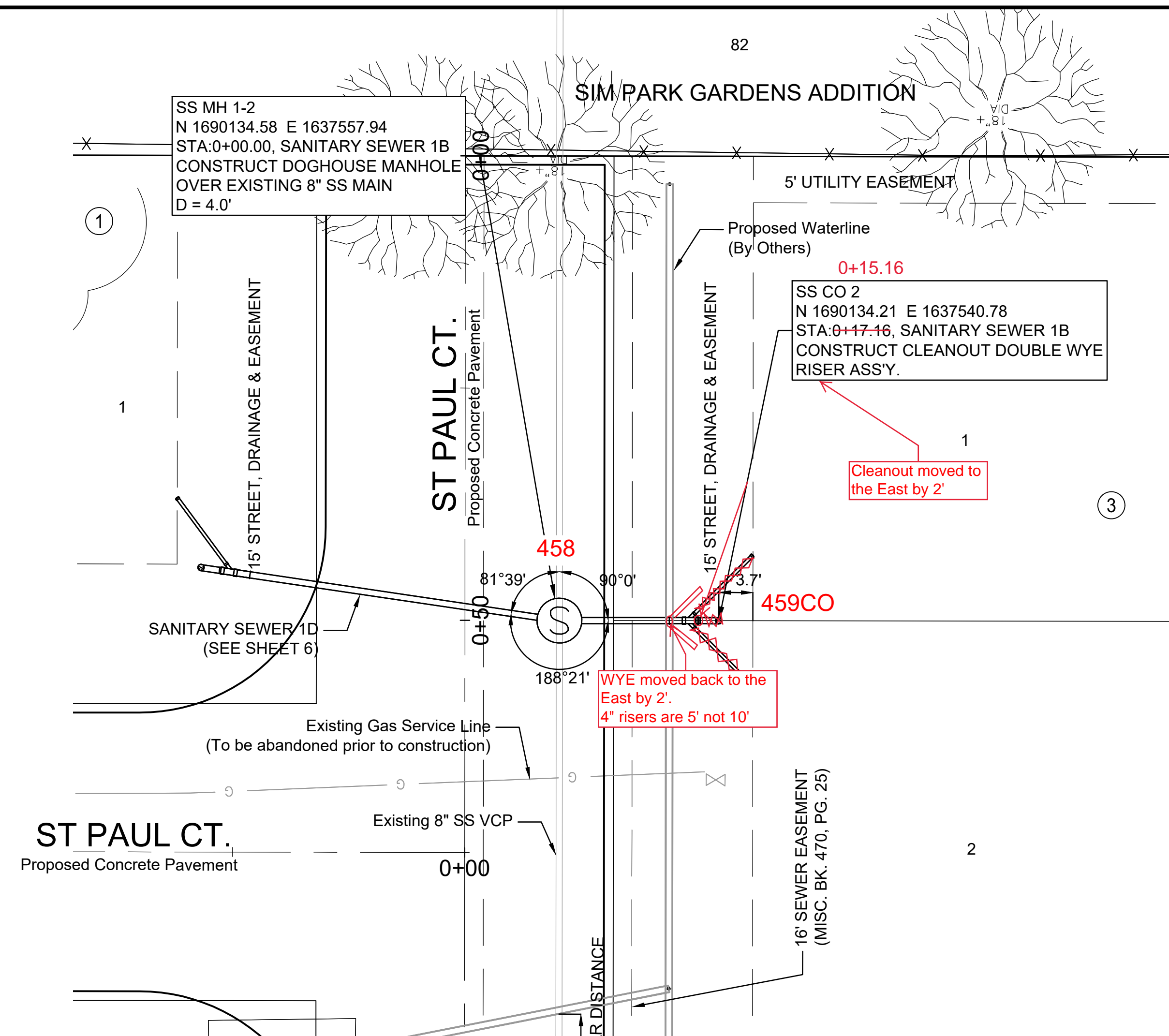
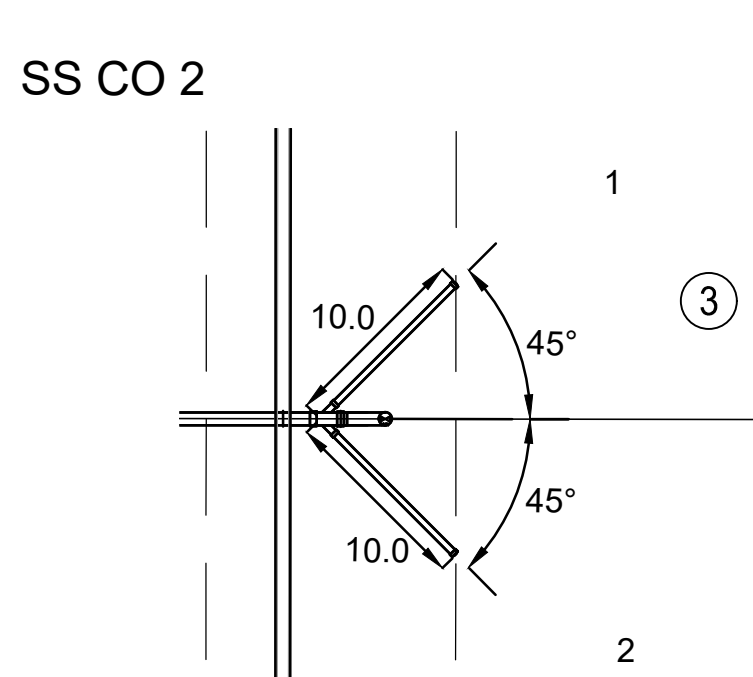
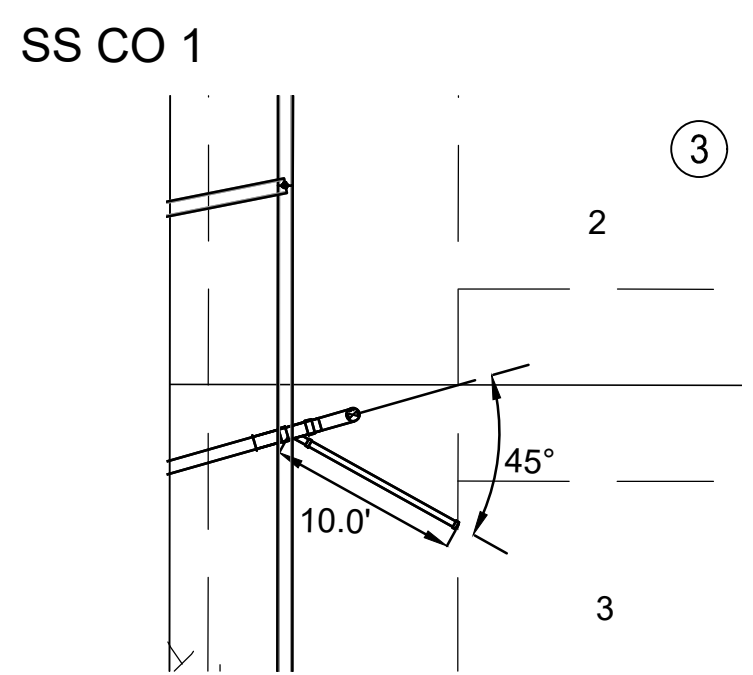
BENCHMARK #1:  
CHISELED SQUARE ON THE TOP OF CURB IN FRONT OF 773 N. SAINT PAUL, 63' SOUTH OF THE SOUTHEAST CORNER OF KIMBERLY ADDITION  
ELEVATION = 1307.47 (NAVD88, G18)


BENCHMARK #2:  
CHISELED SQUARE ON THE TOP OF CURB IN FRONT OF 786 N. SAINT PAUL, 28' NORTH OF THE NORTHEAST CORNER OF KIMBERLY ADDITION  
ELEVATION = 1304.16 (NAVD88, G18)

File: L:\2021\12\14\1008 - Kimberly Addition Engineering\Drawings\C3D\SANITARY SEWERS\SANITARY SEWER 1A & 1B.dwg Last Save: 8/30/2021 4:33 PM Last saved by: MCarreiraPiedra  
 Last plotted by: Carreira-Piedra, Mariana Plot Date: 8/30/2021 4:34 PM Plotter used: None




NOTES:  
 EXISTING FLOWLINE GRADES ARE INTERPOLATED BETWEEN STRUCTURES. CONTRACTOR SHALL FIELD VERIFY LOCATION AND ELEVATION OF SS MAIN AT CONNECTION POINT AT THE TIME OF CONSTRUCTION AND COORDINATE WITH FIELD ENGINEER IF ADJUSTMENTS ARE NEEDED.  
 THE SANITARY SEWER CONTRACTOR SHALL COORDINATE WITH THE TIED WATER PROJECT FOR INSTALLATION OF WATER MAIN IN THE AREAS WHERE WATER MAIN CROSSES THE SANITARY SEWER LINES.






© 2021 GARVER, LLC  
 THIS DOCUMENT, ALONG WITH THE IDEAS AND DESIGNS CONVEYED HEREIN, SHALL BE CONSIDERED INSTRUMENTS OF PROFESSIONAL SERVICE AND ARE PROPERTY OF GARVER, LLC. ANY USE, REPRODUCTION, OR DISTRIBUTION OF THIS DOCUMENT, ALONG WITH THE IDEAS AND DESIGNS CONTAINED HEREIN, IS PROHIBITED UNLESS AUTHORIZED IN WRITING BY GARVER, LLC OR EXPLICITLY ALLOWED IN THE GOVERNING PROFESSIONAL SERVICES AGREEMENT FOR THIS WORK.

8535 E. 21st Street N.  
 Suite 130  
 Wichita, KS 67206  
 (316) 264-8008



REV.	DATE	DESCRIPTION	BY



CITY OF WICHITA  
 WICHITA, KANSAS

KIMBERLY ADDITION  
 SANITARY SEWER

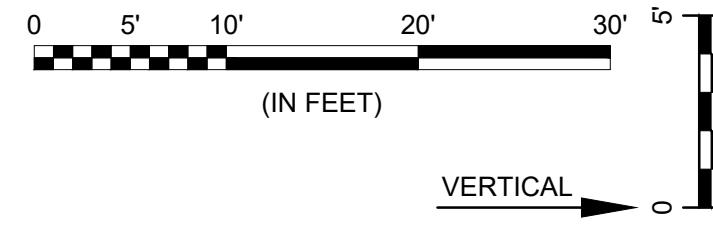
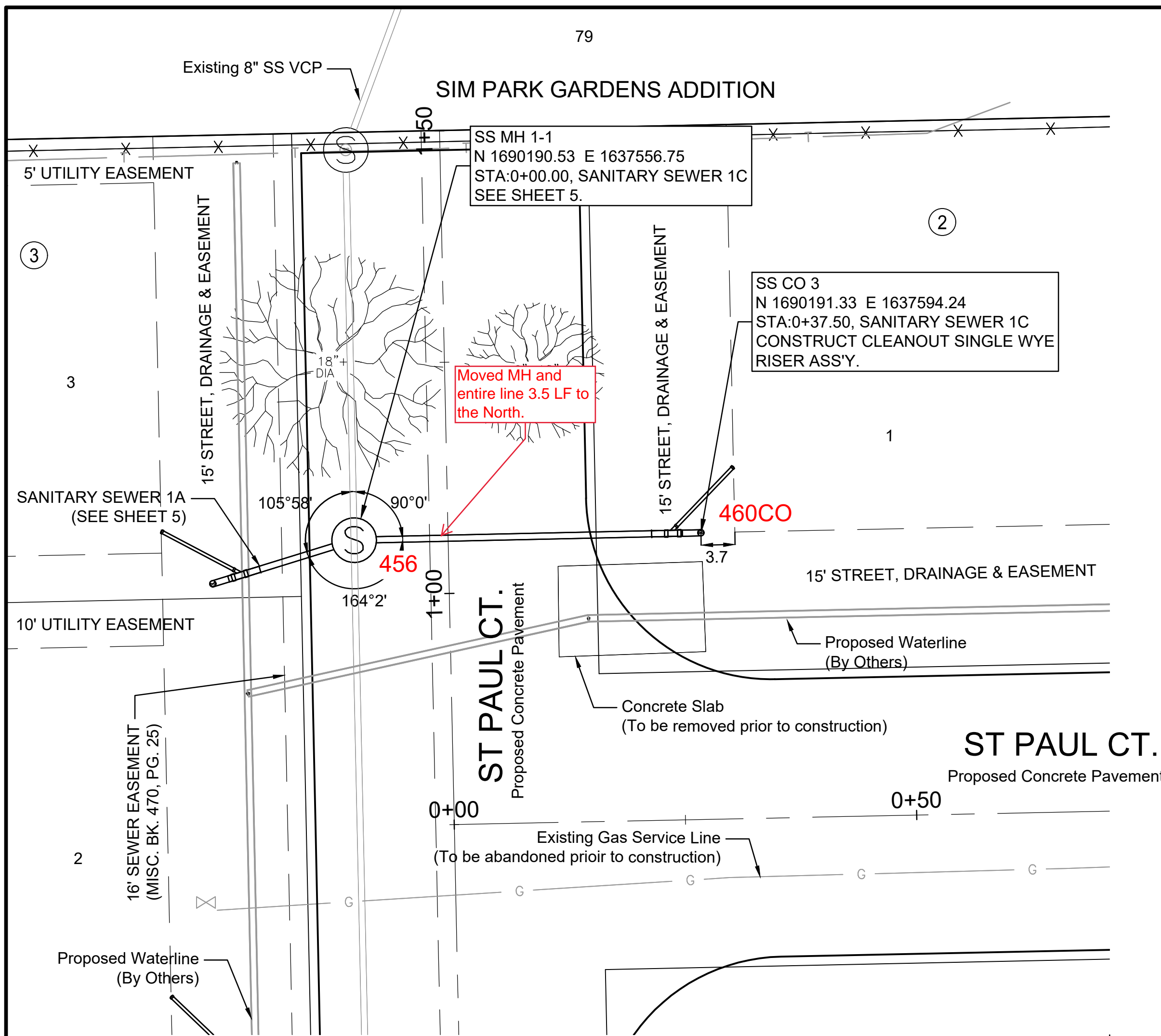
**SANITARY SEWER 1A & 1B**

JOB NO.: 21T41008  
 DATE: AUGUST 2021  
 DESIGNED BY: KWL  
 DRAWN BY: MCP

BAR IS ONE INCH ON ORIGINAL DRAWING  
 IF NOT ONE INCH ON THIS SHEET, ADJUST SCALES ACCORDINGLY.

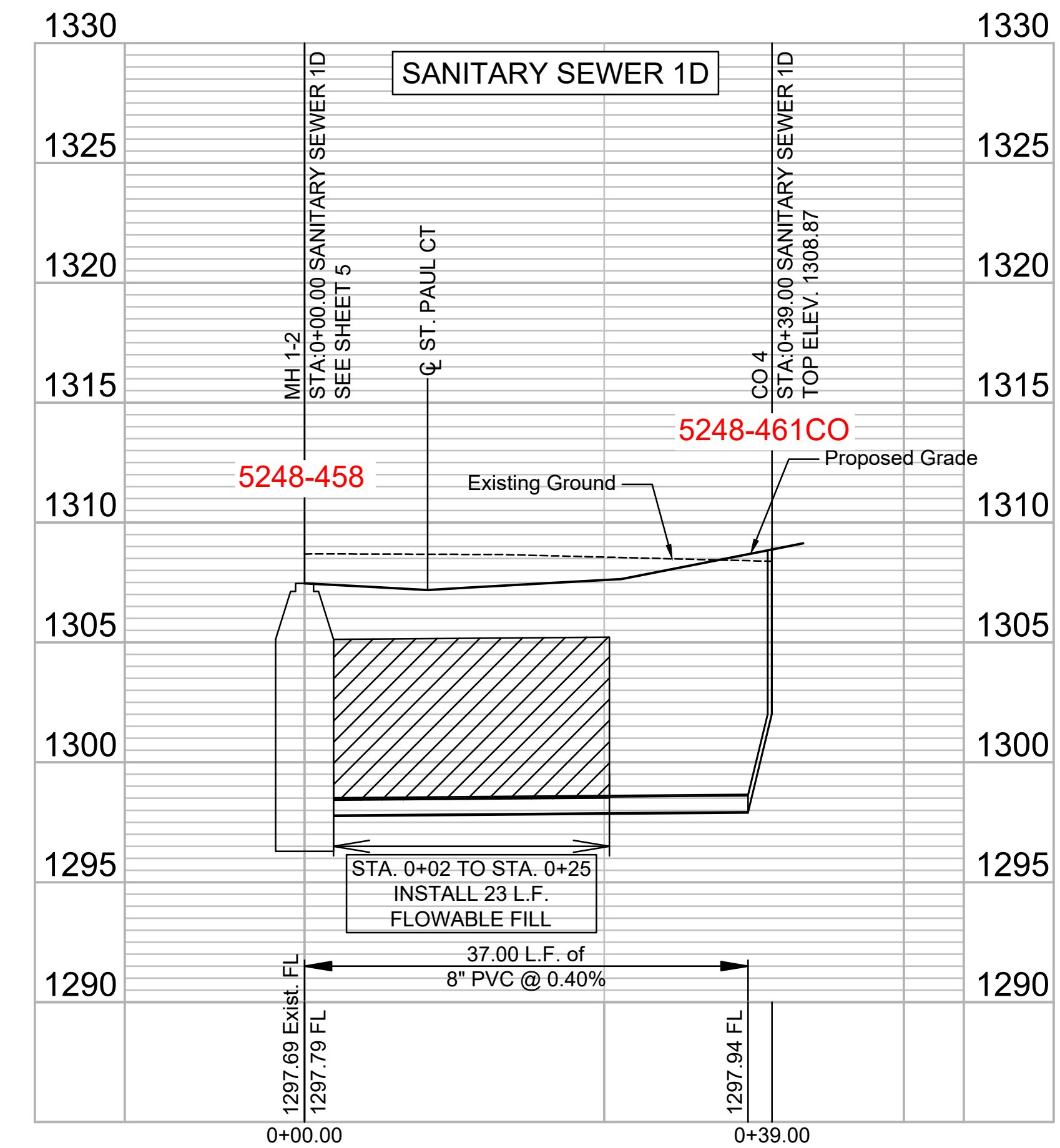
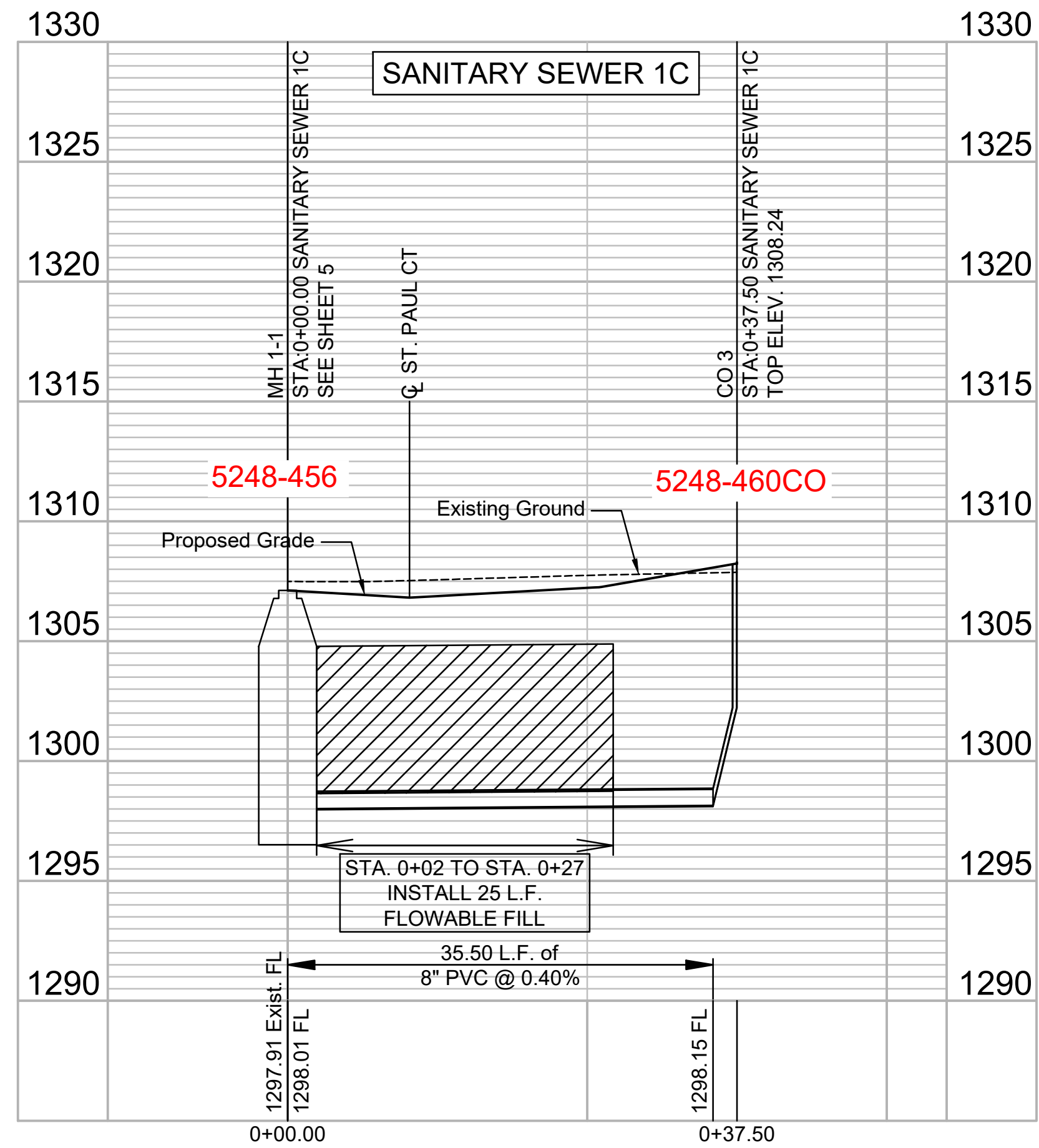
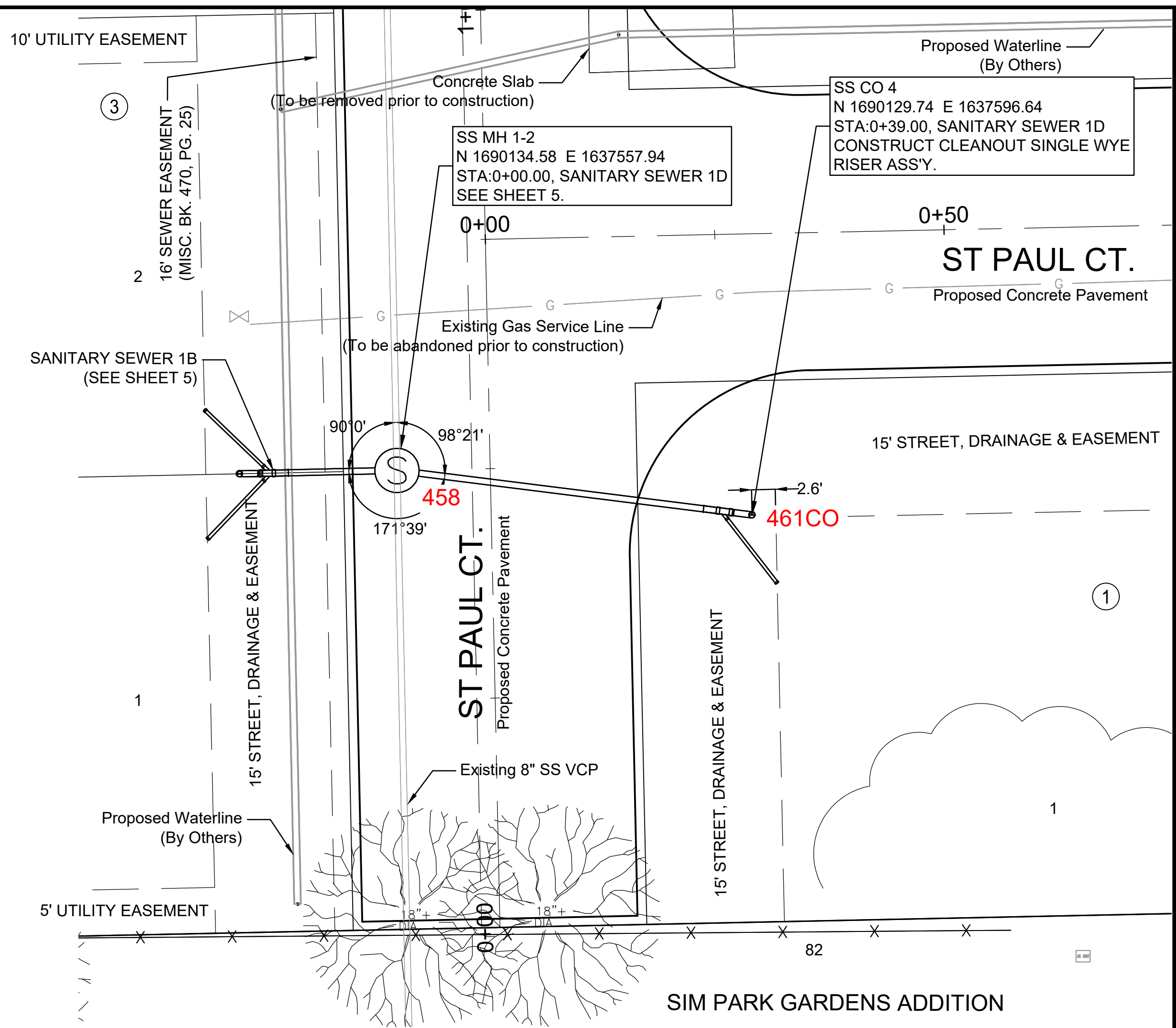
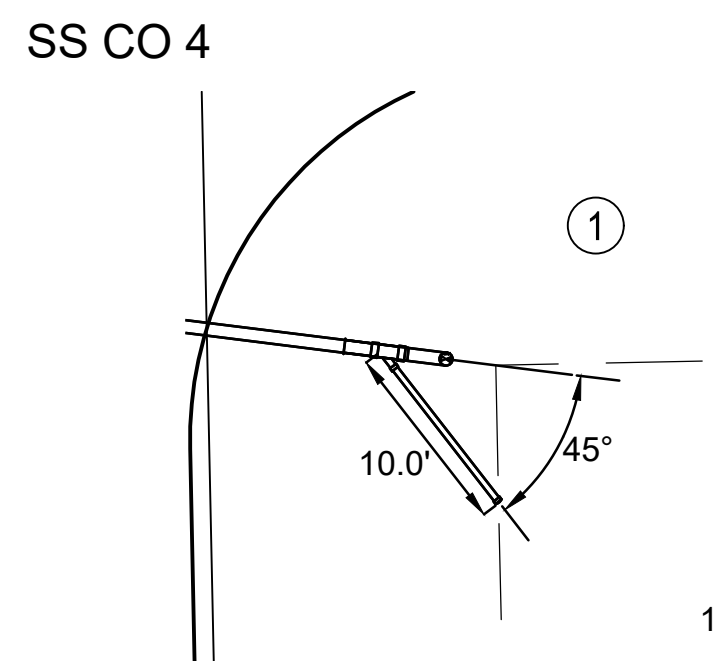
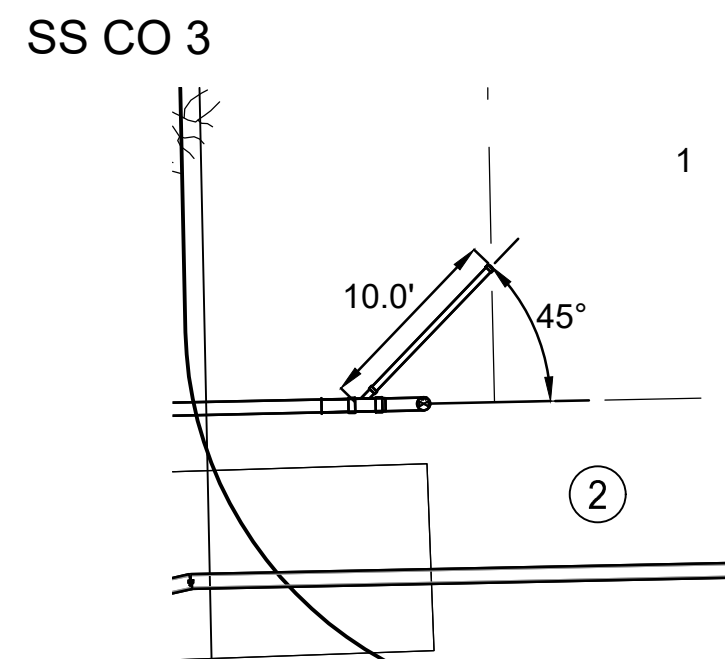
DRAWING NUMBER

SHEET NUMBER **5** OF **14**



NOTES:  
 EXISTING FLOWLINE GRADES ARE INTERPOLATED BETWEEN STRUCTURES. CONTRACTOR SHALL FIELD VERIFY LOCATION AND ELEVATION OF SS MAIN AT CONNECTION POINT AT THE TIME OF CONSTRUCTION AND COORDINATE WITH FIELD ENGINEER IF ADJUSTMENTS ARE NEEDED.

THE SANITARY SEWER CONTRACTOR SHALL COORDINATE WITH THE TIED WATER PROJECT FOR INSTALLATION OF WATER MAIN IN THE AREAS WHERE WATER MAIN CROSSES THE SANITARY SEWER LINES.



File: L:\2021\12\14\1008 - Kimberly Addition Engineering\Drawings\C3D\SANITARY SEWERS\SANITARY SEWER 1C & 1D.dwg Last Save: 8/30/2021 9:23 AM Last saved by: MCarrenerPiedra  
 Last plotted by: Carrera-Piedra, Mariana Plot Date: 8/30/2021 4:03 PM Plotter used: None

© 2021 GARVER, LLC  
 THIS DOCUMENT, ALONG WITH THE IDEAS AND DESIGNS CONVEYED HEREIN, SHALL BE CONSIDERED INSTRUMENTS OF PROFESSIONAL SERVICE AND ARE PROPERTY OF GARVER, LLC. ANY USE, REPRODUCTION, OR DISTRIBUTION OF THIS DOCUMENT, ALONG WITH THE IDEAS AND DESIGN CONTAINED HEREIN, IS PROHIBITED UNLESS AUTHORIZED IN WRITING BY GARVER, LLC OR EXPLICITLY ALLOWED IN THE GOVERNING PROFESSIONAL SERVICES AGREEMENT FOR THIS WORK.

8535 E. 21st Street N.  
 Suite 130  
 Wichita, KS 67206  
 (316) 264-8008



REV.	DATE	DESCRIPTION

CITY OF WICHITA  
 WICHITA, KANSAS

KIMBERLY ADDITION  
 SANITARY SEWER

SANITARY SEWER 1C & 1D

JOB NO.: 21T41008  
 DATE: AUGUST 2021  
 DESIGNED BY: KWL  
 DRAWN BY: MCP

BAR IS ONE INCH ON ORIGINAL DRAWING  
 IF NOT ONE INCH ON THIS SHEET, ADJUST SCALES ACCORDINGLY.

DRAWING NUMBER  
 SHEET NUMBER **6** OF **14**