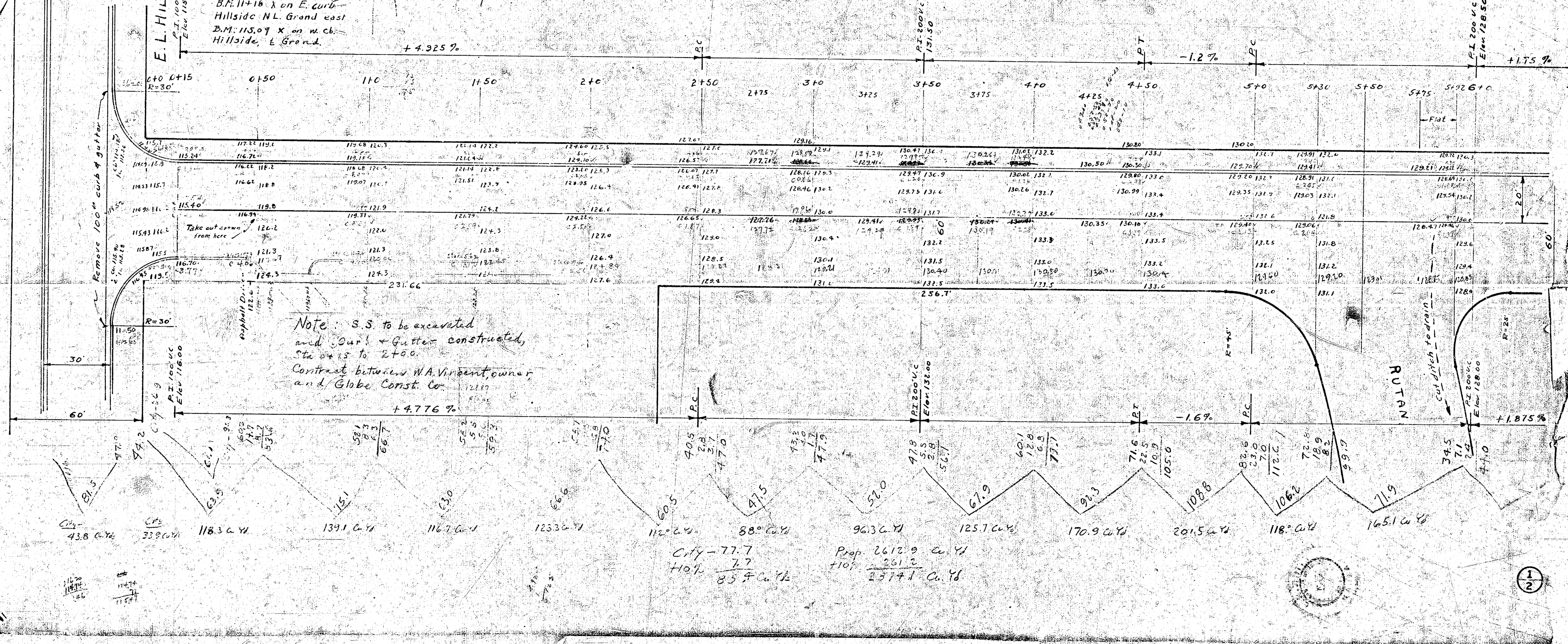
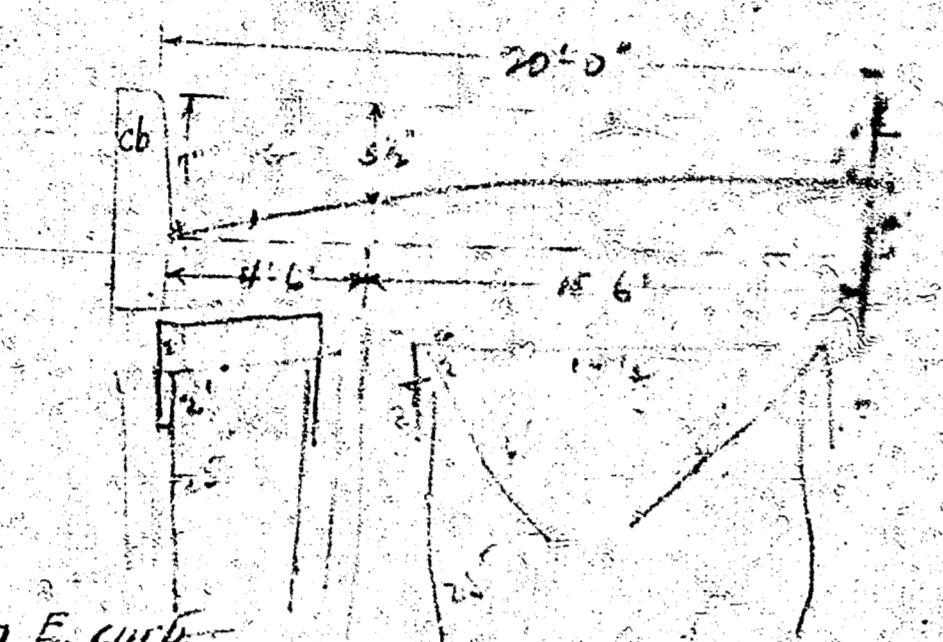


11974  
1241  
13165

# PAVING PLAN 1944 GRAND AVE W L HILLSIDE - EL CLIFTON 20 FT CONCRETE INT CURB

E. L. HILLSIDE AVE  
C.I. 100' ±  
Z=119.8

B.M. 11+18.3 on E. curb  
Hillside N.L. Grand east  
B.M. 115.09 X on W.C.  
Hillside, E. Grand.



Note: S.S. to be excavated  
and curb + gutter constructed,  
Sta 8+15 to 2+00.  
Contract between W.A. Vincent owner  
and Globe Const. Co.

43.8 Cu Yd  
33.9 Cu Yd  
118.3 Cu Yd  
139.1 Cu Yd  
116.7 Cu Yd  
123.3 Cu Yd  
112.0 Cu Yd  
88.0 Cu Yd  
96.3 Cu Yd  
125.7 Cu Yd  
170.9 Cu Yd  
201.5 Cu Yd  
118.0 Cu Yd  
165.1 Cu Yd

City - 77.7  
110% 7.7  
85# Cu Yd

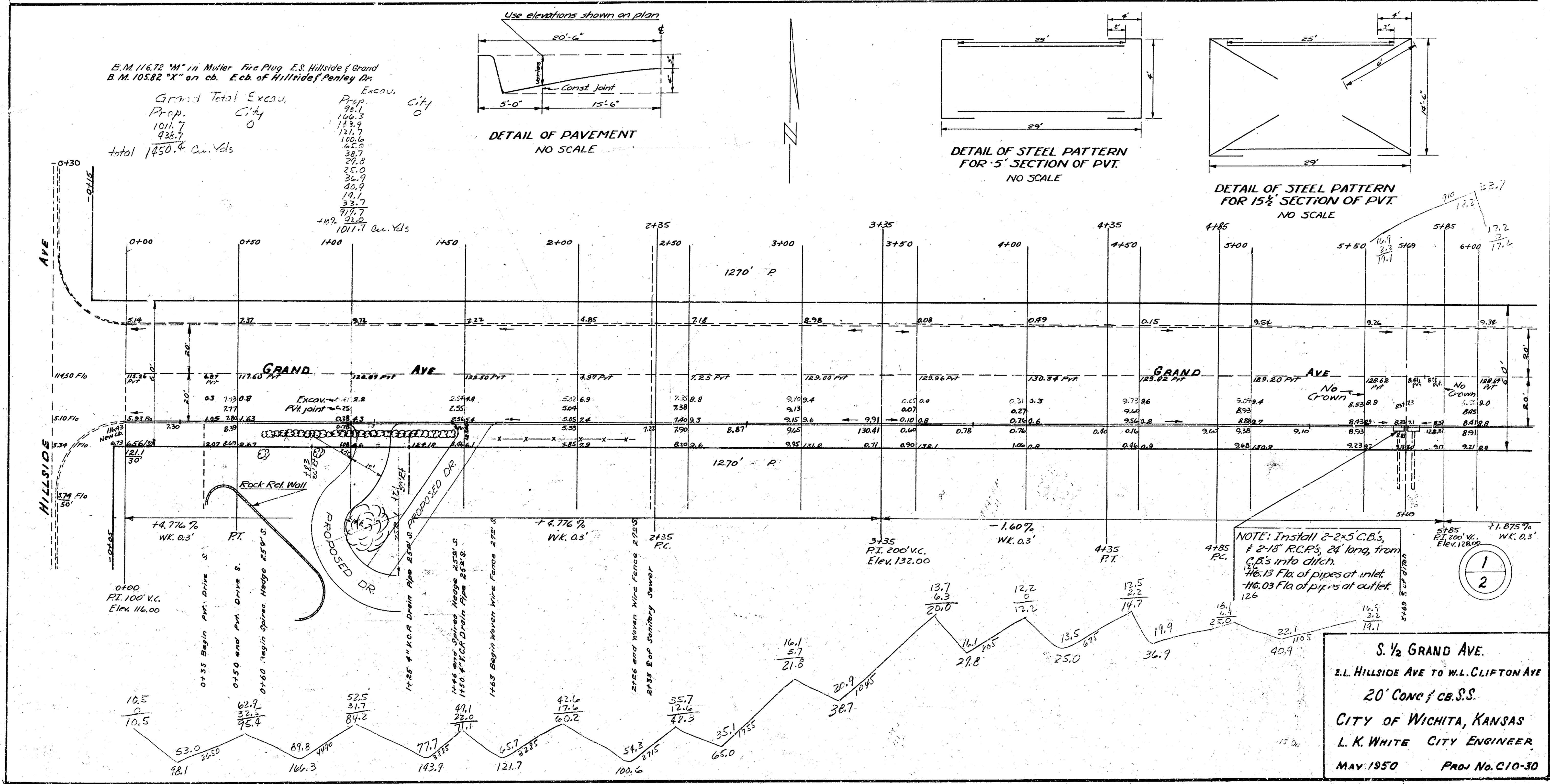
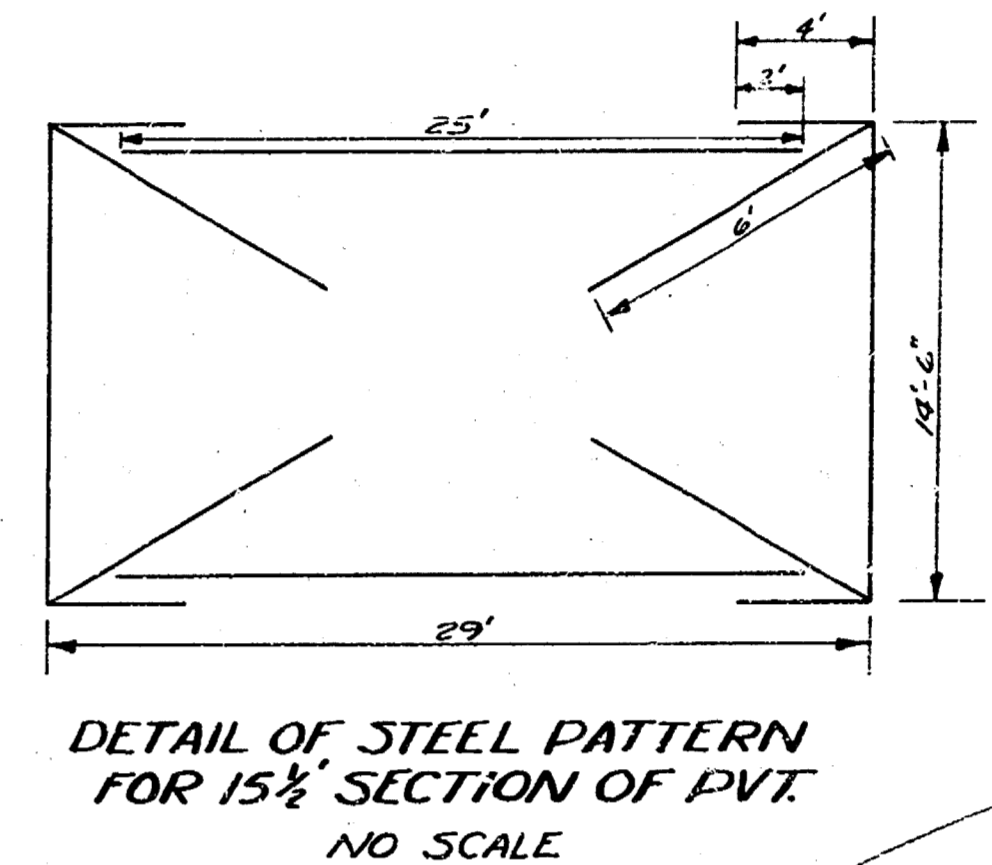
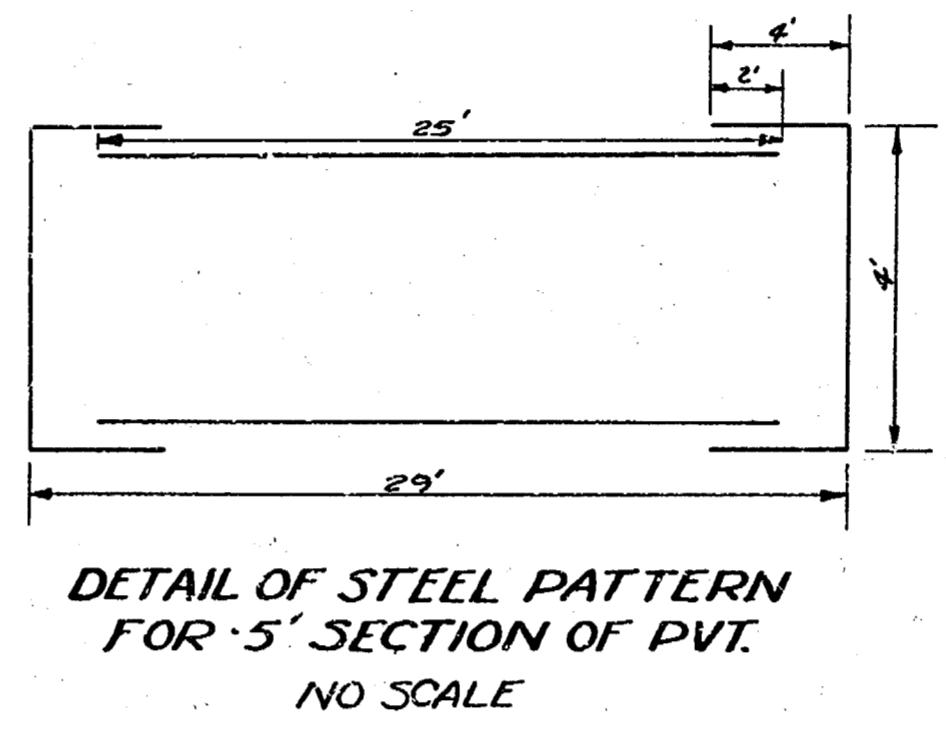
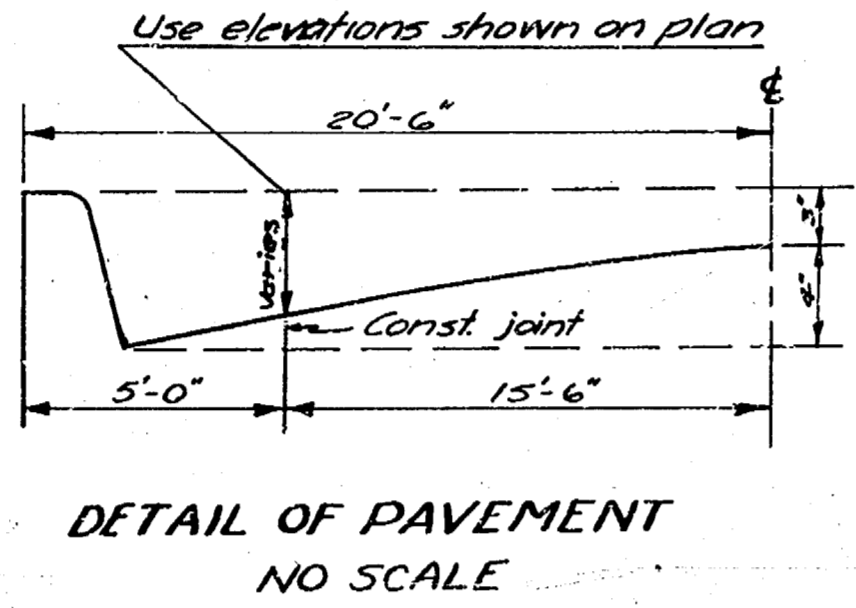
Prop. 2612.9 Cu Yd  
110% 281.2  
2574.1 Cu Yd





B.M. 116.72 "M" in Muller Fire Plug E.S. Hillside of Grand  
 B.M. 105.82 "X" on cb. Ecb. of Hillside of Penley Dr.

Grand Total Excav.	Excav.	City
Prop.	Prop.	0
1011.7	981.6	
938.7	108.5	
	123.9	
	121.7	
	160.6	
	26.8	
	25.0	
	36.9	
	40.9	
	19.1	
	33.7	
	97.7	
	101.7	
total 1450.4 Cu. Yds		



**S. 1/2 GRAND AVE.**  
 E.L. HILLSIDE AVE TO W.L. CLIFTON AVE  
 20' CONC. C.B.S.S.  
 CITY OF WICHITA, KANSAS  
 L. K. WHITE CITY ENGINEER  
 MAY 1950 PROJ. NO. C10-30

Excav.  
 Prop. City  
 31.5  
 30.0  
 32.4  
 35.2  
 37.6  
 43.0  
 41.5  
 29.3  
 21.3  
 20.6  
 20.2  
 27.4  
 28.5  
 398.7  
 +10% 40.8  
 438.7 Cu. Yds

B.M. 144.65 "M" in Muller Topfire Hyd. NK. Cor. of Clifton & Grand

