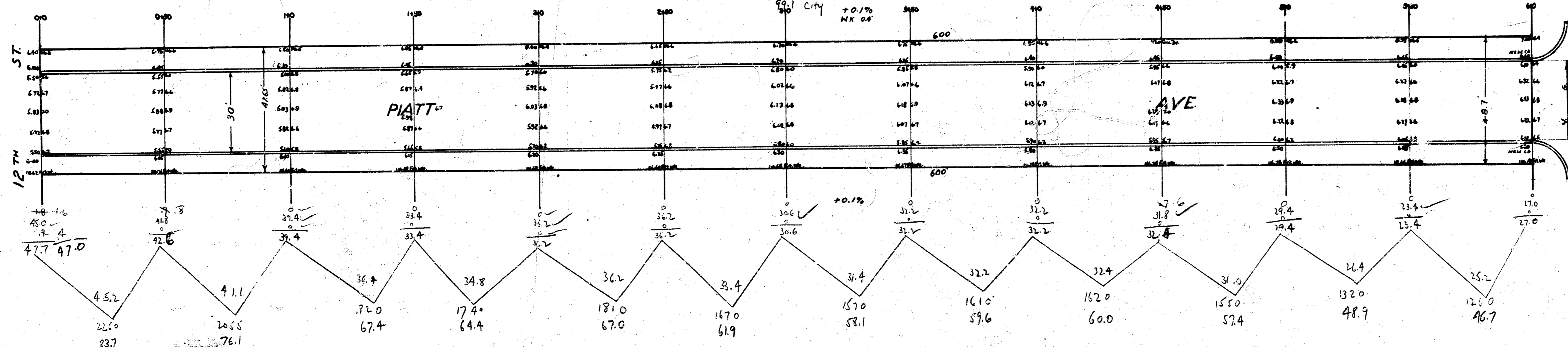
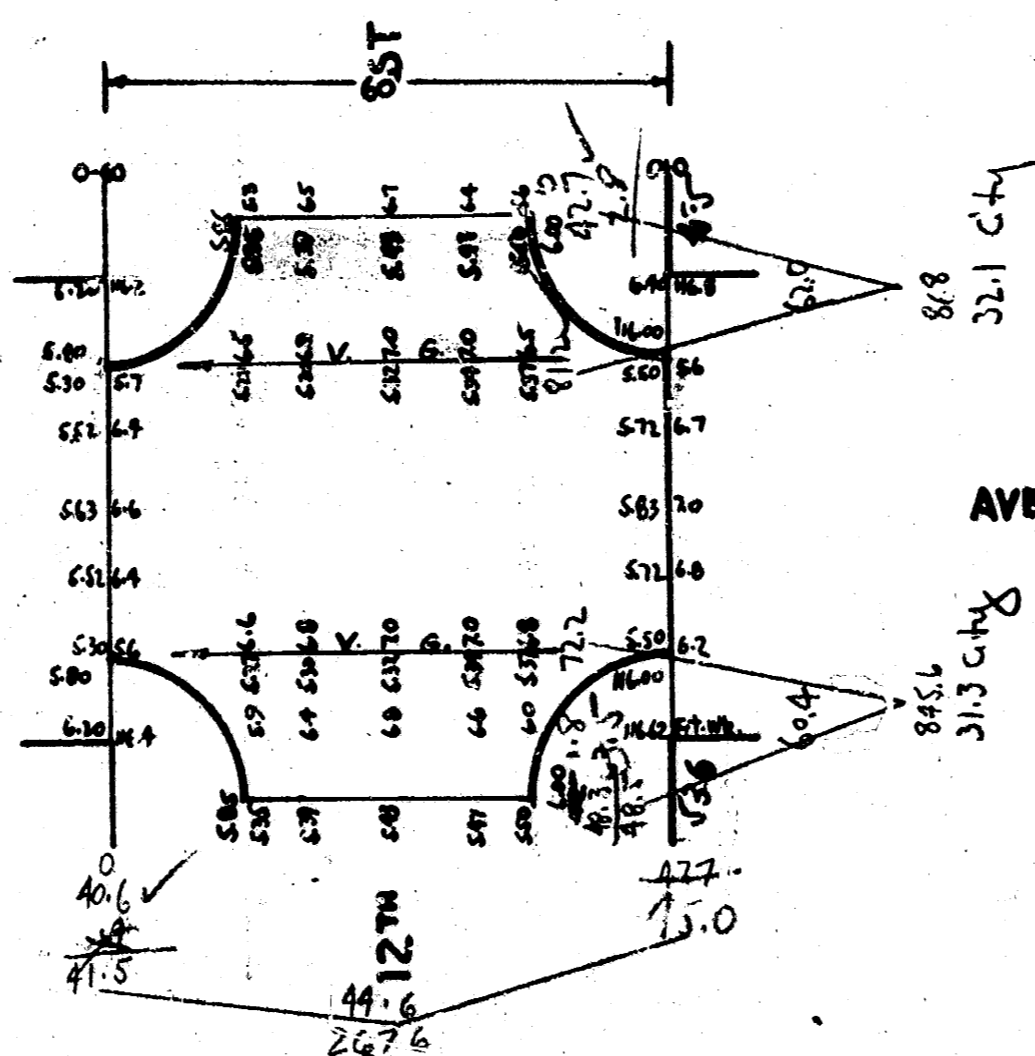


B&E 116-47 Rev. Thm. C. Det. 6. 137M



NOTE: REMOVE WINGS TO THE OH 13TH. REPLACE WITH 6" CONC. & I.R.

Priority	City
83.7	19.7
76.1	31.3
67.4	31.1
64.4	152.5
67.0	112.0
61.9	15.3
58.1	167.8
59.6	
60.0	
57.4	
48.9	
48.9	
75.2	
76.1	
82.0	

20 feet  
**PIATT AVE.**  
 SL 12<sup>TH</sup> TO SL 13<sup>TH</sup>  
**30' CONCRETE & CB.**  
 CITY OF WICHITA, KANSAS  
 L.K. WHITE CITY ENGINEER  
 JULY 1946

4 5 4