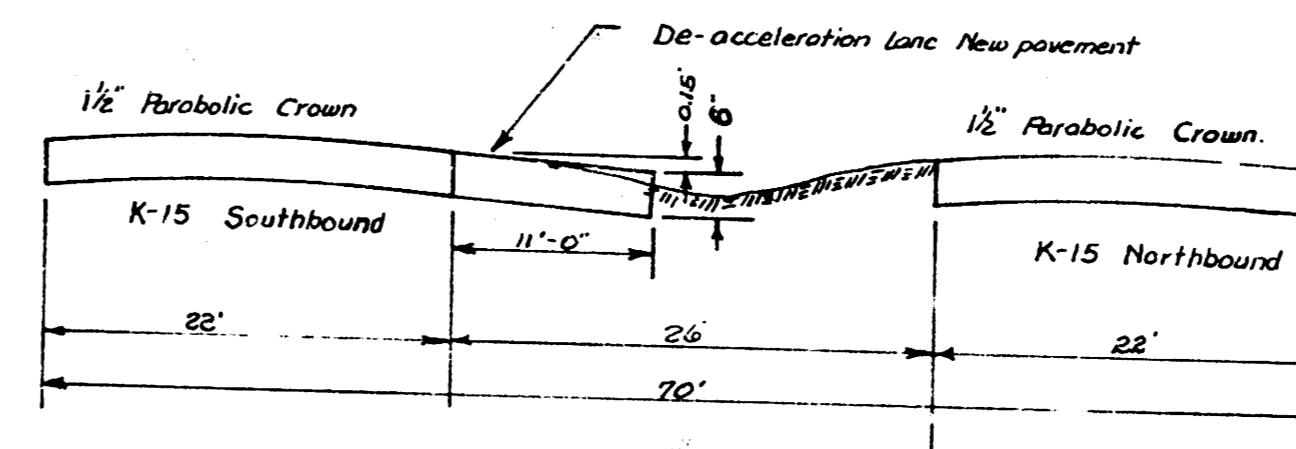


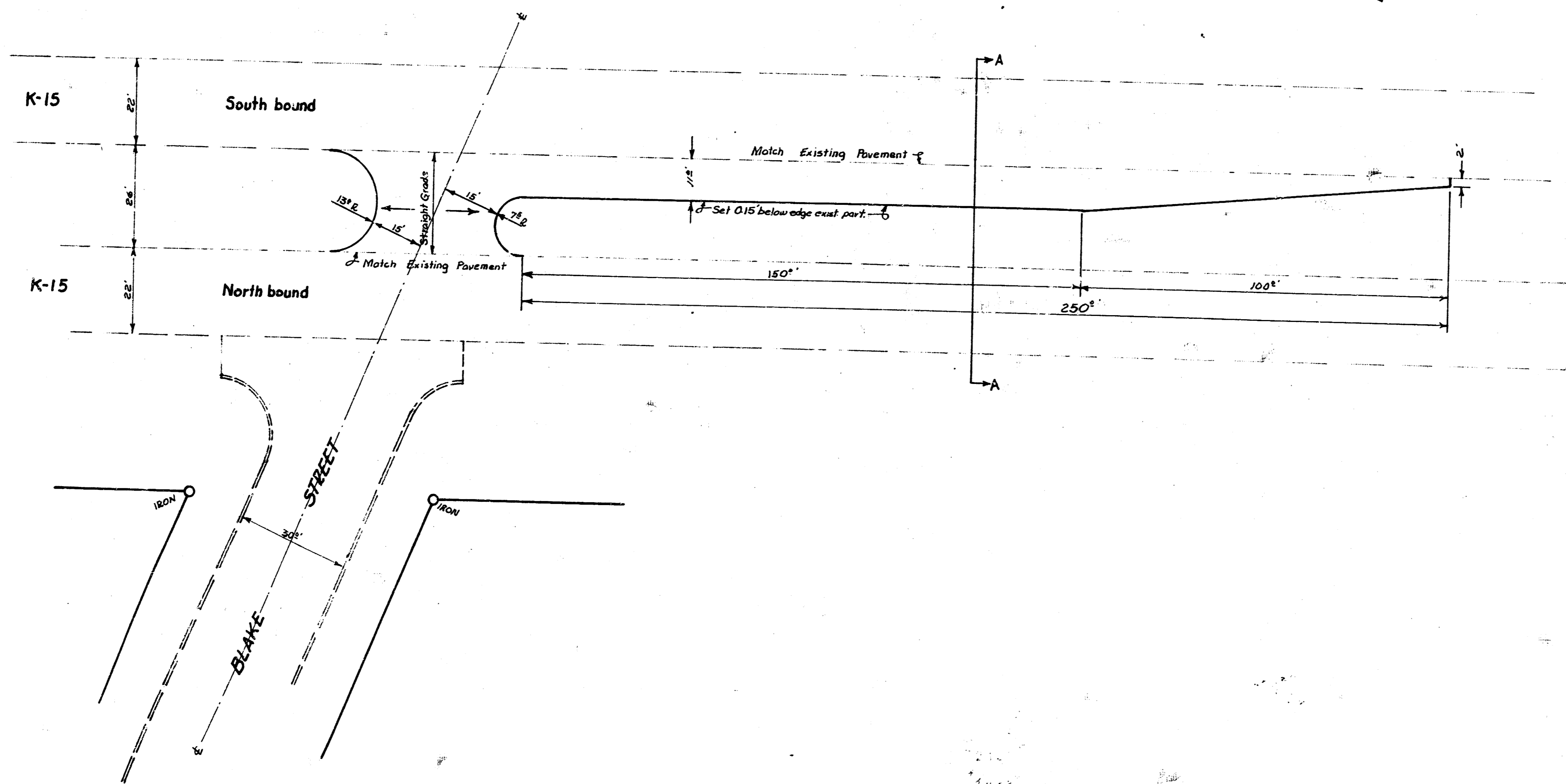
TYPICAL STEEL PATTERN
No Scale

Scale 1"=20'



SECTION A-A
No Scale.

NOTE TO CONTRACTOR
This project will be constructed under the supervision of the City Engineer and conform to the SPECIFICATIONS of the City of Wichita. The CON-TRACTOR will reimburse the City of Wichita for all cost of Engineering, Plans, and Inspection.



1/4" = 10' Scale
 1/8" = 5' Scale
 1/16" = 2 1/2' Scale



K-15
 Cross-over @Blake for Bamhoff
 6" Conc.
 CITY OF WICHITA, KANSAS
 B.E. SMITH CITY ENGINEER
 PRIVATE JOB