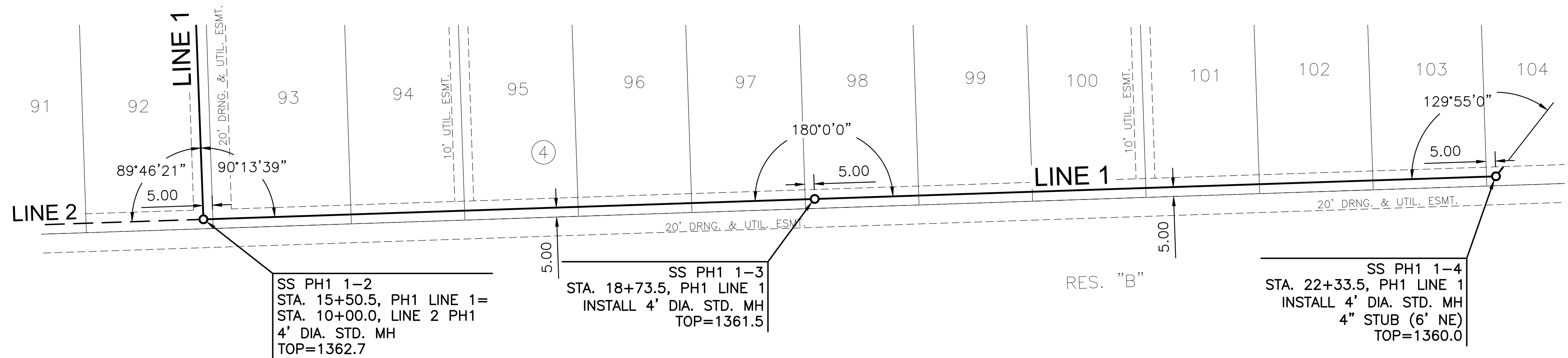


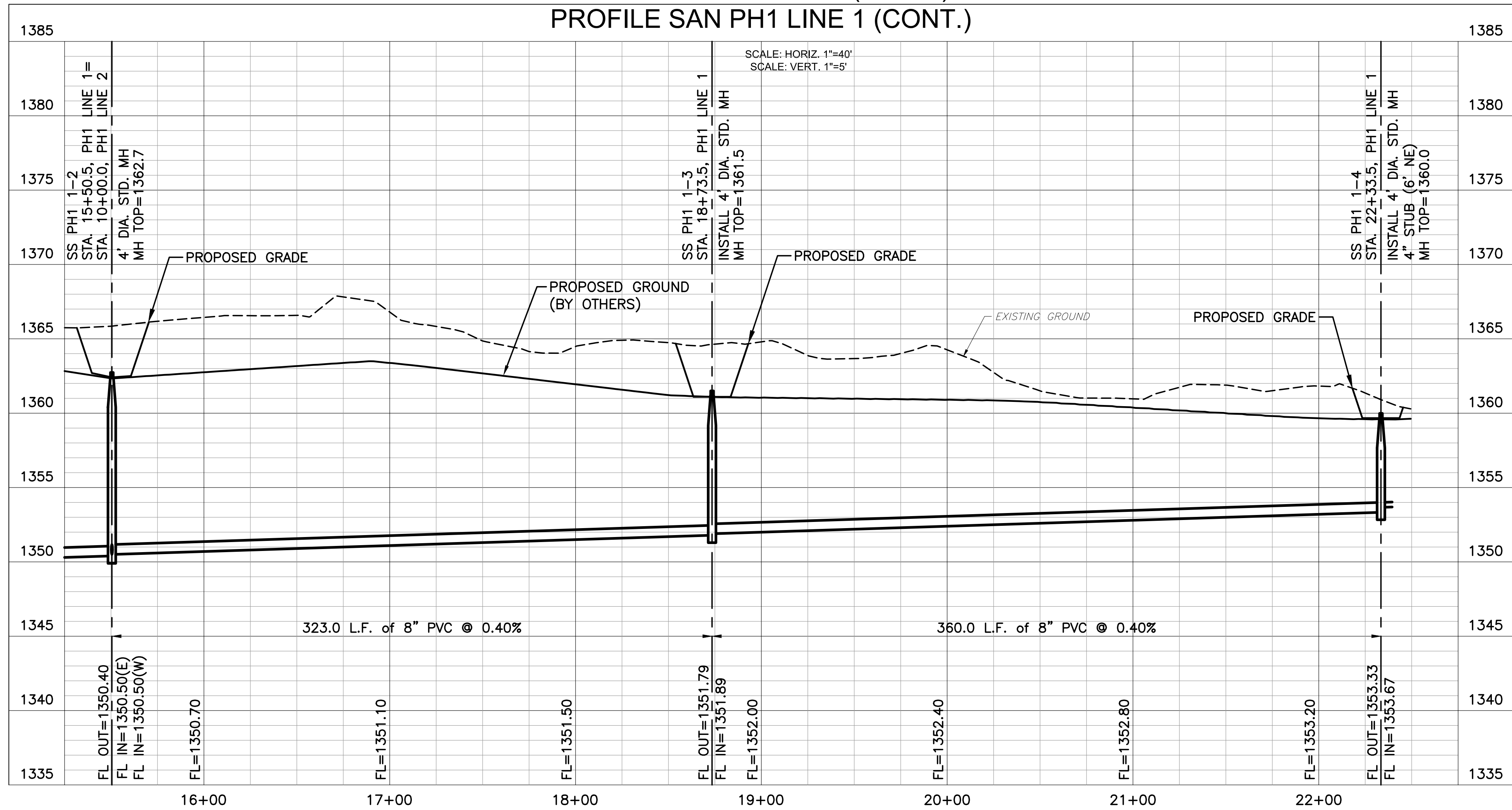
PLOTTED Tuesday, March 17, 2026 @ 04:57PM

J:\PROJECTS\2025\251010400\_ARTISTIC BUILDERS\_ARVADA\_2ND ADD\00\_CAD\SH1\505\_CIVIL\SAN\250400\_C-202-S01.DWG



**NOTE:**  
CONTRACTOR TO VERIFY THE DEPTH AND LOCATION OF EXISTING UTILITIES PRIOR TO CONSTRUCTION.

PLAN SAN PH1 LINE 1 (CONT.)  
PROFILE SAN PH1 LINE 1 (CONT.)



SANITARY SEWER PHASE 1

**ARVADA SECOND ADDITION**

MAIZE, KANSAS

SAN LINE 1 (CONT.)		
PROJECT NO.	468-2026-001086	
SCALE	VERT: 1"=5' HORZI: 1"=40'	
DRAWN	DESIGNED	CHECKED
JWC	DFL	SPE
ISSUED FOR CONSTRUCTION	03/17/26	
NO.	REVISION	DATE
SHEET NO. C-202-S01		
03 OF 21		

©2026 MKEC ENGINEERING, INC. ALL RIGHTS RESERVED. WWW.MKEC.COM. THESE DRAWINGS AND THEIR CONTENTS, INCLUDING, BUT NOT LIMITED TO, ALL CONCEPTS, DESIGNS, & DETAILS ARE THE EXCLUSIVE PROPERTY OF MKEC ENGINEERING, INC. (MKEC), AND MAY NOT BE USED OR REPRODUCED IN ANY WAY WITHOUT THE EXPRESS CONSENT OF MKEC.