

PROFESSIONAL ENGINEERING CONSULTANTS
1900 East English Wichita, Kansas
9-5-78

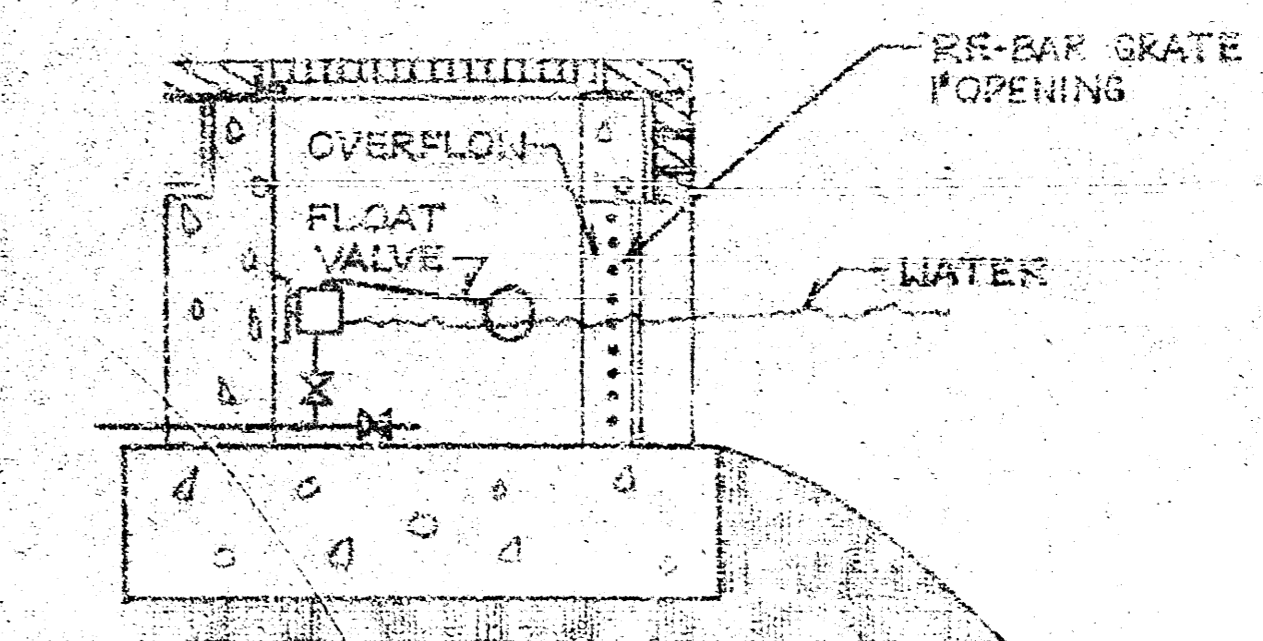
GENERAL NOTE:
SEE ARCHITECTURAL PLAN
FOR CONCRETE CONSTRUCTION.

- NEW WATER METER W/ST. TILE SETTING
- LOCATE PUMP AS SHOWN NORTH OF ELEVATOR
- GATE VALVE IN CAST IRON PIPE BODY DISK TYPE HEAD BEARING BRASS

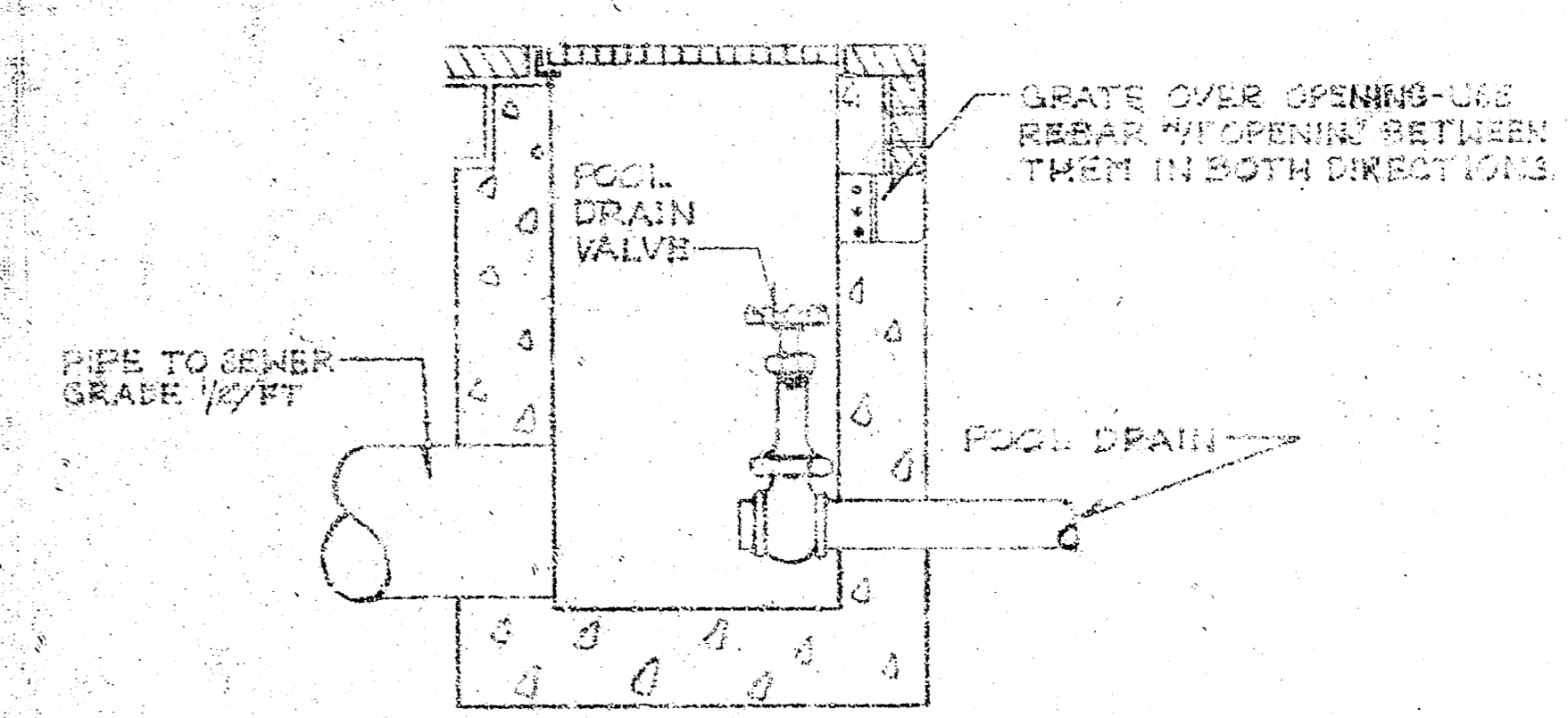
MATERIAL LIST

- Storm sewer - 15" reinforced concrete pipe.
- Pump Suction & 6" pump discharge and drain piping schedule 40 PVC pipe with socket fittings. Pump discharge same.
- Pump & Drain Connections - Schedule 40 PVC pipe with socket fittings or cast iron pipe with flanged fittings between pump and shut-off valves.
- Pump - Horizontal non-clog pump with cast iron impeller and mechanical seal - Wetline type HH or equal. Capacity 200 GPM at 28 ft. head 1750 RPM 2 HP 265/60/3. FL. ELEV. 110.0
- Shut-off valve - Handcock 45100 - non-freezing type with 3/4" hose connection and 3" pipe connection.

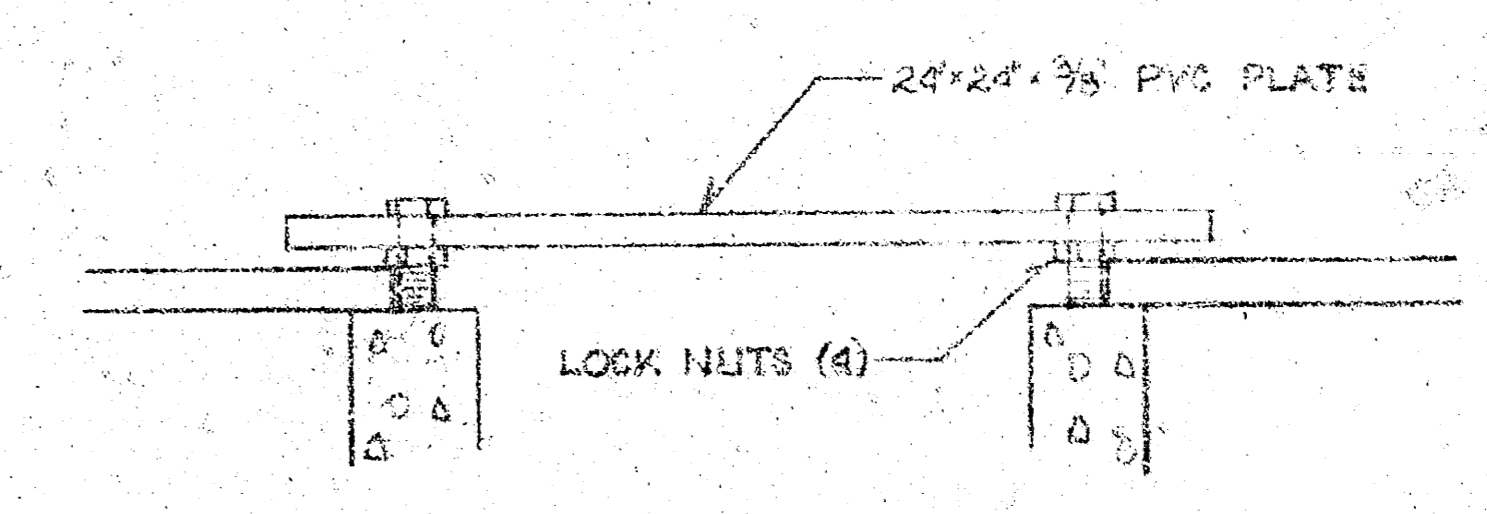
NOTE TO CONTRACTOR
This project will be constructed under the supervision of the CITY ENGINEER



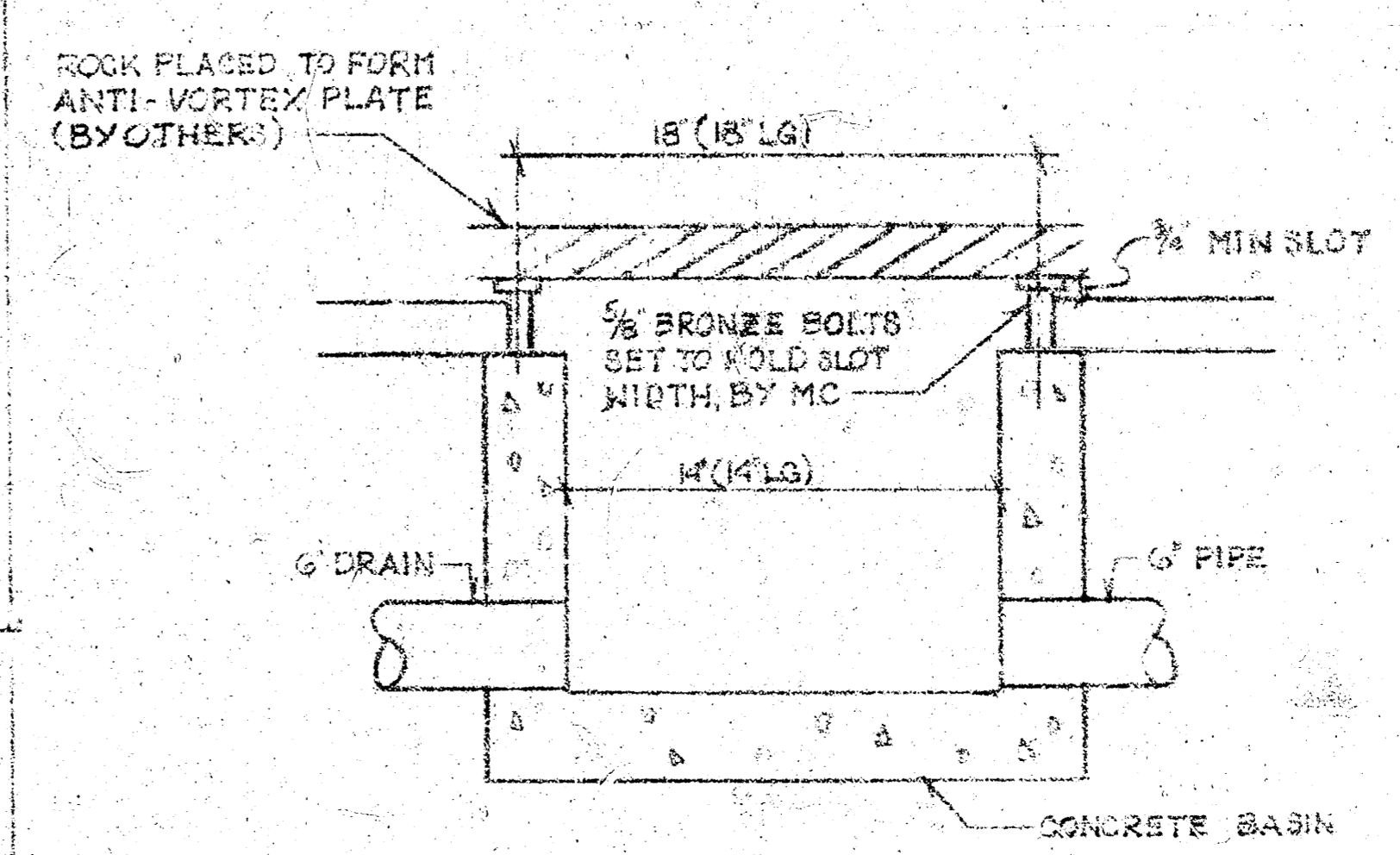
LEVEL CONTROL DETAIL
NO SCALE



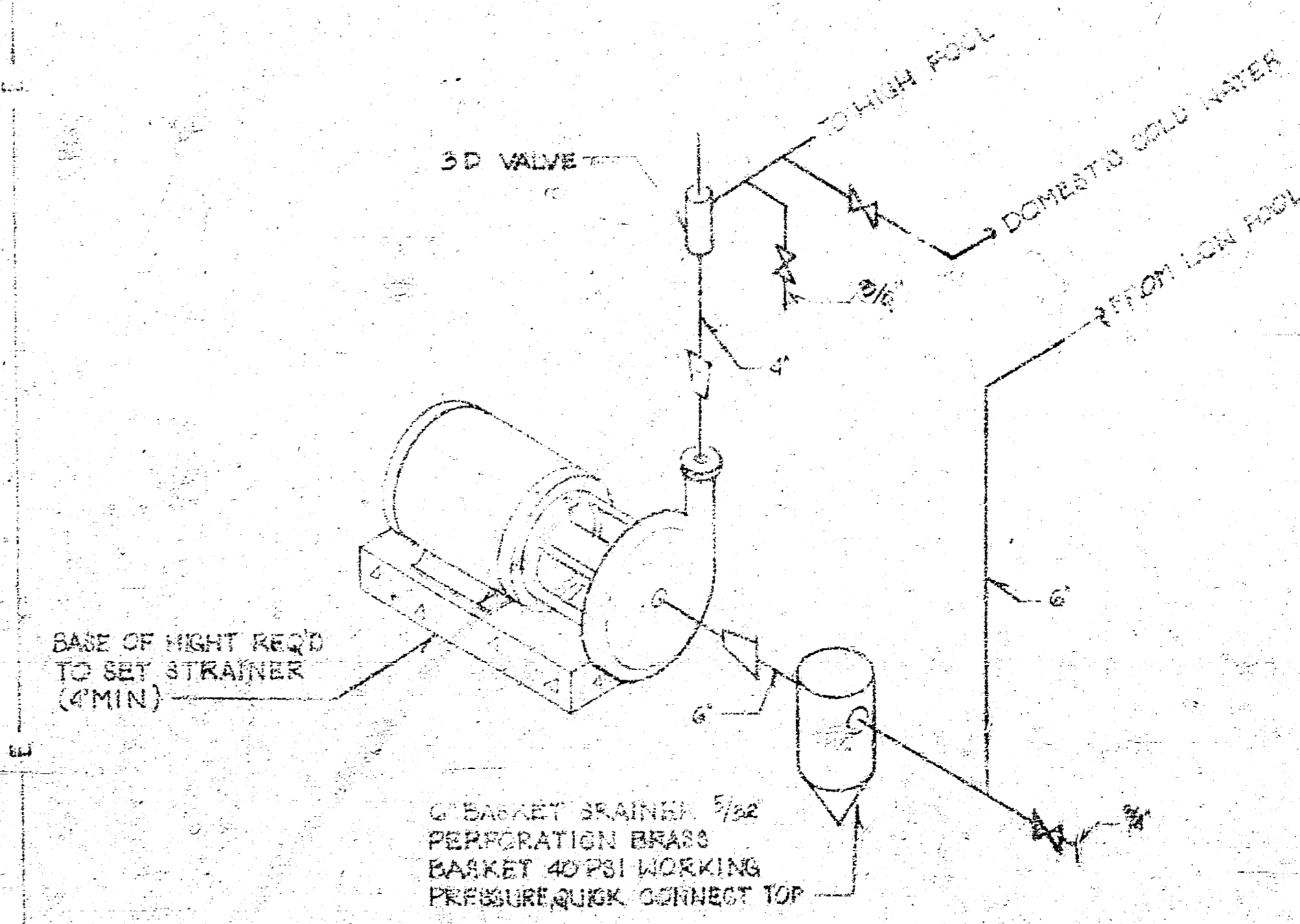
STORM DRAIN DETAIL
NO SCALE



ALTERNATE ANTI-VORTEX PLATE
NO SCALE



DRAIN DETAIL
NO SCALE



PUMP PIPING DETAIL
NO SCALE

APPROVED AS NOTED
By CITY ENGINEER OF WICHITA