

HARVEST CHAPEL ADDITION
(Drainage)

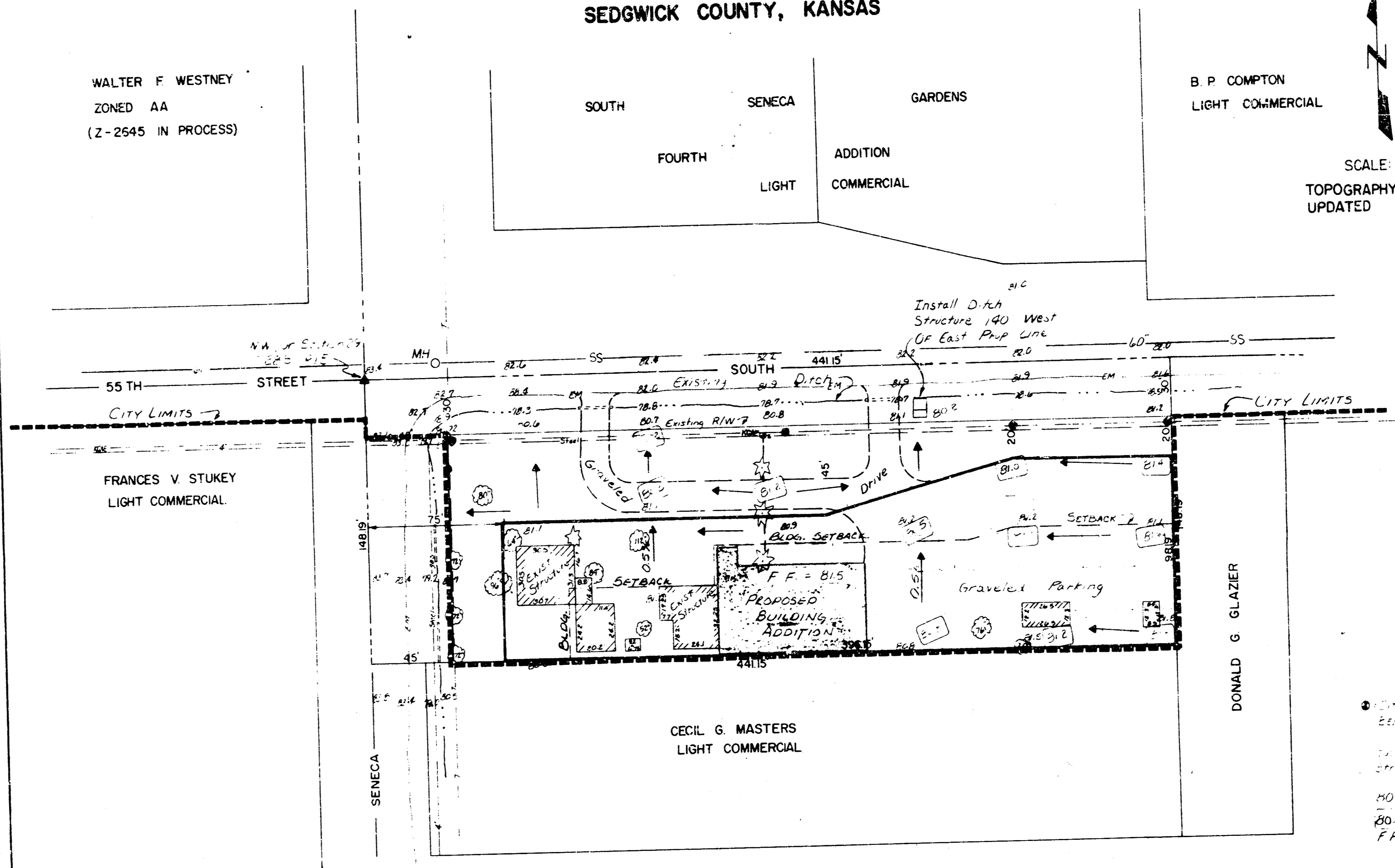
HARVEST CHAPEL ADDITION
SEDGWICK COUNTY, KANSAS

WALTER F. WESTNEY
ZONED AA
(Z-2645 IN PROCESS)

SOUTH FOURTH
SENECA LIGHT
GARDENS ADDITION
COMMERCIAL

B. P. COMPTON
LIGHT COMMERCIAL

SCALE: 1" = 40'
TOPOGRAPHY 11/22/80
UPDATED 10/7/85



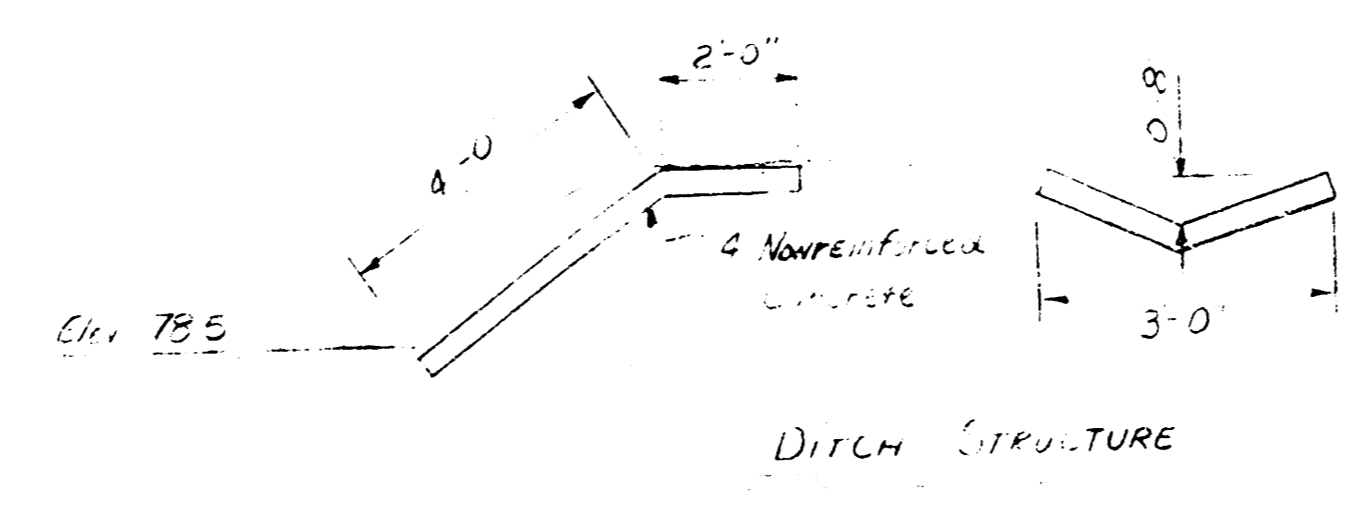
FRANCES V. STUKEY
LIGHT COMMERCIAL

CECIL G. MASTERS
LIGHT COMMERCIAL

DONALD G. GLAZIER

• 2" Dia. 10' Long
 • 4" Dia. 10' Long
 • 6" Dia. 10' Long
 • 8" Dia. 10' Long
 • 10" Dia. 10' Long
 • 12" Dia. 10' Long
 • 14" Dia. 10' Long
 • 16" Dia. 10' Long
 • 18" Dia. 10' Long
 • 20" Dia. 10' Long
 • 22" Dia. 10' Long
 • 24" Dia. 10' Long
 • 26" Dia. 10' Long
 • 28" Dia. 10' Long
 • 30" Dia. 10' Long
 • 32" Dia. 10' Long
 • 34" Dia. 10' Long
 • 36" Dia. 10' Long
 • 38" Dia. 10' Long
 • 40" Dia. 10' Long
 • 42" Dia. 10' Long
 • 44" Dia. 10' Long
 • 46" Dia. 10' Long
 • 48" Dia. 10' Long
 • 50" Dia. 10' Long
 • 52" Dia. 10' Long
 • 54" Dia. 10' Long
 • 56" Dia. 10' Long
 • 58" Dia. 10' Long
 • 60" Dia. 10' Long
 • 62" Dia. 10' Long
 • 64" Dia. 10' Long
 • 66" Dia. 10' Long
 • 68" Dia. 10' Long
 • 70" Dia. 10' Long
 • 72" Dia. 10' Long
 • 74" Dia. 10' Long
 • 76" Dia. 10' Long
 • 78" Dia. 10' Long
 • 80" Dia. 10' Long
 • 82" Dia. 10' Long
 • 84" Dia. 10' Long
 • 86" Dia. 10' Long
 • 88" Dia. 10' Long
 • 90" Dia. 10' Long
 • 92" Dia. 10' Long
 • 94" Dia. 10' Long
 • 96" Dia. 10' Long
 • 98" Dia. 10' Long
 • 100" Dia. 10' Long

NOTE:
Drains for South Roof shall collect water and direct it Northward.



| | | | |
|---|---------|------------------------|--|
| Part A | 5-2-80 | 1/17/80 | Separate City Approval |
| HARVEST CHAPEL CHURCH WICHITA, KANSAS | | | |
| DRAINAGE PLAN HARVEST CHAPEL ADDITION | | | |
| CASTLE & ASSOCIATES ENGINEERS WICHITA, KANSAS | | DSR DW CH APP | DW: PREP BY 8537-C-20-104 SHEET NO. 1 OF 1 |
| DATE | 12-1-78 | | |