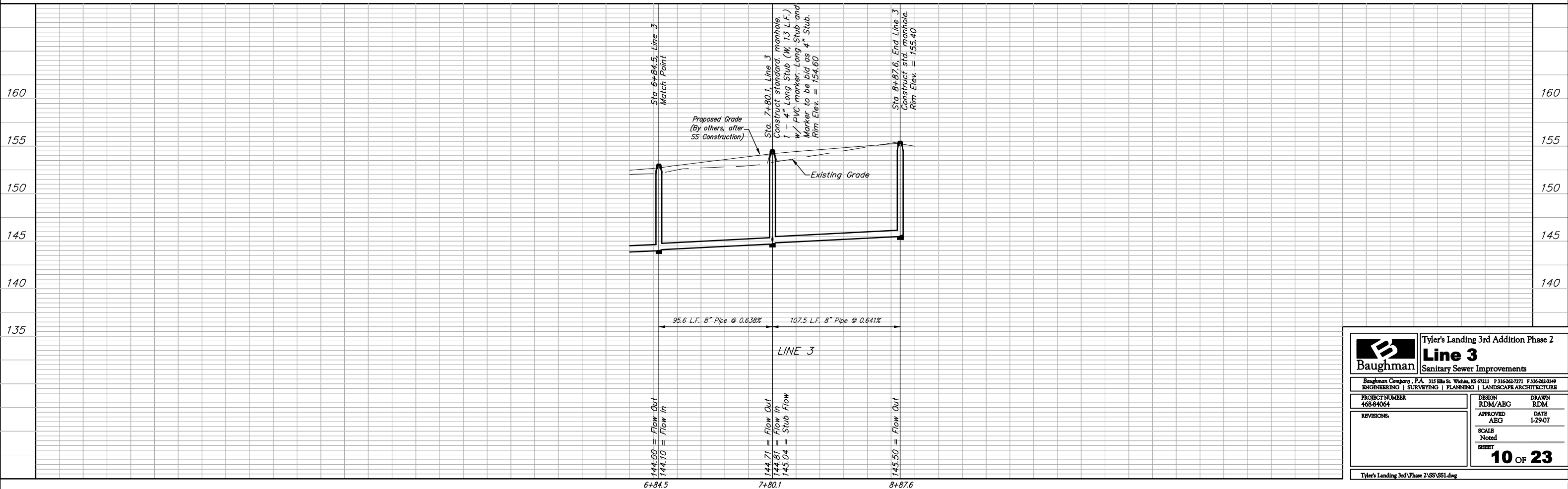
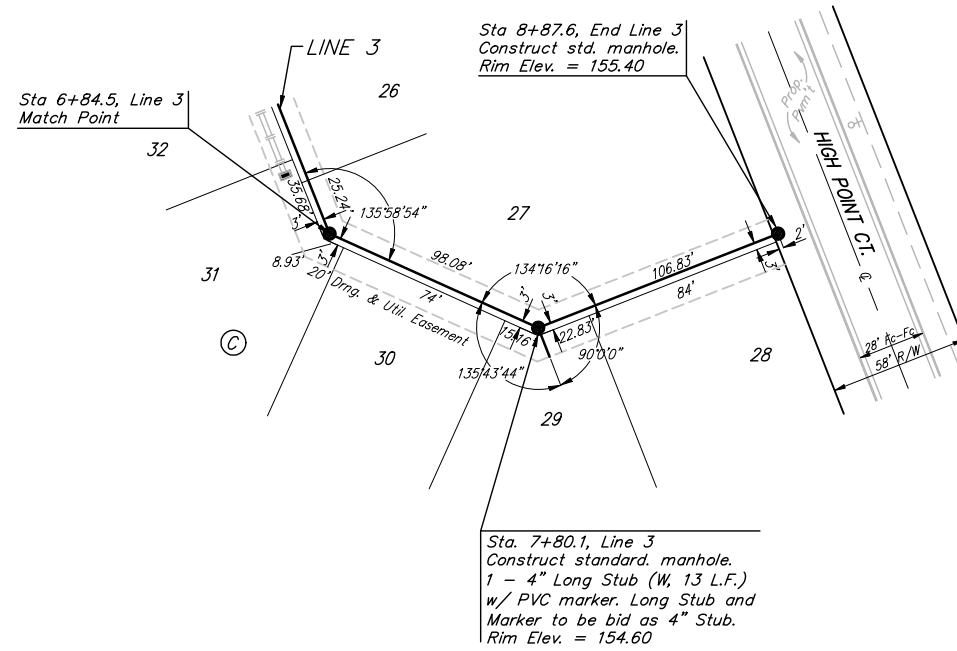


Benchmarks:
 BM #1: "□" Cut in Middle of Curb Inlet Top, North Curb of Conrey, Adjacent to SW Corner of Lot 14, Block A, Tyler's Landing 3rd Addition. Elev. = 150.29 (1337.69 M.S.L.)

BM #2: "□" Cut in Top of East Curb of High Point, 10' South of End of Return. Adjacent to Lot 1, Block D, Tyler's Landing Addition. Elev. = 155.28 (1342.68 M.S.L.)

Scale: 1" = 40' Horizontal
 1" = 5' Vertical
 ● = Iron



		Tyler's Landing 3rd Addition Phase 2	
		Line 3	
		Sanitary Sewer Improvements	
<small>Baughman Company, P.A. 315 Ellis St. Wichita, KS 67211 P 316-262-7771 F 316-262-0149 ENGINEERING SURVEYING PLANNING LANDSCAPE ARCHITECTURE</small>			
PROJECT NUMBER 468-84064	DESIGN RDM/ABG	DRAWN RDM	DATE 1-29-07
REVISIONS	APPROVED ABG	SCALE Noted	SHEET
		10 OF 23	
<small>Tyler's Landing 3rd Phase 2\SS\SS1.dwg</small>			