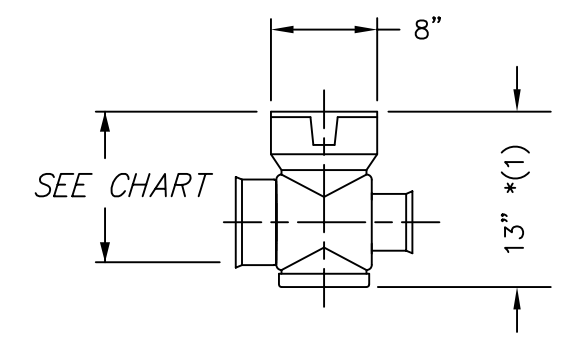
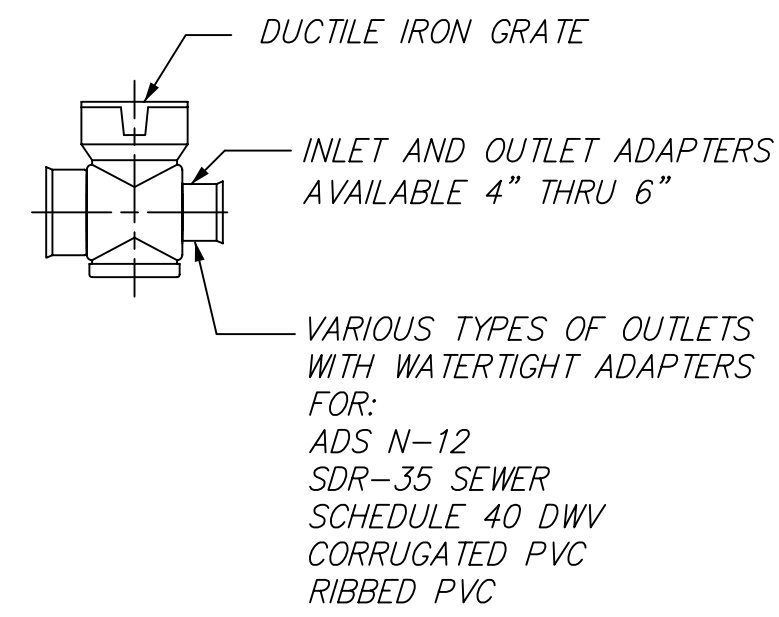


8" STANDARD DRAIN BASIN

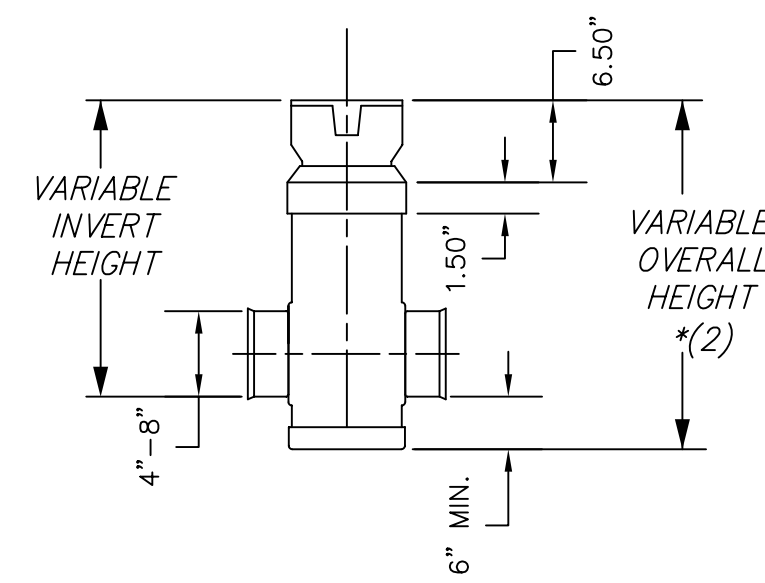
2808AG__X



*(1) FIXED OVERALL HEIGHT

ADAPTER SIZE	FIXED INVERT HEIGHT
4"	10.25"
6"	11.13"

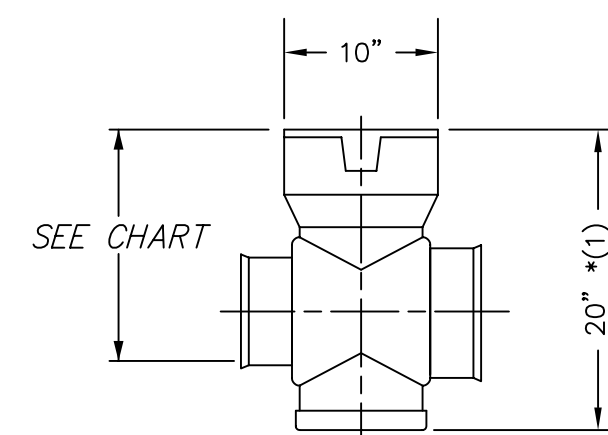
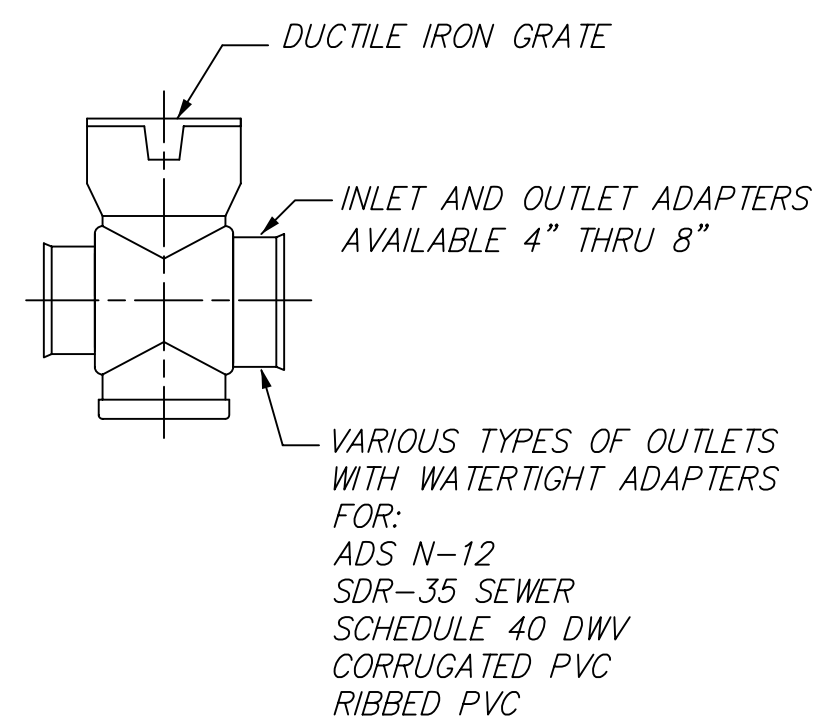
8" CUSTOM DRAIN BASIN



*(2) MAXIMUM RECOMMENDED OVERALL HEIGHT 10'

10" STANDARD DRAIN BASIN

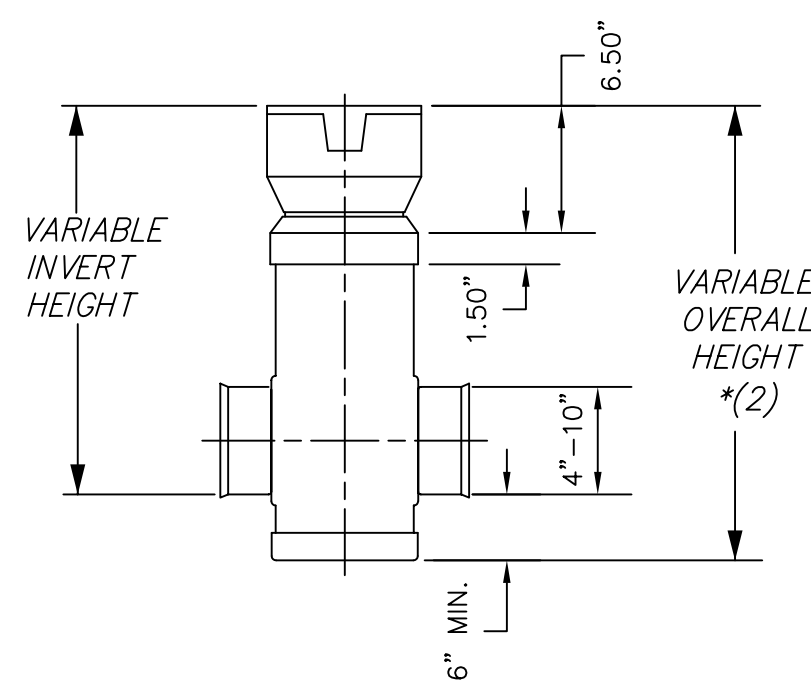
2810AG__X



*(1) FIXED OVERALL HEIGHT

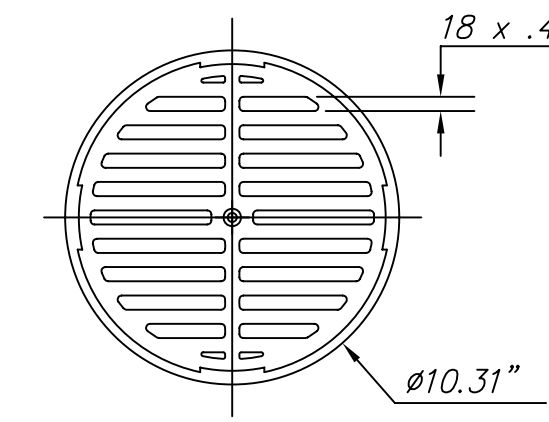
ADAPTER SIZE	FIXED INVERT HEIGHT
4"	13.75"
6"	14.62"
8"	15.62"

10" CUSTOM DRAIN BASIN



*(2) MAXIMUM RECOMMENDED OVERALL HEIGHT 10'

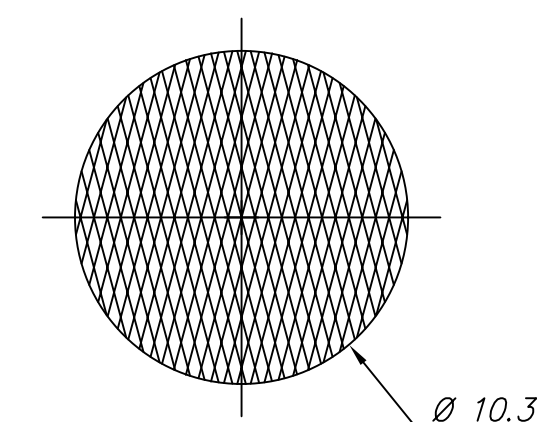
1099CGS



*STANDARD

APPROX. DRAIN AREA = 28.28 SQ. IN.
 APPROX. WEIGHT = 5.14 LBS.

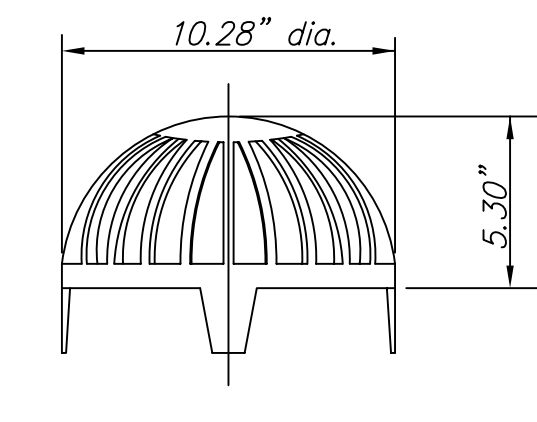
1099CGC



SOLID

APPROX. WEIGHT = 6.42 LBS.

1099CGD



DOMED

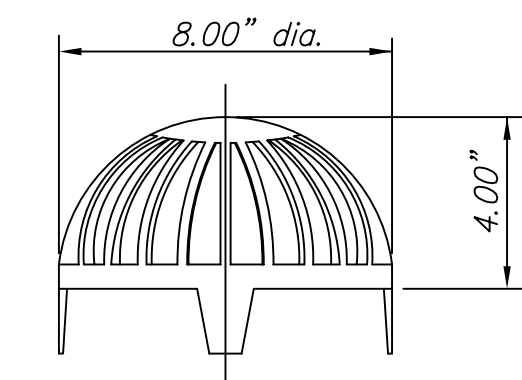
APPROX. DRAIN AREA = 54.00 SQ. IN.
 APPROX. WEIGHT = 8.36 LBS.

NYLOPLAST 10" GRATES/COVERS

STANDARD GRATE HAS A LIGHT DUTY RATING
 SOLID COVER HAS A LIGHT DUTY RATING
 DOMED GRATE HAS A LIGHT DUTY RATING
 QUALITY: MATERIALS SHALL CONFORM TO ASTM A536 GRADE 70-50-05
 MATERIAL: DUCTILE IRON
 PAINT: CASTINGS ARE FURNISHED WITH A BLACK PAINT
 LOCKING DEVICE AVAILABLE UPON REQUEST FOR STANDARD & SOLID ONLY

* SIZE OF OPENING MEETS REQUIREMENTS OF AMERICAN DISABILITY ACT AS STATED IN FEDERAL REGISTER PART III, DEPARTMENT OF JUSTICE, 28 CFR PART 36. NONDISCRIMINATION ON THE BASIS OF DISABILITY BY PUBLIC ACCOMMODATIONS AND IN COMMERCIAL FACILITIES; FINAL RULE.

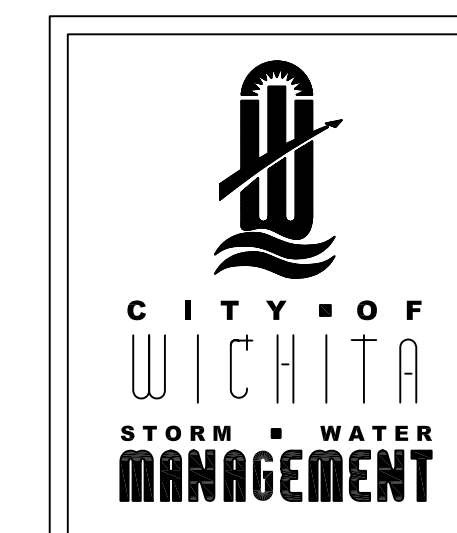
0899CGD



DOMED

APPROX. DRAIN AREA = 30.00 SQ. IN.
 APPROX. WEIGHT = 4.54 LBS.

NYLOPLAST 8" GRATES/COVERS



SWS IMPROVEMENTS
 WESTLINK 14TH
 ADDITION

CITY ENGINEER JAMES L. ARMOUR, P.E.		
PROJECT NUMBER 468-84448	OCA NUMBER 660529	DATE 10/07
CITY ENGINEER'S OFFICE CITY HALL - SEVENTH FLOOR 455 NORTH MAIN STREET WICHITA, KANSAS 67202-1620 (316) 268-4501 (316) 268-4114 FAX		DESIGN DEA
		DRAWN DEA
		SHEET 3 OF 3