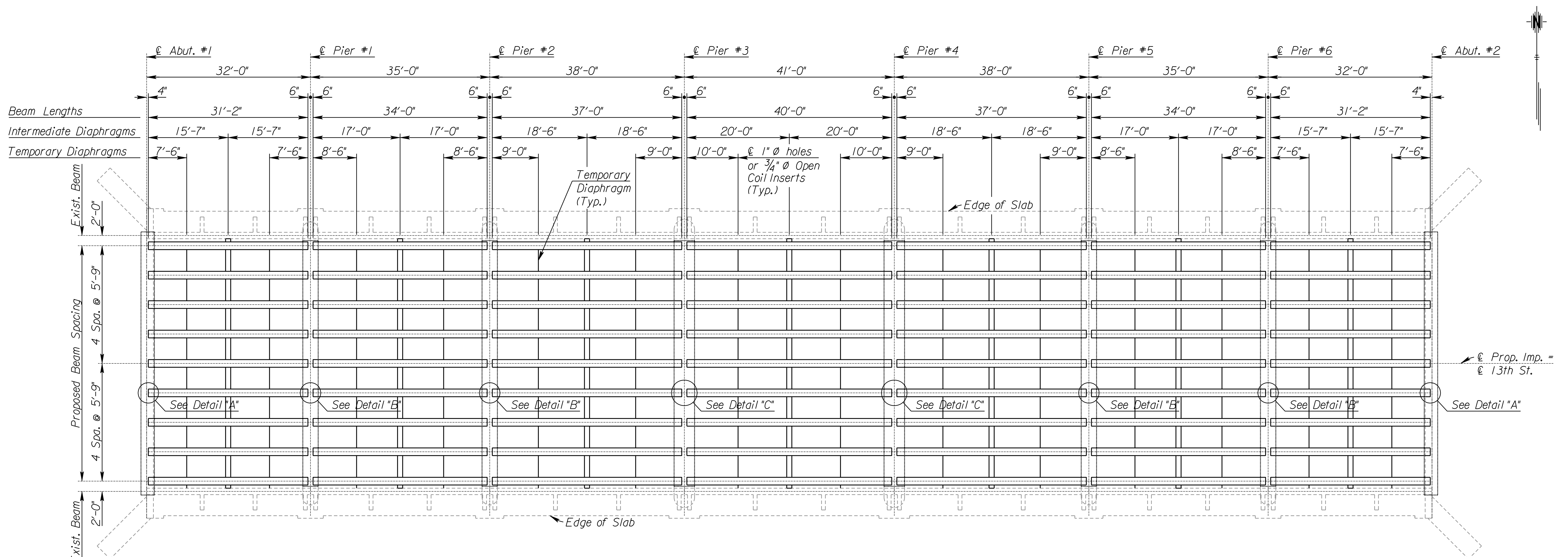
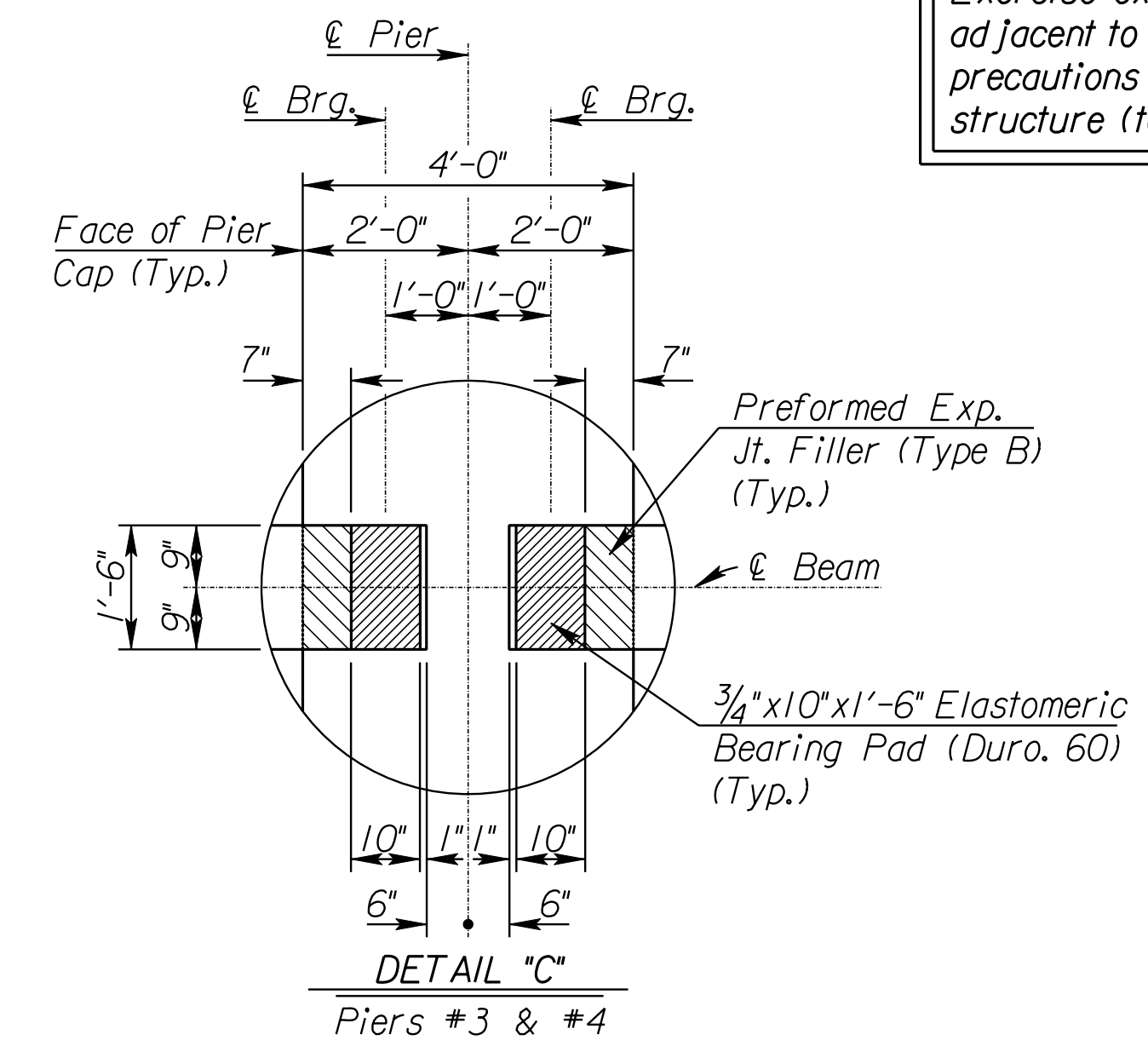
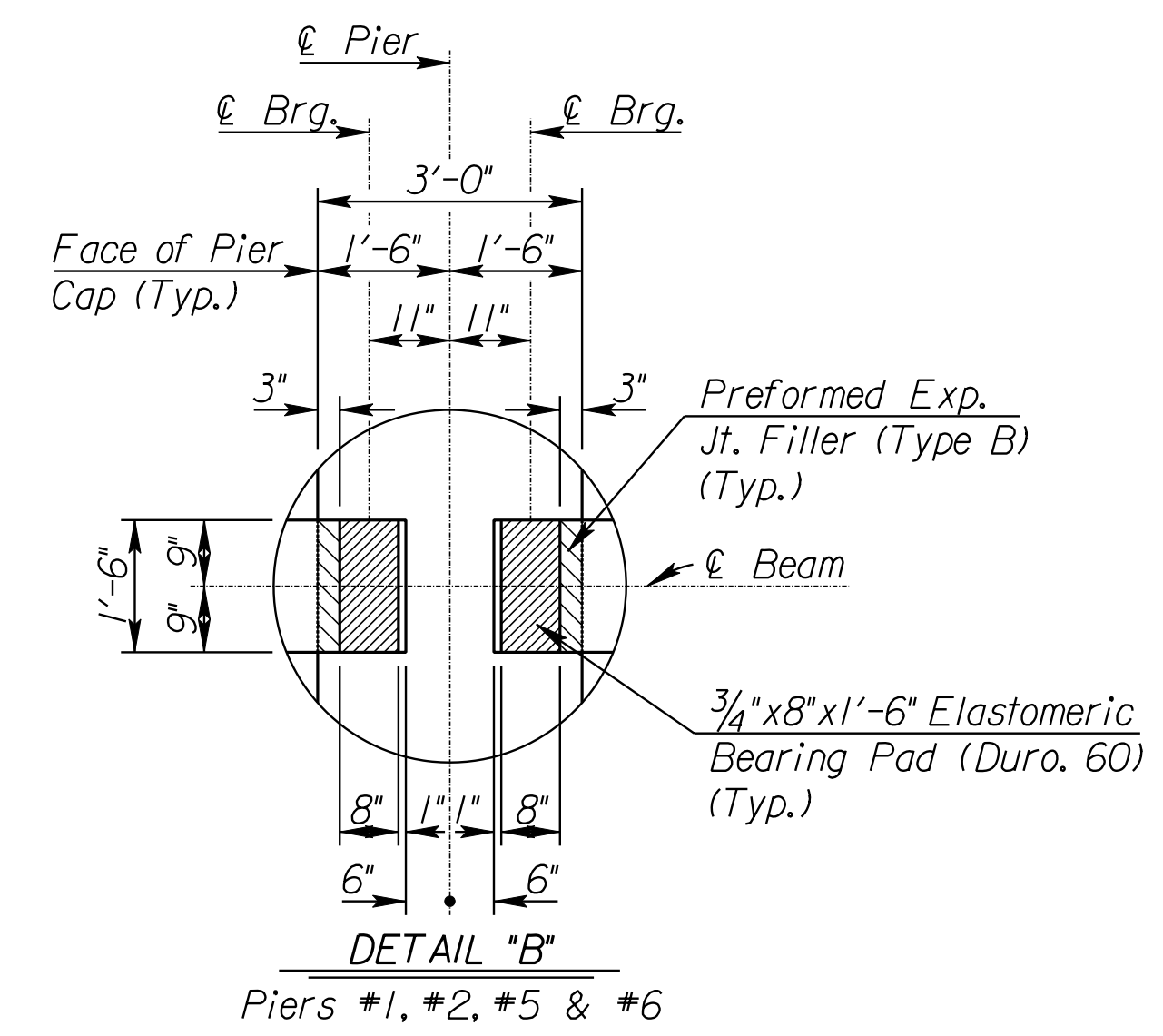
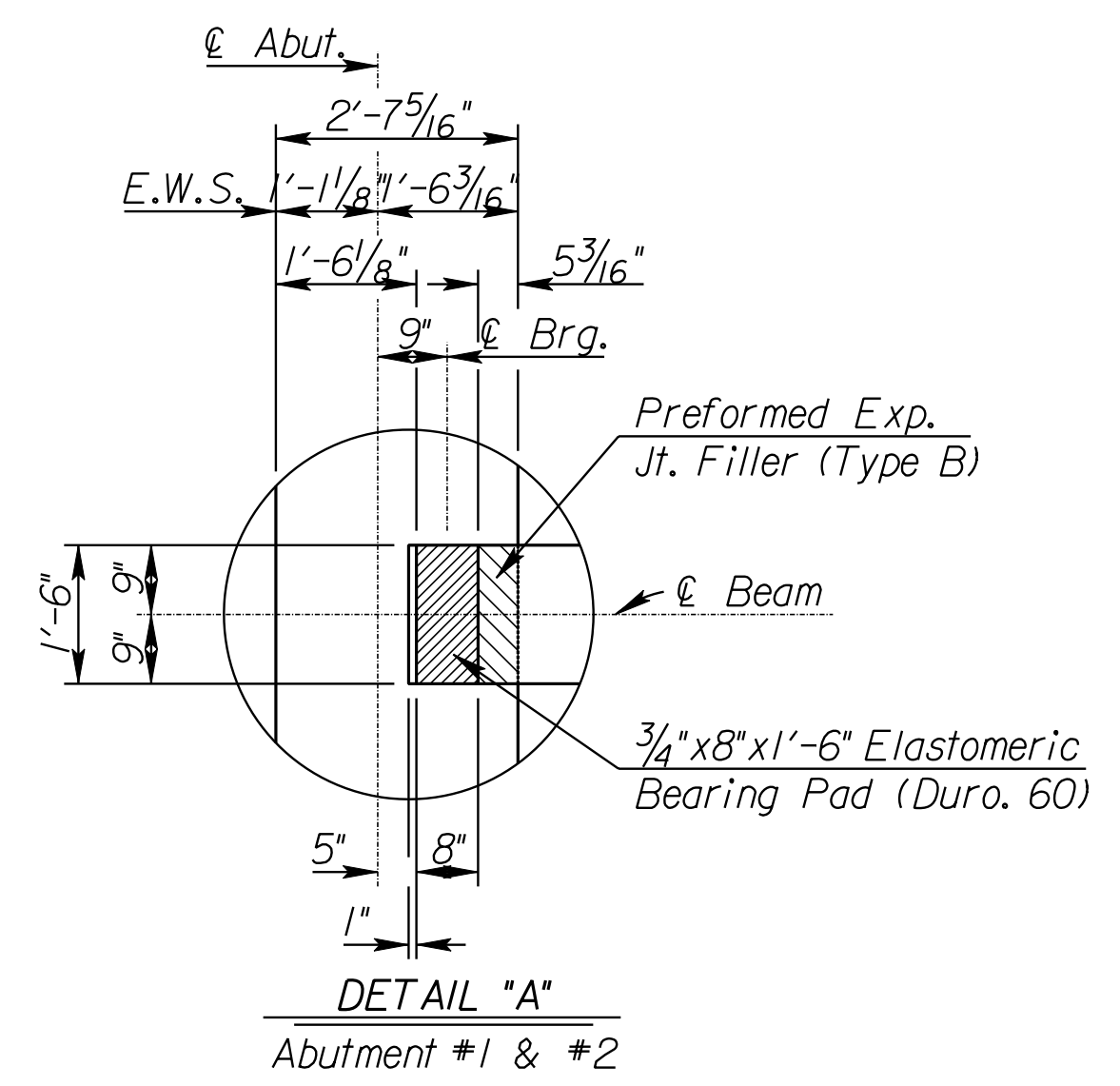


STATE	PROJECT NO.	YEAR	SHEET NO.	TOTAL SHEETS
KANSAS	TE-0284-01	2007	26	47



FRAMING PLAN

CAUTION!
 Exercise extreme care in placing the proposed beams adjacent to the existing exterior girder! Take extra precautions to not impact the existing sidewalk structure (to remain in place) or the aesthetic elements.



CITY OF WICHITA
 JAMES ARMOUR, P.E., CITY ENGINEER
 13TH STREET BRIDGE OVER
 LITTLE ARKANSAS RIVER
FRAMING PLAN

PB PARSONS BRINCKERHOFF
 122 W. Wichita, Kansas

SCALE: _____ DATE: 10/9/2007 DWG NO.: 35750A

K:\35750A\CADD\SHEETS\BRIDGE\13THFRM.dgn
 SURV. JG, CP | PLOT CADD | DES. AH | DR. GBI | TR. CKD. BS | APP. RG