

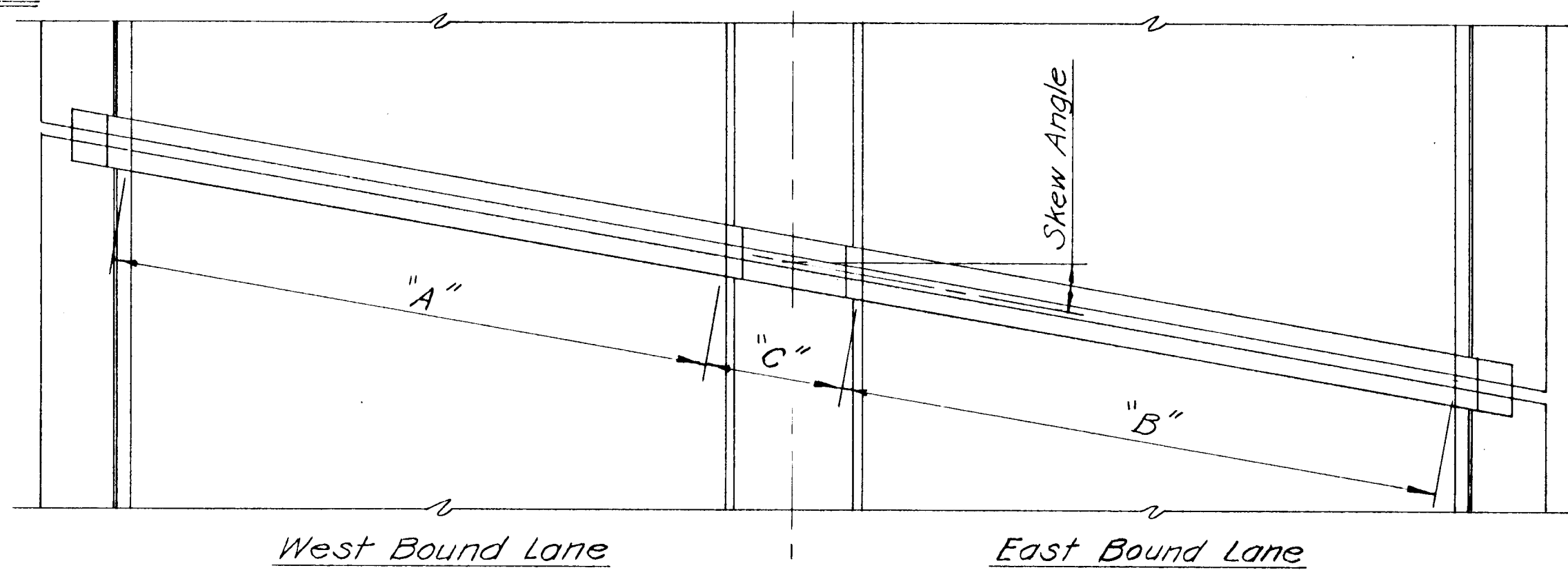
At Abut. #1 only, the expansion device in curb is perpendicular to the curb line. (Typical both curbs)

PART CROSS-SECTION (Normal to E)
(Typical for Abut. #1, Pier #3 & Pier #9)

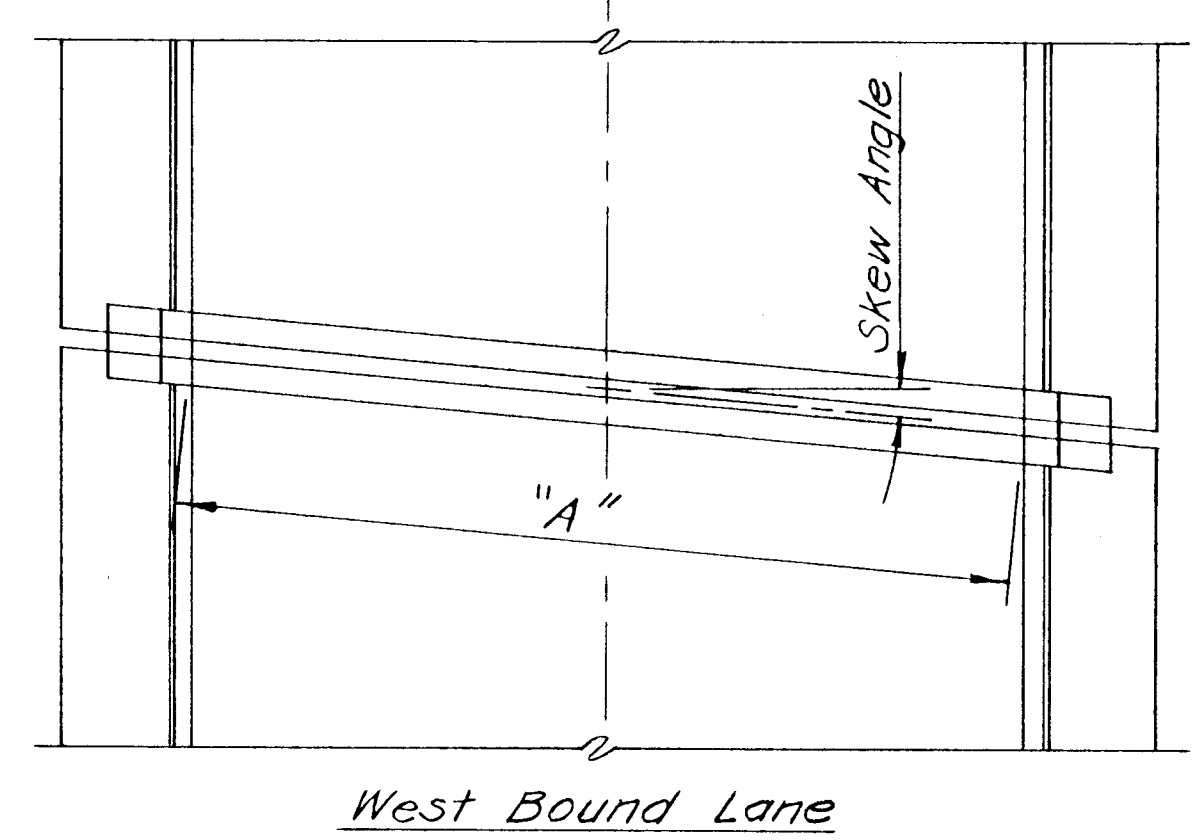
Note: Dimensions A, B & C are horizontal dimensions measured along E exp device from new curb line to new curb line. Dimensions taken from old plans. Contractor shall verify dimensions in field before ordering material.

PART CROSS-SECTION (Normal to E)
(Typical for Pier #16 & Abut. #2)

ABUT. NO. 1 CURB

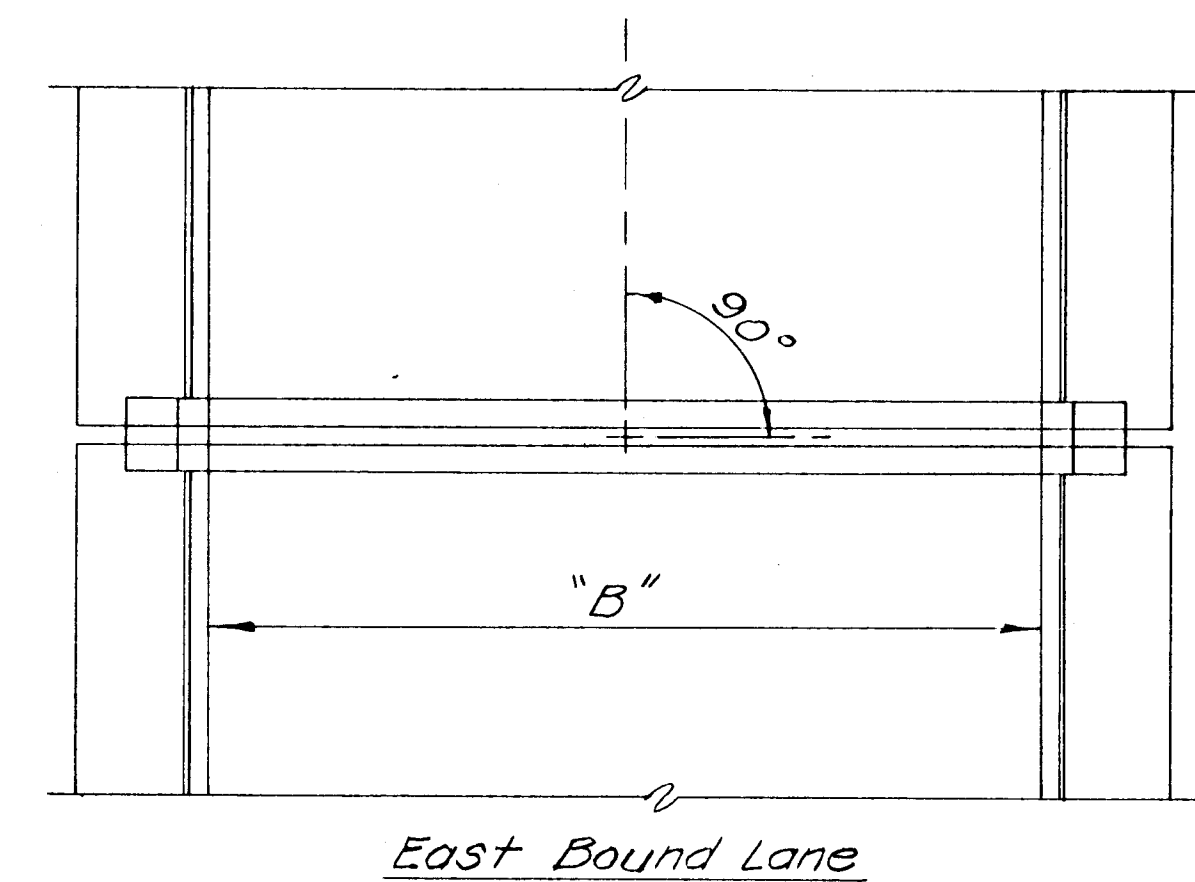


PLAN VIEW
(Typical for Abut. #1, Pier #3 & Pier #9)

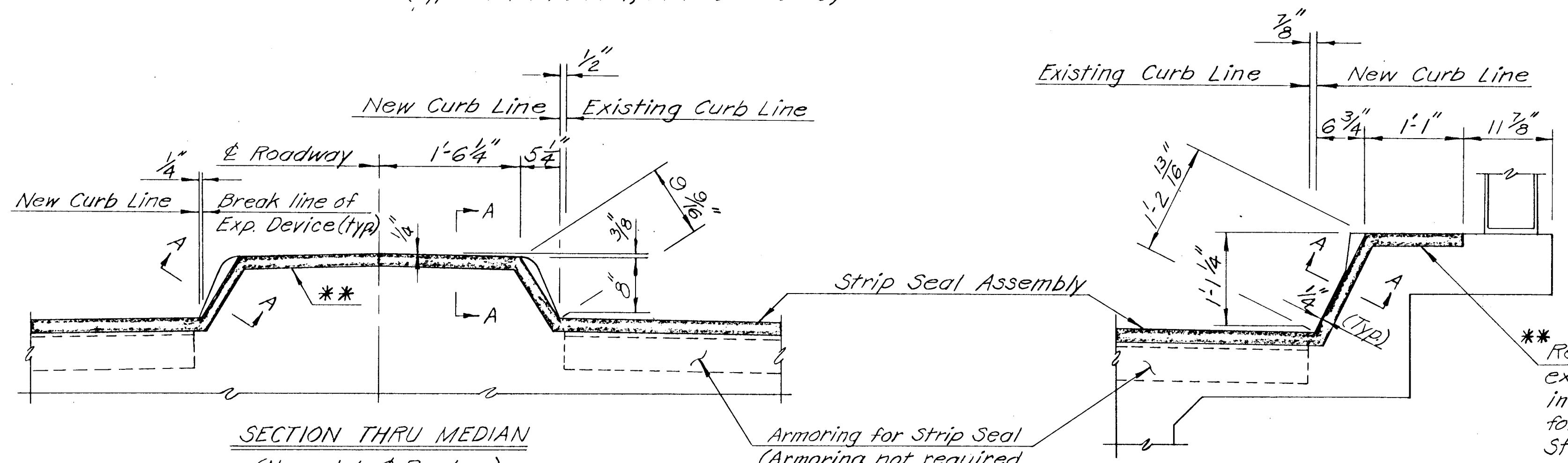


West Bound Lane

PLAN VIEW
(Typical for Pier #16 & Abut. #2)



East Bound Lane



SECTION THRU MEDIAN
(Normal to E Roadway)

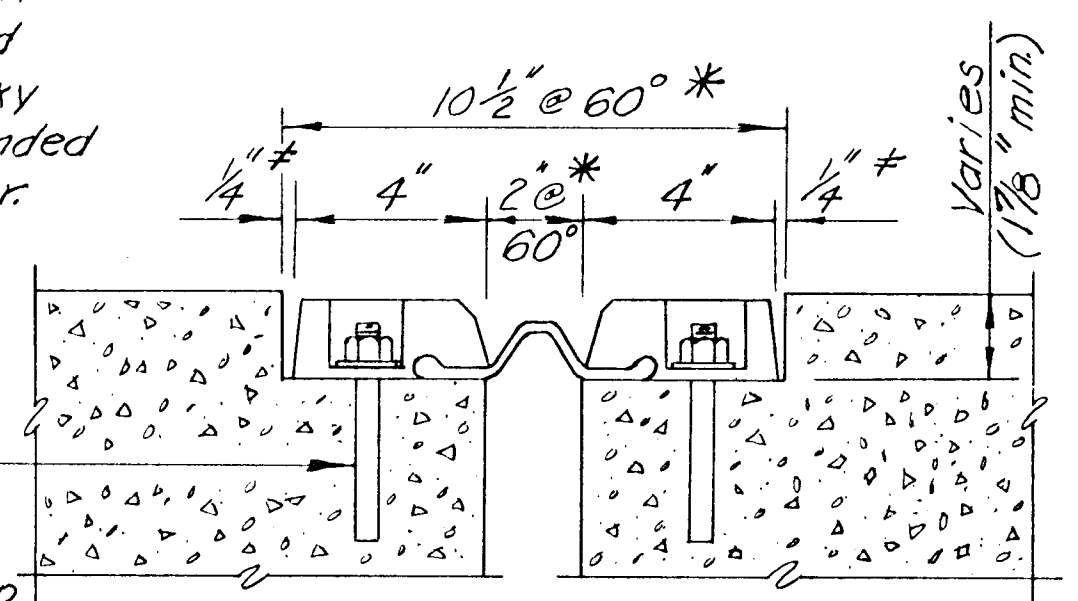
SECTION THRU PARAPET
(Normal to E Roadway)

** Remove existing sliding plate expansion device as necessary in the curbs & median to allow for proper installation of the Strip Seal Assembly. Curbs & median shall be reconstructed with block-outs as shown to receive the new Strip Seal. This work shall be subsidiary to "Strip Seal Assembly".

* The 1/4" gap & the bolt wells shall be filled with a flexible epoxy sealant as recommended by the manufacturer.

* See "Strip Seal Assembly" detail sheet for gap adjustment due to temperature at time of installation.

1/2" x 13 x 4 1/2" A325 bolt or threaded rods in curbs. (Space as required by the supplier of the Strip Seal Assembly.)



SECTION A-A

	Skew Angle (° Right)	"A"			Slope ft/ft	
		W. Bd.	E. Bd.	Median	W. Bd.	E. Bd.
Abut. #1	12° 37'	28'-9 1/2"	28'-9 1/2"	4'-0 3/16"	-.0544	+.0582
Pier #3	10° 0'	28'-6 9/16"	28'-6 9/16"	3'-11 3/4"	+.0021	+.0197
Pier #9	10° 0'	28'-6 9/16"	28'-6 9/16"	3'-11 3/4"	+.0148	+.0190
Pier #16	5° 22' 43"	26'-3 1/4"	26'-1 3/4"	—	+.0211	Level
Abut. #2	0°	26'-1 3/4"	26'-1 3/4"	—	+.0210	+.0210

3					
2					
1					
NO.	DATE	REVISIONS	BY	APP'D	

KANSAS DEPARTMENT OF TRANSPORTATION
Br. No. 54-87-25.80 Bridge Repair

EXPANSION JOINT DETAILS

Proj. No. 54-87-5942(2) Sedgwick Co.

SHEET NO. 9 OF 32	SCALE	APP'D
DESIGNED RAM	DETAILED RAM	QUANTITIES 3GB
DESIGN CK. 3GB	DETAIL CK. 3GB	QUAN. CK. RAM