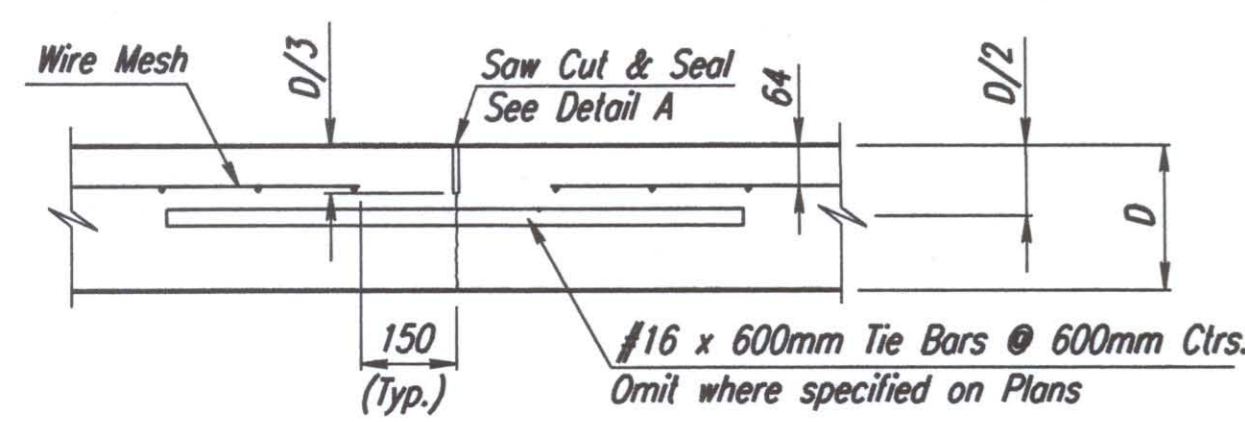
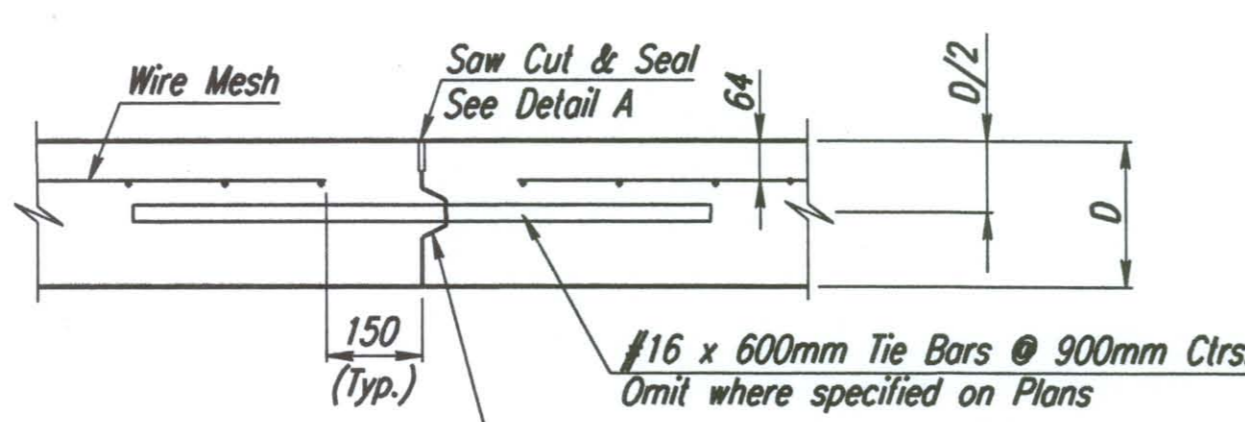


FHWA REGION NO.	STATE	PROJECT NO.	YEAR	SHEET NO.	TOTAL SHEETS
7	KANSAS	54-87 K-6657-01	2001	129	1122

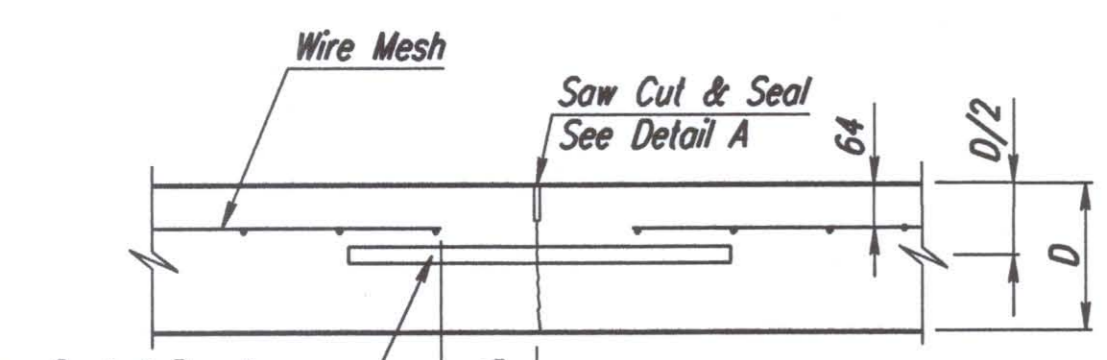
DATE	
BY	
REFERENCES NOTED	
REFERENCES CHECKED	



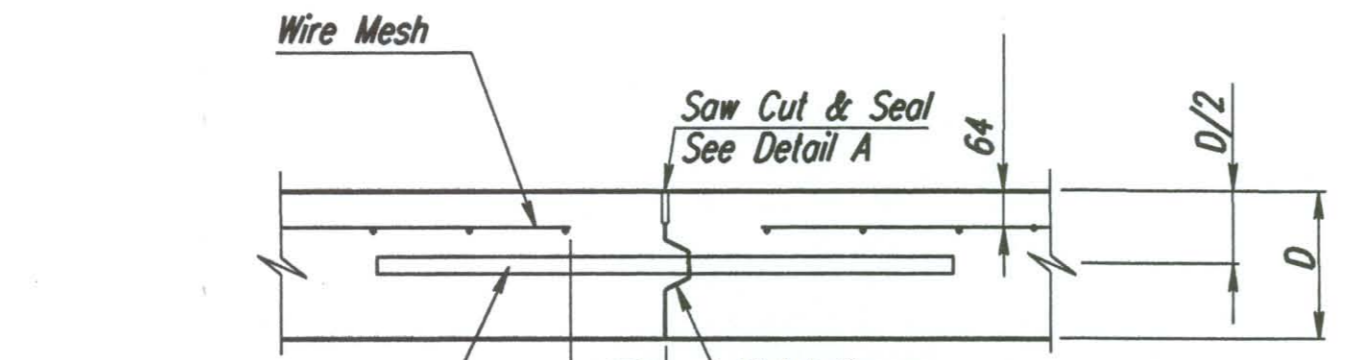
**LONGITUDINAL JOINT DETAIL
REINFORCED PAVEMENT
(TRANSVERSE SECTION)
(L.J.)**



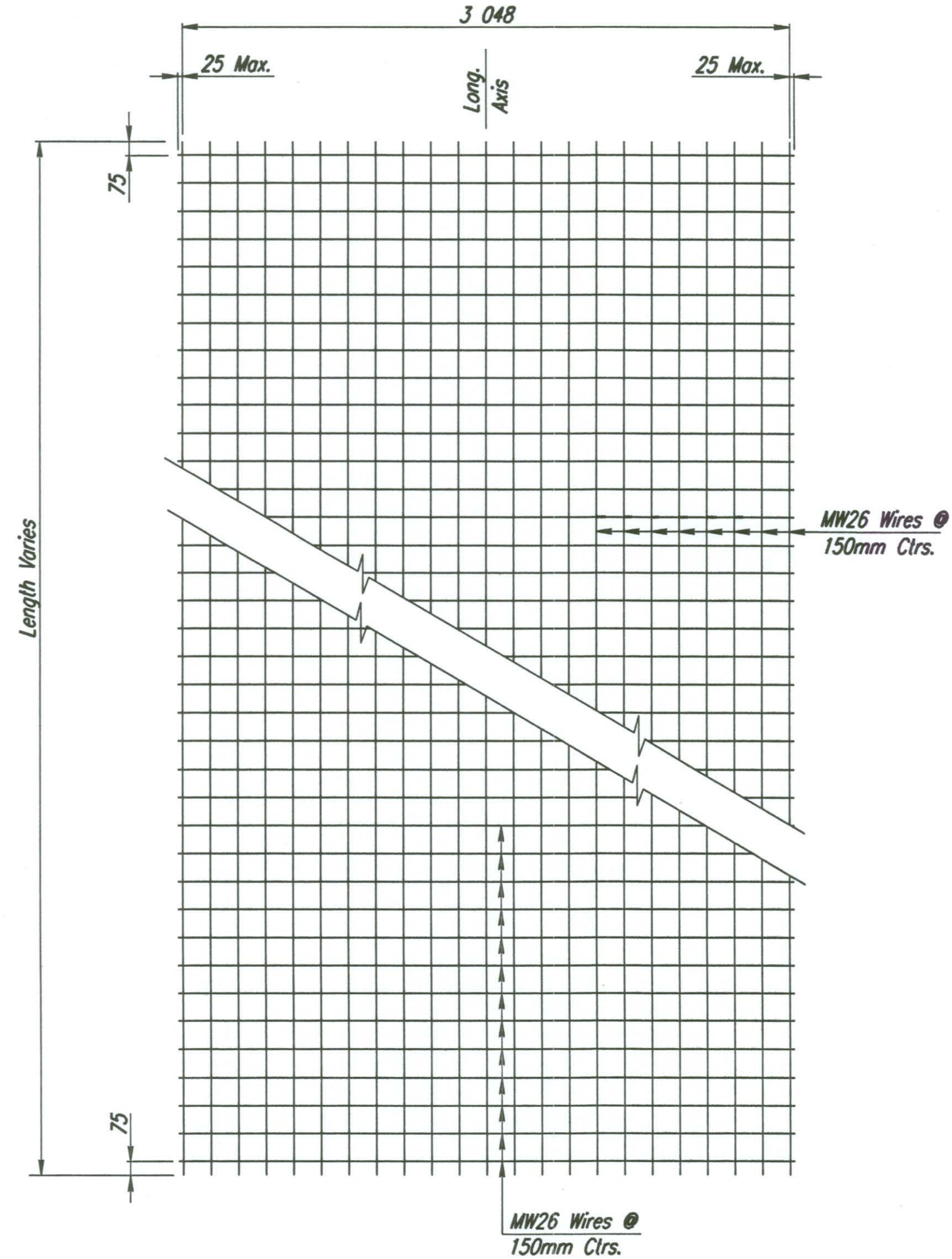
**LONGITUDINAL CONSTRUCTION JOINT DETAIL
REINFORCED PAVEMENT
(TRANSVERSE SECTION)
(L.J.)**



**TRANSVERSE CONTRACTION JOINT DETAIL
(C.J.)**

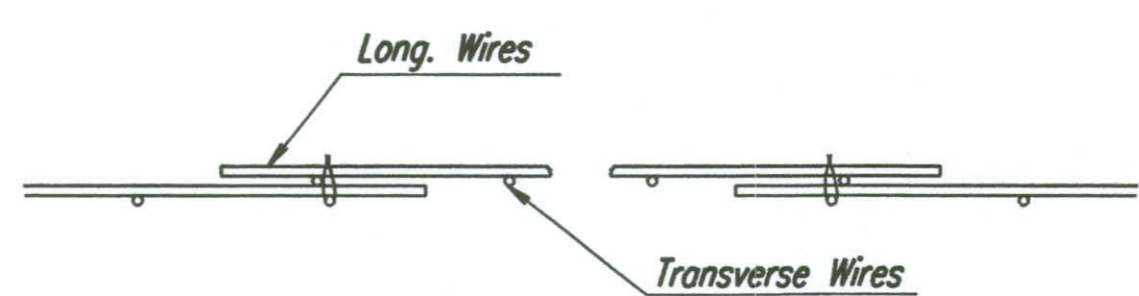


**TRANSVERSE CONSTRUCTION JOINT DETAIL
(C.J.)**



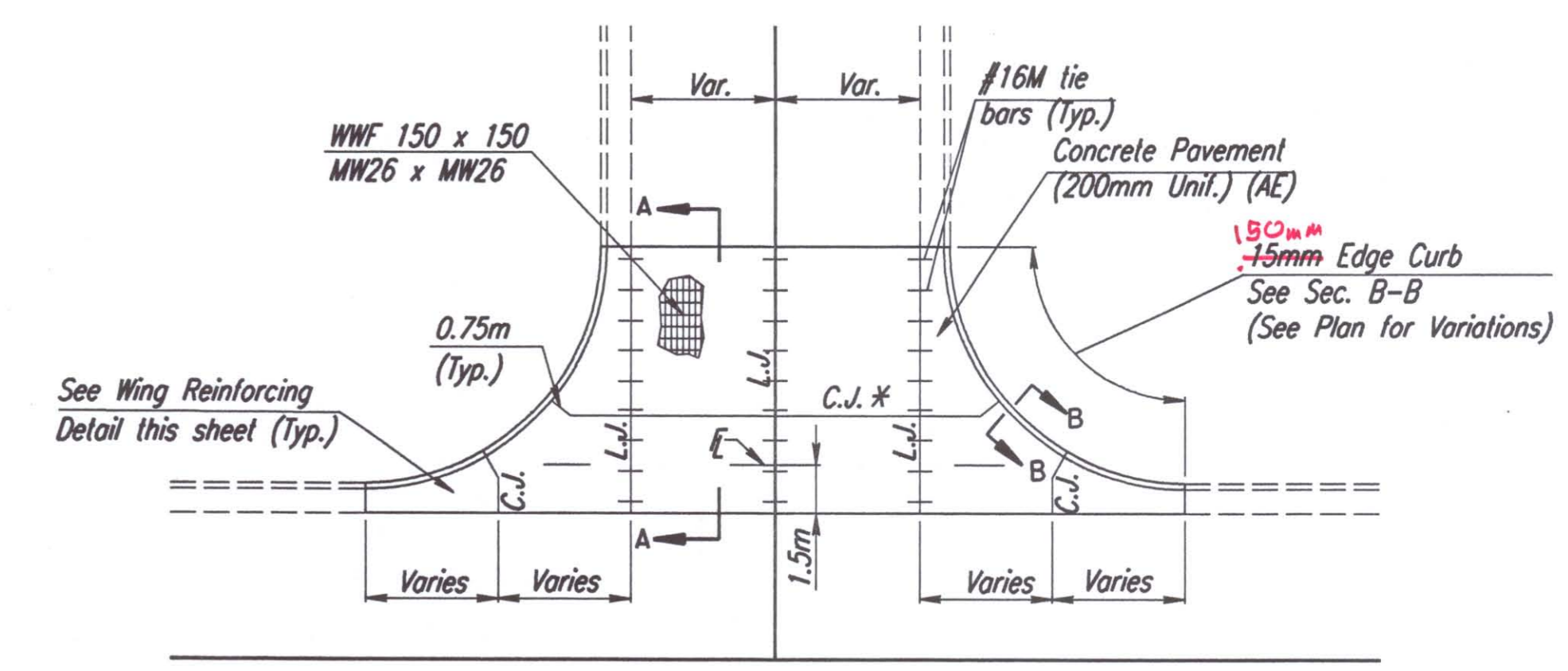
**TYPICAL SHEET OF WELDED WIRE MESH
(3.4m Lane Width Shown)**

The Contractor may provide a different pattern of fabric as long as a min. of 2.83 kg/m² of reinforcing is provided in each direction.

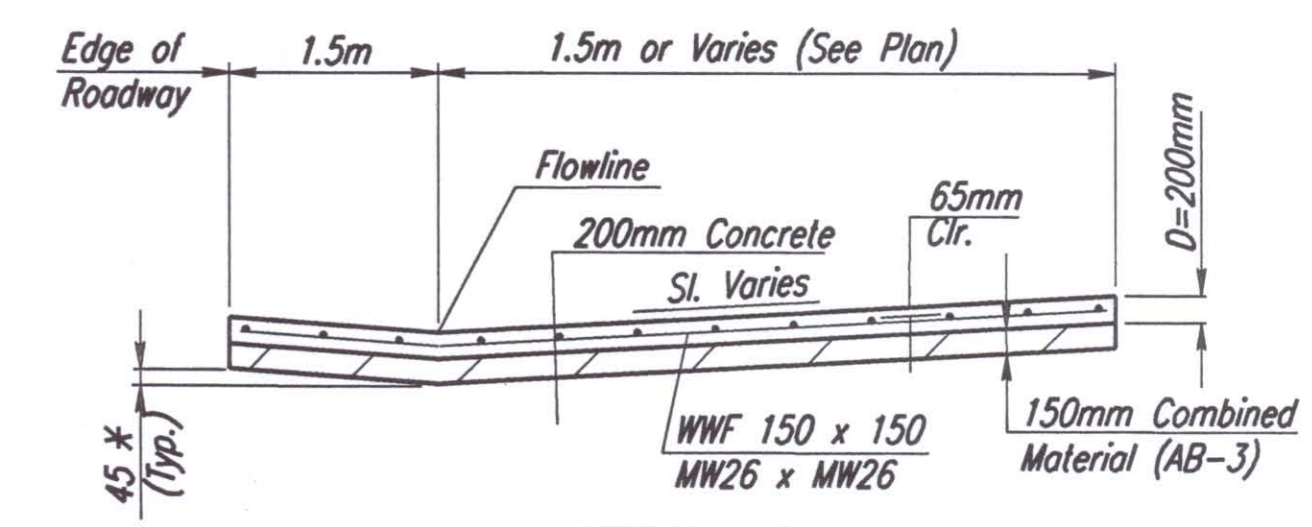


DETAIL OF LAP FOR WIRE MESH

NOTE: THE LAP SHALL EXTEND BEYOND THE FIRST TRANSVERSE OR LONGITUDINAL WIRE OF EACH SHEET.
THE SHEETS SHALL BE WIRED SECURELY AT THE EDGES AND AT INTERVALS NOT TO EXCEED 760mm FOR THE FULL WIDTH OF THE SHEET. APPROX. WEIGHT OF WIRE MESH = 2.83 KG PER M²
OTHER METHODS FOR FASTENING THE SHEETS OF WIRE MESH AT THE LAPS MAY BE USED WITH THE APPROVAL OF THE ENGINEER.

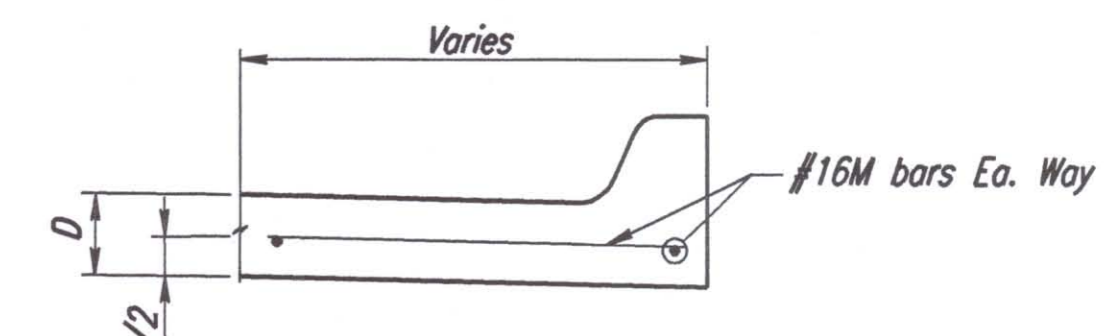


PLAN

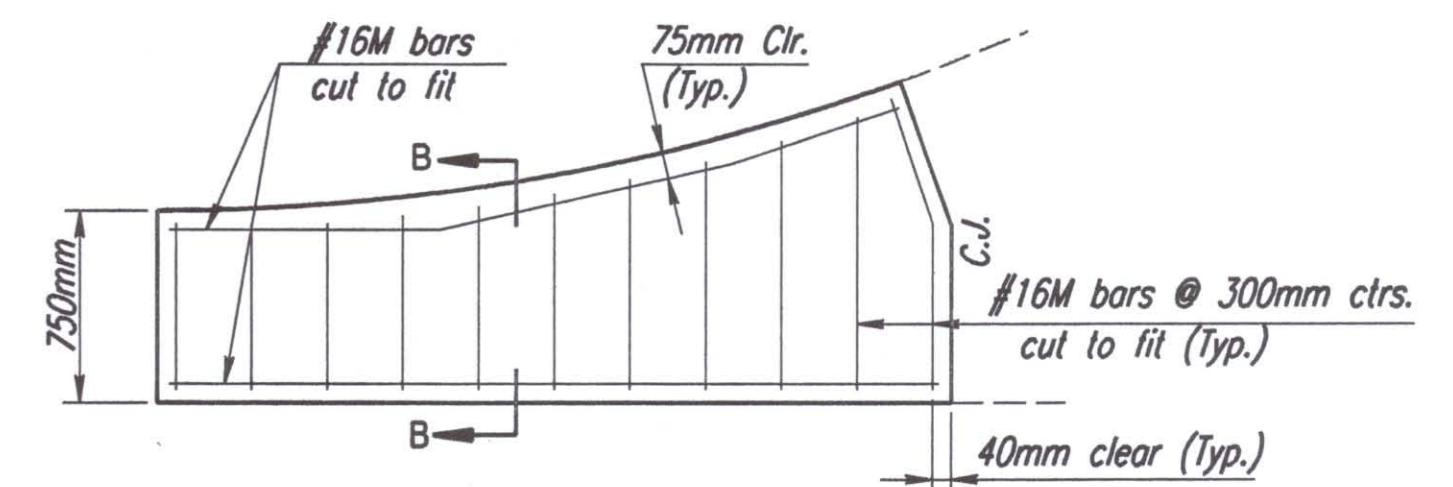


SECTION A-A

Note: Omit reinforcing mesh at all joints.
Note: All concrete reinforcement shall be adequately supported by bar chairs in the required position unless approved otherwise by the Engineer.
* See intersection details for variations.



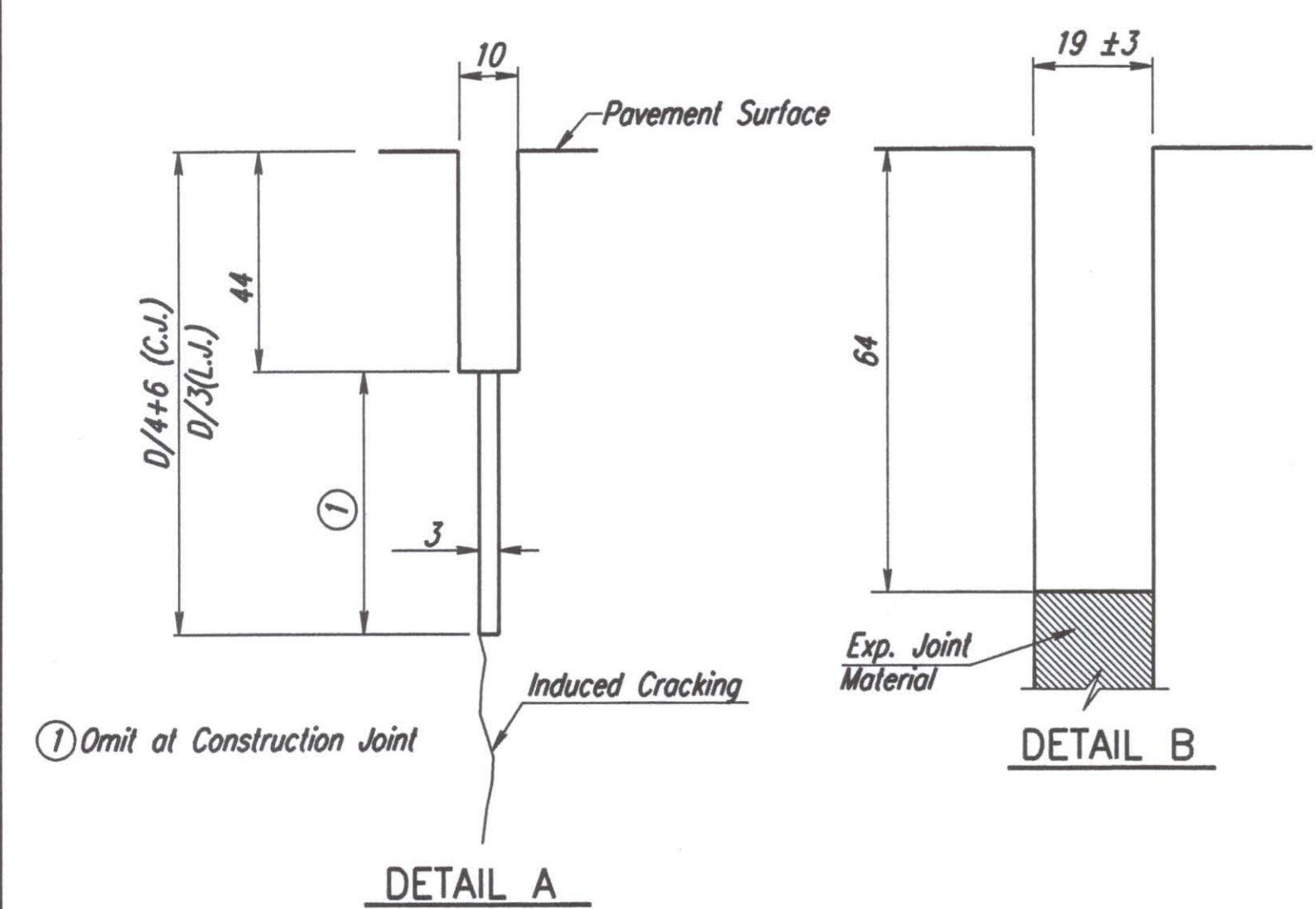
SECTION B-B



WING REINFORCING DETAIL

Note: Omit wire fabric reinforcing in this section.

CONCRETE VALLEY GUTTER DETAILS

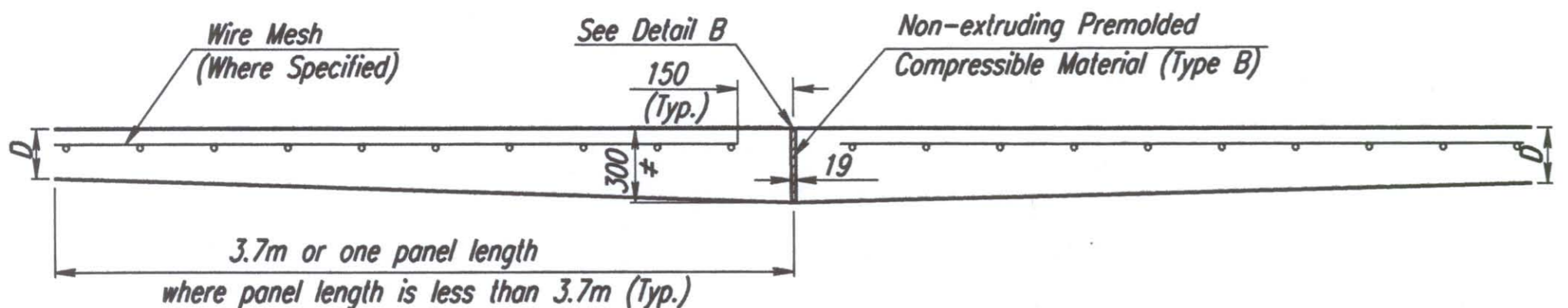


DETAIL A

DETAIL B

GENERAL NOTES
All deformed tie bars and dowel bars shall be epoxy coated. Deformed tie bars which require bending shall be billet steel reinforcing bars, Grade 300, and may be epoxy coated. Pavement designated as (Uniform)(AE) shall be reinforced with WWF 150x150-MW26 x MW26 and have doweled transverse joints except where noted on the intersection details. Pavement designated as (Uniform)(AE)(NRDJ) shall be non-reinforced and shall have doweled transverse joints. See Standard for Concrete Pavement (Non-Reinforced Dowel Jointed) Sheet No. 128.
All joints on this project shall be sawed and filled with sealant. See special provision for type of sealant.
Shape of all keyed joints shall be similar to section of recessed form leg as shown on Standard Sheet (NRDJ).
Longitudinal joints shall be tied unless otherwise noted on plan.
At each planned transverse joint location, a 100 to 150 mm wide strip of the pavement surface shall be protected from the texturing operation to provide a transverse textureless surface centered over the joint sawcut.
Contraction joints shall be spaced at 4.6 m ctrs. or as shown on the paving plans and intersection details.

DELETE



**EXPANSION JOINT DETAIL
(E.J.)**

* Additional thickness shall be subsidiary.
Expansion joint material shall extend through combined curb & gutter sections.

DSNR: WDH OPER: JGP SCALE: 1:50
I:/1997/97362/PAVING/DETAILS/JOINTDLS.DGN 10-30-2001 14:28:52 LAST REV: 1-7-2002 BY: svb

Revisions		By	Date
CITY OF WICHITA			
REINFORCED CONCRETE PAVEMENT INTERSECTIONS & SIDE ROADS			
SEDGWICK COUNTY			
Professional Engineering Consultants, P.A.			
303 S. TOPEKA • WICHITA, KANSAS 67202 316-262-2691 • FAX 316-262-3003			
Designed by	WDH	Checked by	WDH
Drawn by	JGP	Date	Apr 11, 2002
		Job No.	97362