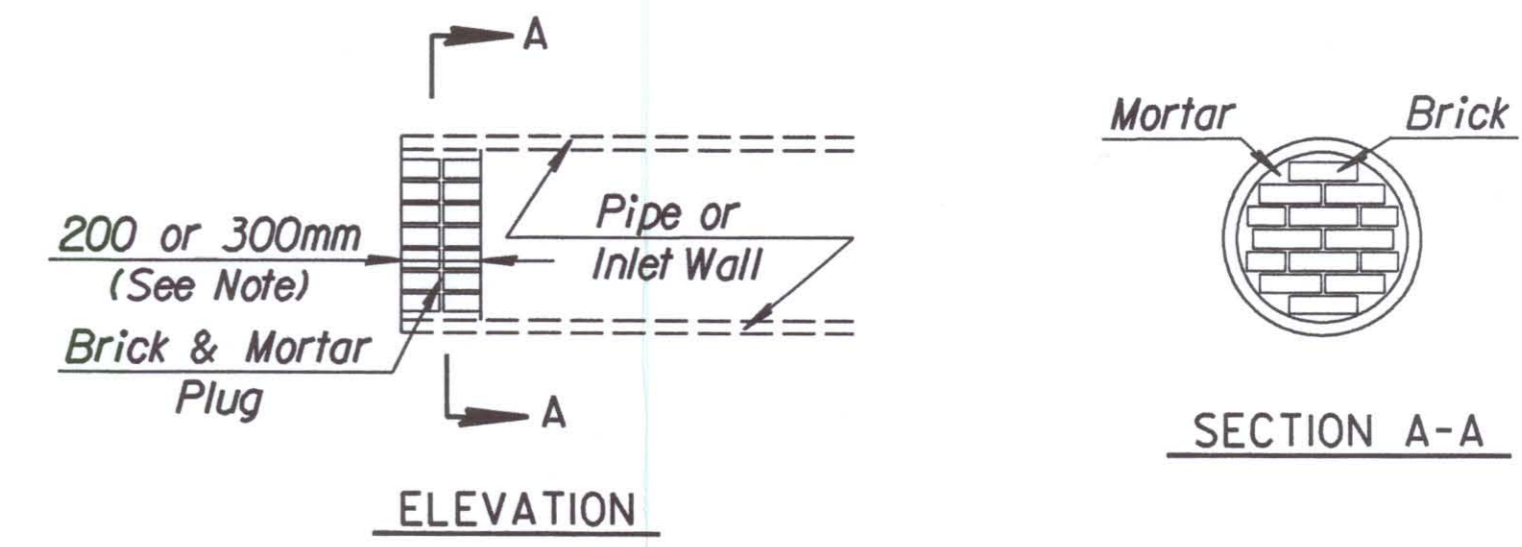
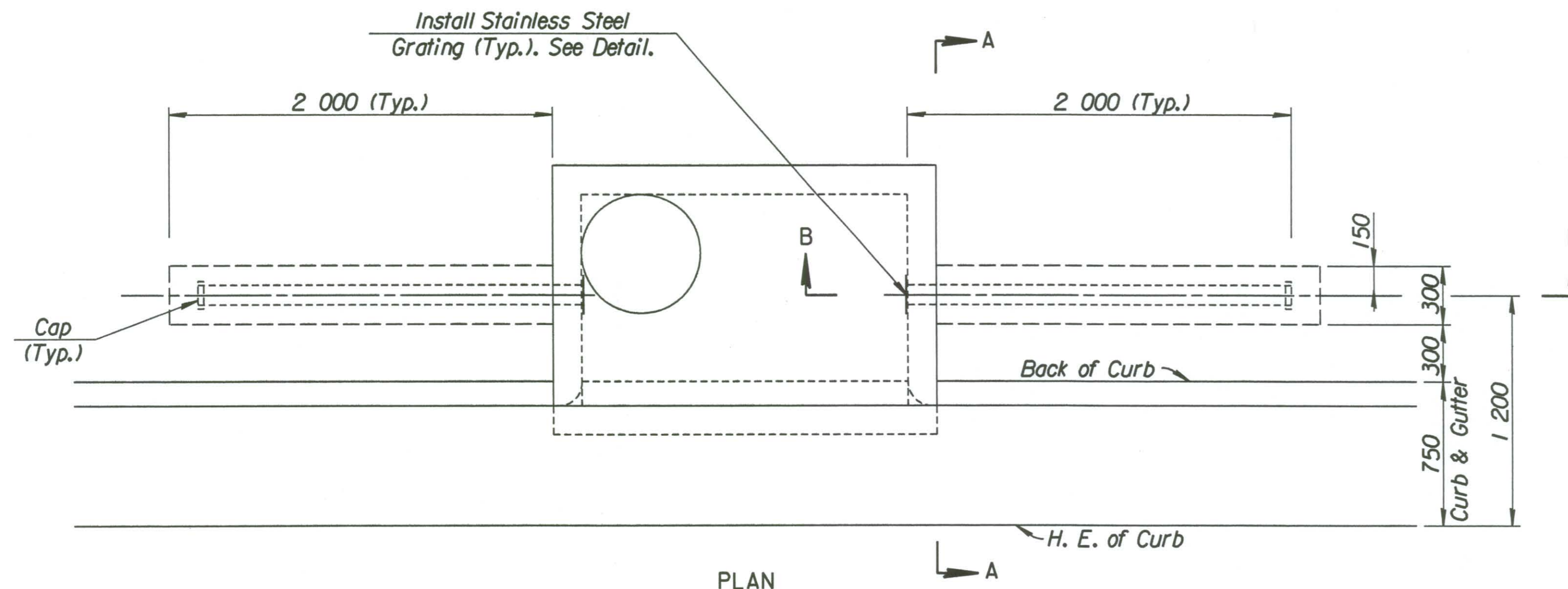
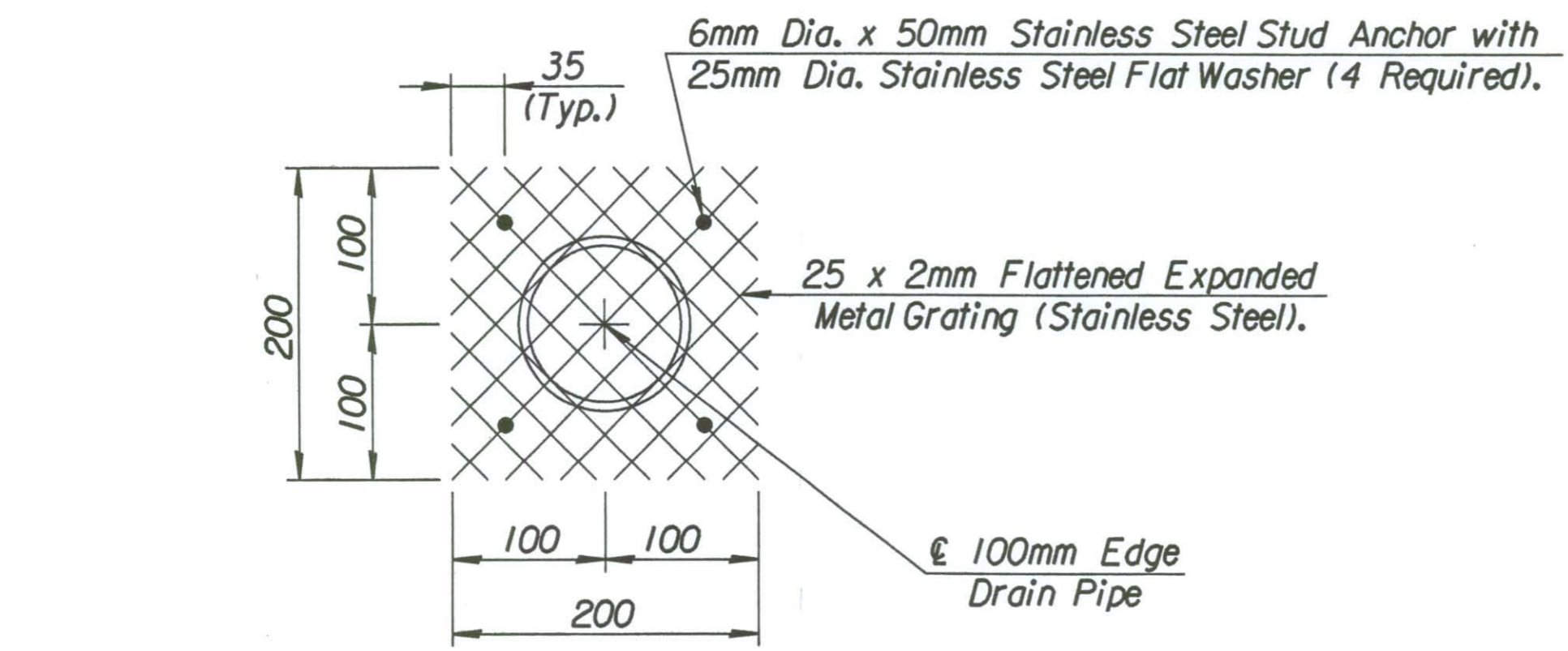
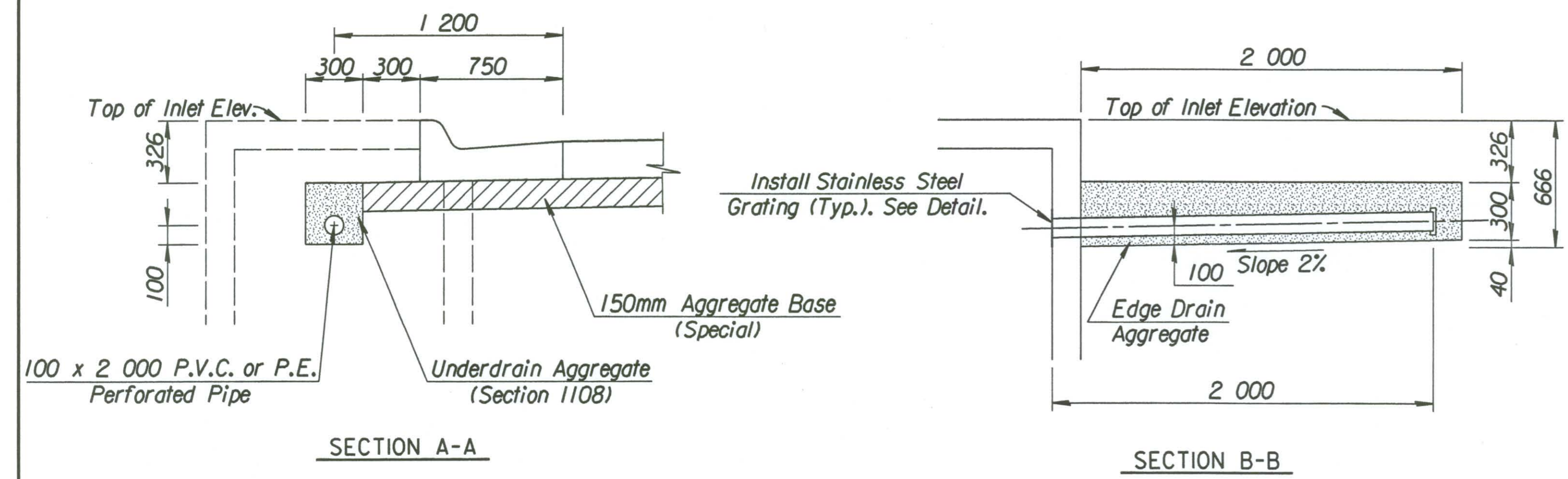


DATE	
BY	
REFERENCES NOTED	
REFERENCES CHECKED	



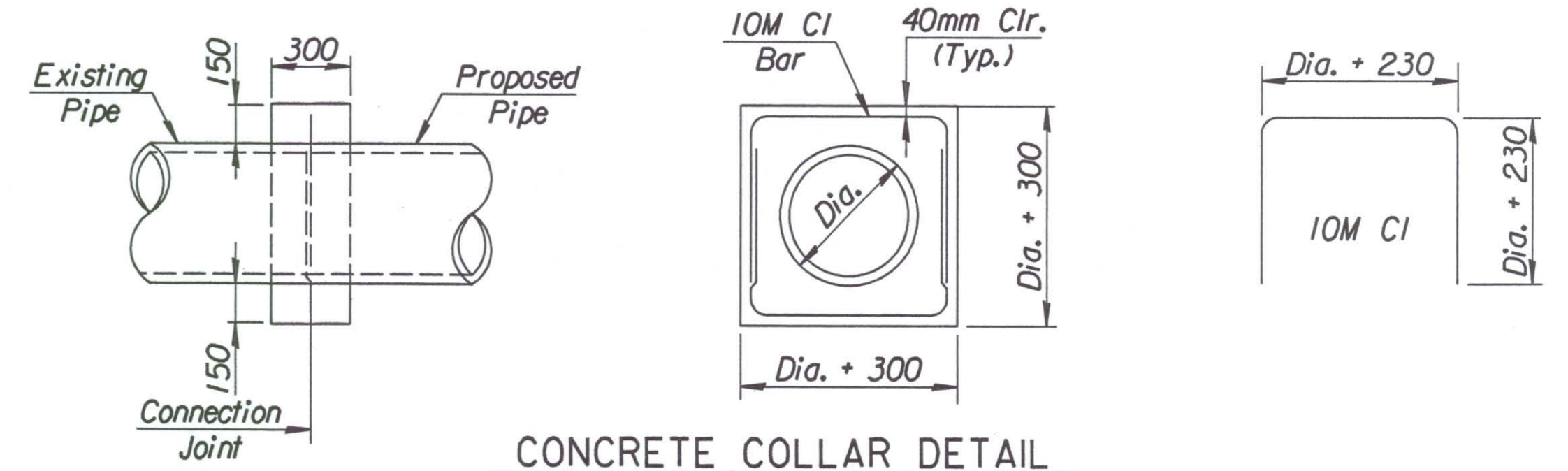
**PIPE PLUGGING DETAIL**

Pipe plugs shall be constructed of brick masonry, with construction requirements and materials conforming to Section 1300 of the KDOT Standard Specifications. Pipes having diameters of 450mm or smaller shall be plugged with a 200mm thick plug. Pipes having diameters larger than 450mm shall be plugged with a 300mm thick plug. The construction of pipe plugs shall not be paid for directly, but shall be considered Subsidiary to the various pipes or inlets involved.



**EDGE DRAIN DETAILS AT CURB INLET LOCATIONS ON FRONTAGE & SIDEROADS**

Edge drains shall be located on the upstream side of curb inlets on grade and on both sides of curb inlets in sump conditions. Paid for as "100mm Edge Drain Pipe".



Concrete collars shall be provided at connection to existing conduits where, in the opinion of the Engineer, a collar is required for a satisfactory connection. Class A Concrete or the mix used in concrete pavement shall be used throughout. See bending diagram and views above for reinforcing steel. Concrete collars will not be paid for directly, but shall be considered Subsidiary to the various pipes involved.

DSNR: WDH OPER: JGP SCALE: 1:1997/97362/SWS/DETAILS/MISDRNG.DGN 12-17-2001 7:06:32 LAST REV: BY:

No.	Revisions	By	Date
CITY OF WICHITA			
<b>MISCELLANEOUS STORM SEWER DETAILS</b>			
SEDGWICK COUNTY			
<b>PROFESSIONAL ENGINEERING CONSULTANTS, P.A.</b>			
ENGINEERS WICHITA, KANSAS			
Designed by	WDH	Checked by	WDH
Drawn by	JGP	Date	April, 2002 Job No. 97362