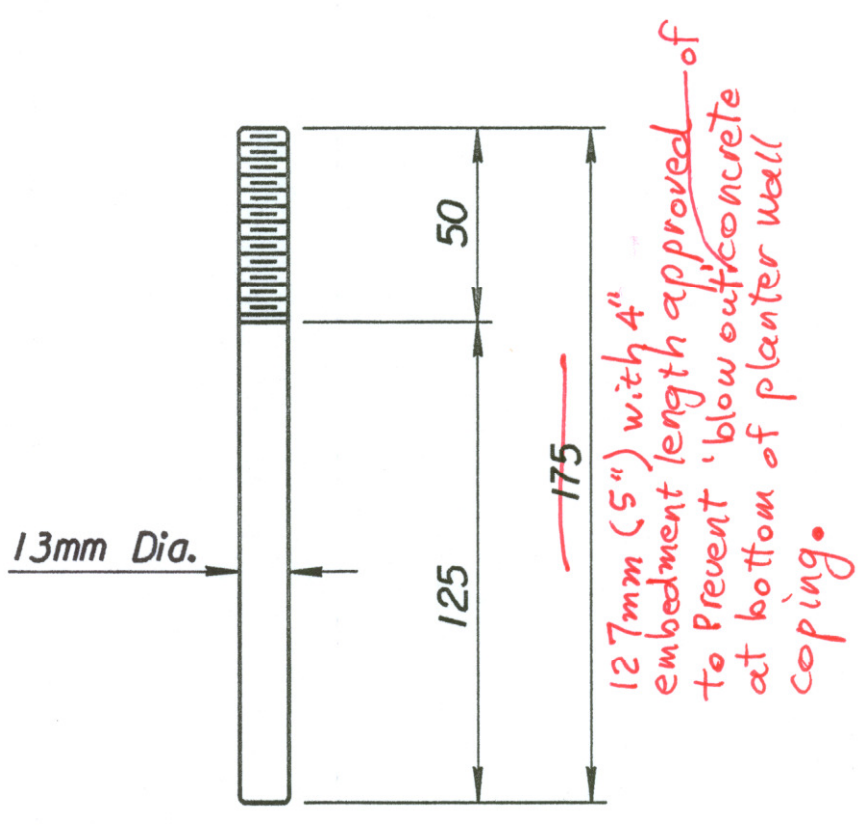
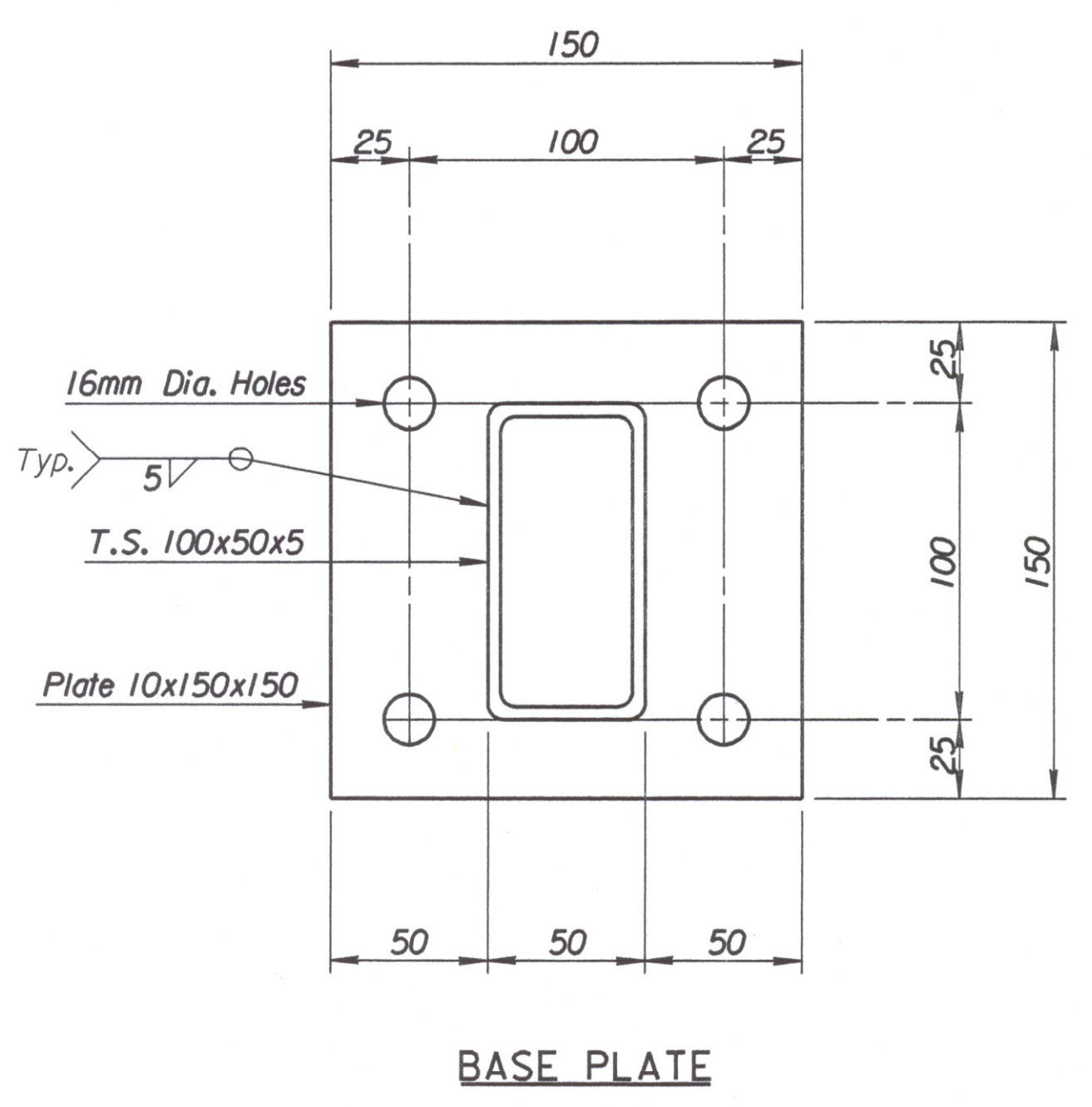
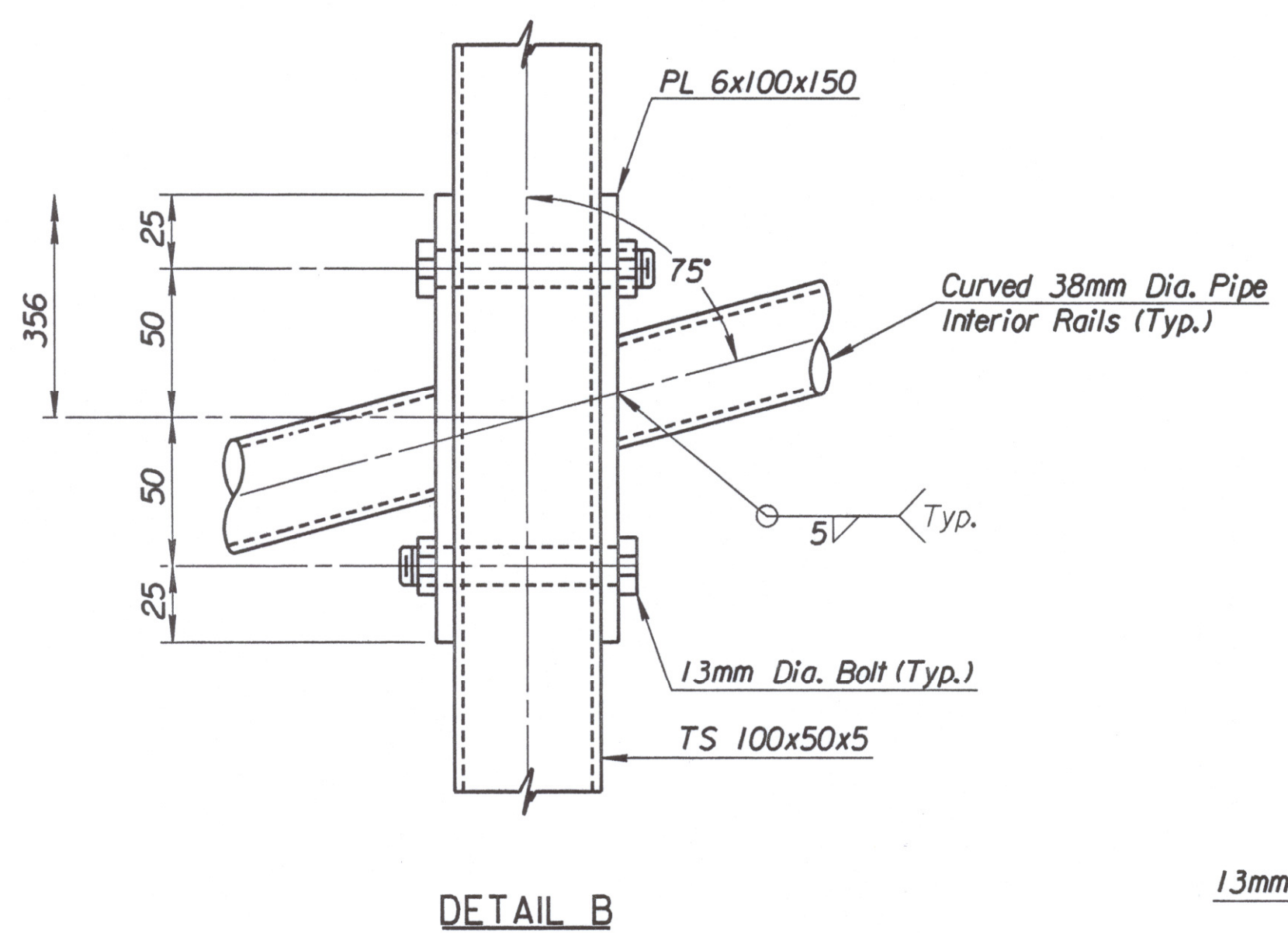
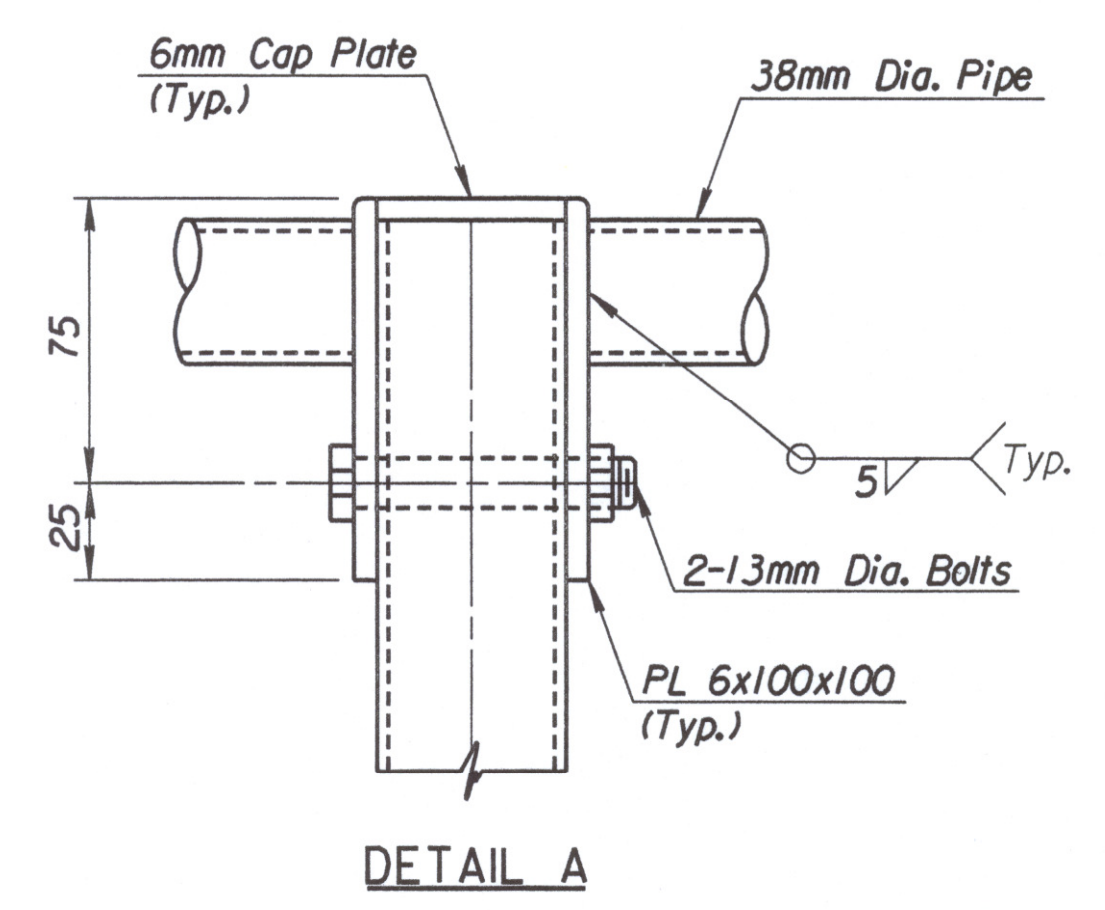
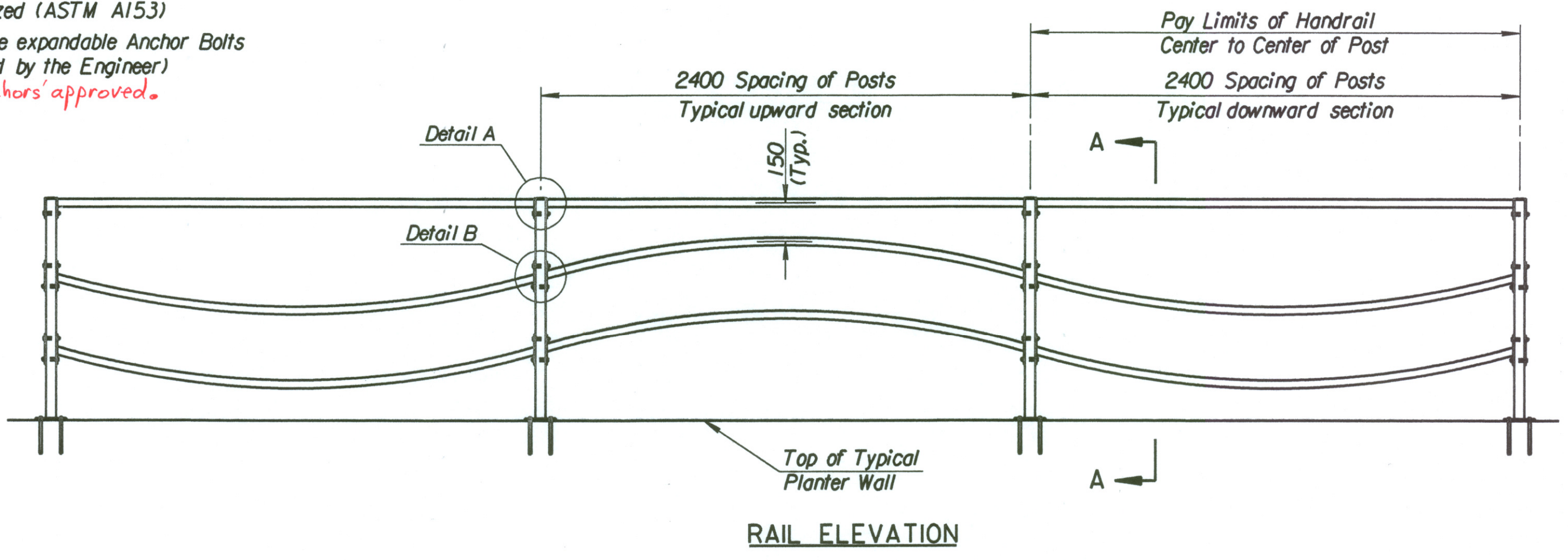
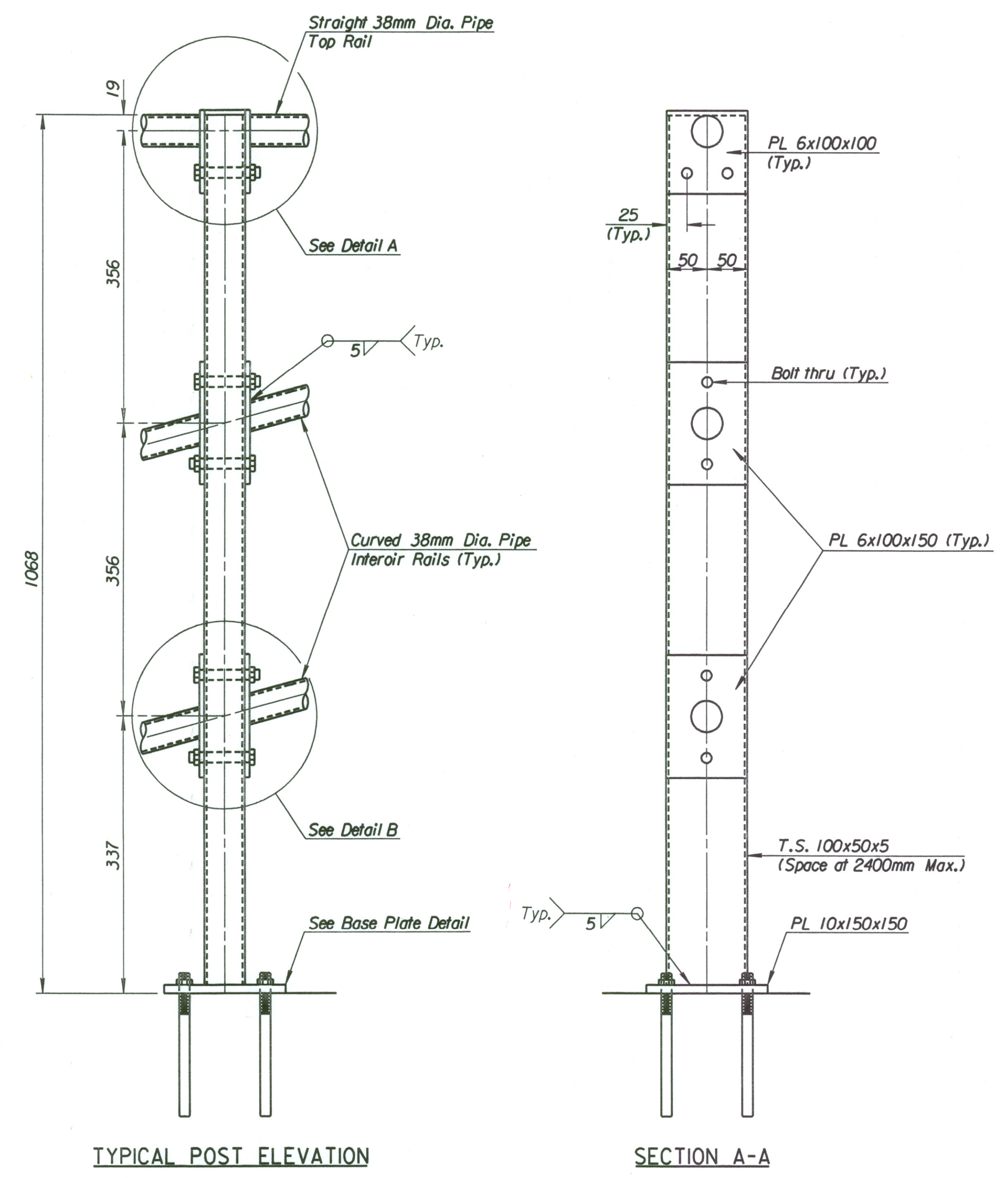


STATE	PROJECT NO.	YEAR	SHEET NO.	TOTAL SHEETS
KANSAS	54-87 K-6657-01	2002	251	1122



ANCHOR BOLT
Galvanized (ASTM A153)
(May substitute expandable Anchor Bolts when approved by the Engineer)
Hititi 'drop anchors' approved.



GENERAL NOTES

The horizontal members of the rail shall be 38mm dia. standard weight pipe. Vertical members of the rail shall be hollow structural tubing. All structural steel and tubing shall comply to A.S.T.M. designation A709M or A500 Grade B respectively.

Rail shall be fabricated in lengths as shown.

Posts and bars shall be set vertical.

See Special Provisions for painting of Handrail.

Material and construction shall conform to the structural welding code A.W.S. D1.1-00.

Shop details must be submitted and approved by the Engineer.

NOTE:
See Submittal # 76.A for 'Approved' Shop Drawings..

DSNR: RWA OPER: DRP SCALE: 1:20
4/1997/97362/001/BRIDGE/LANDSCAPE/RAIL.DGN 3-13-2002 10:17:59 LAST REV: 4-11-2002 BY: drp

No.	Revisions	By	Date
CITY OF WICHITA			
PLANTER WALL RAIL			
SEDGWICK COUNTY			
Professional Engineering Consultants, P.A. 303 S. TOPEKA • WICHITA, KANSAS 67202 316-262-2691 • FAX 316-262-3003			
Designed by	RWA	Checked by	RAS
Drawn by	DRP	Date	Apr 11, 2002
		Job No.	97362