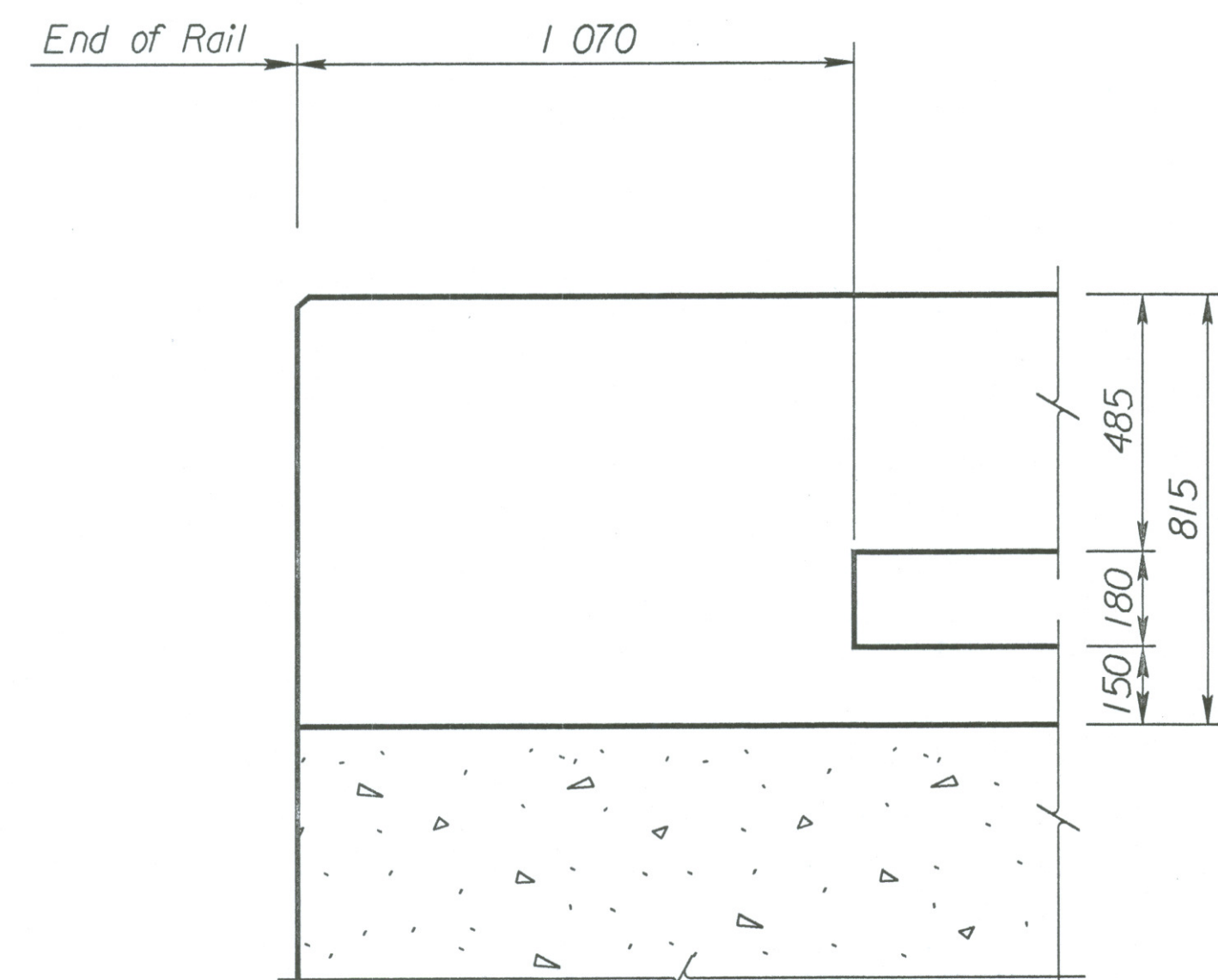
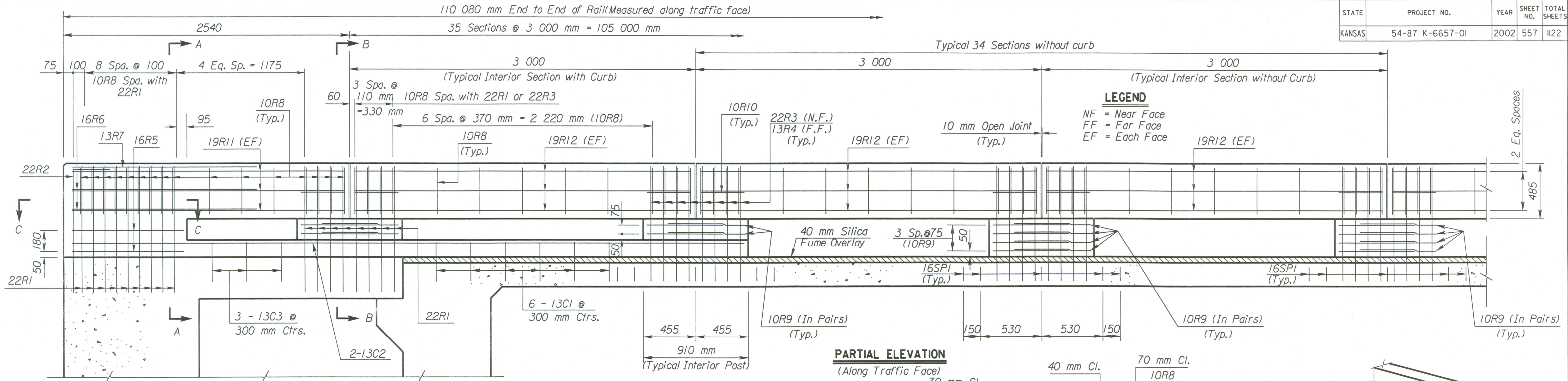
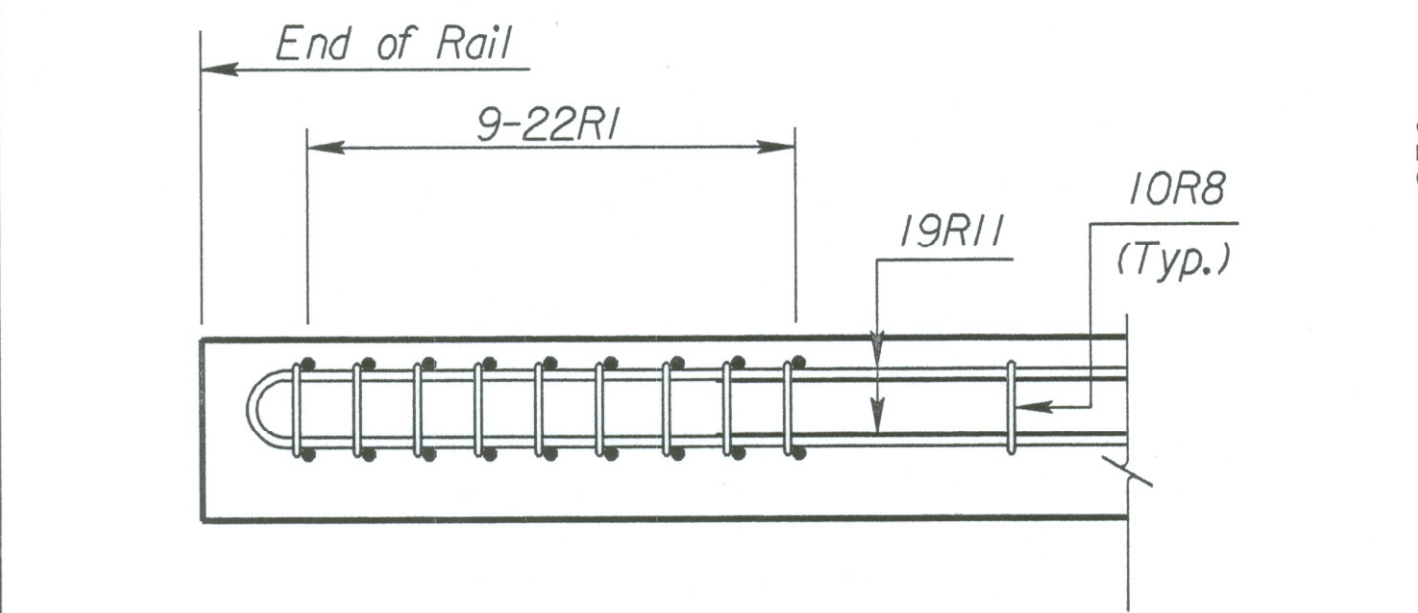


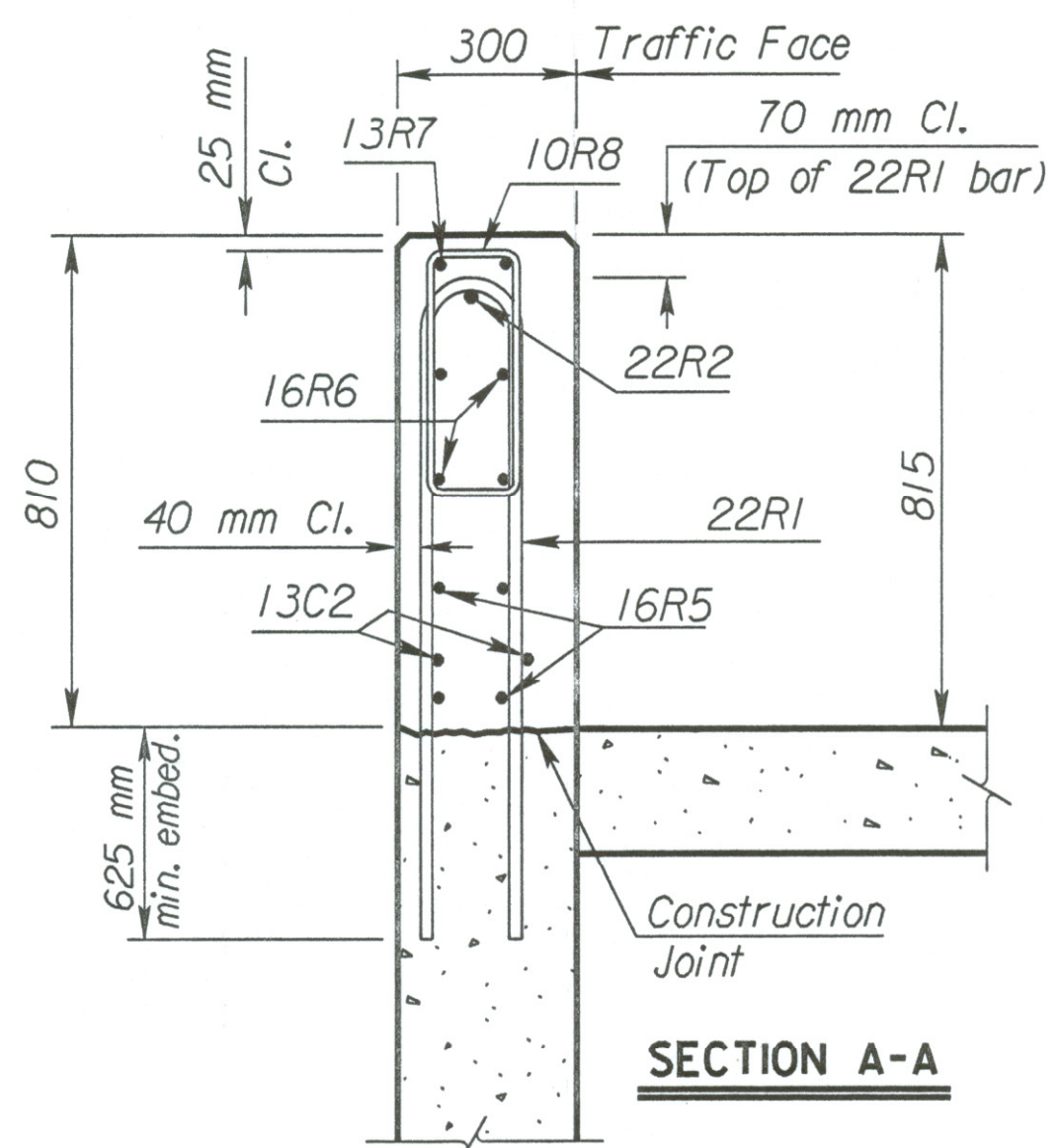
STATE	PROJECT NO.	YEAR	SHEET NO.	TOTAL SHEETS
KANSAS	54-87 K-6657-01	2002	557	1122



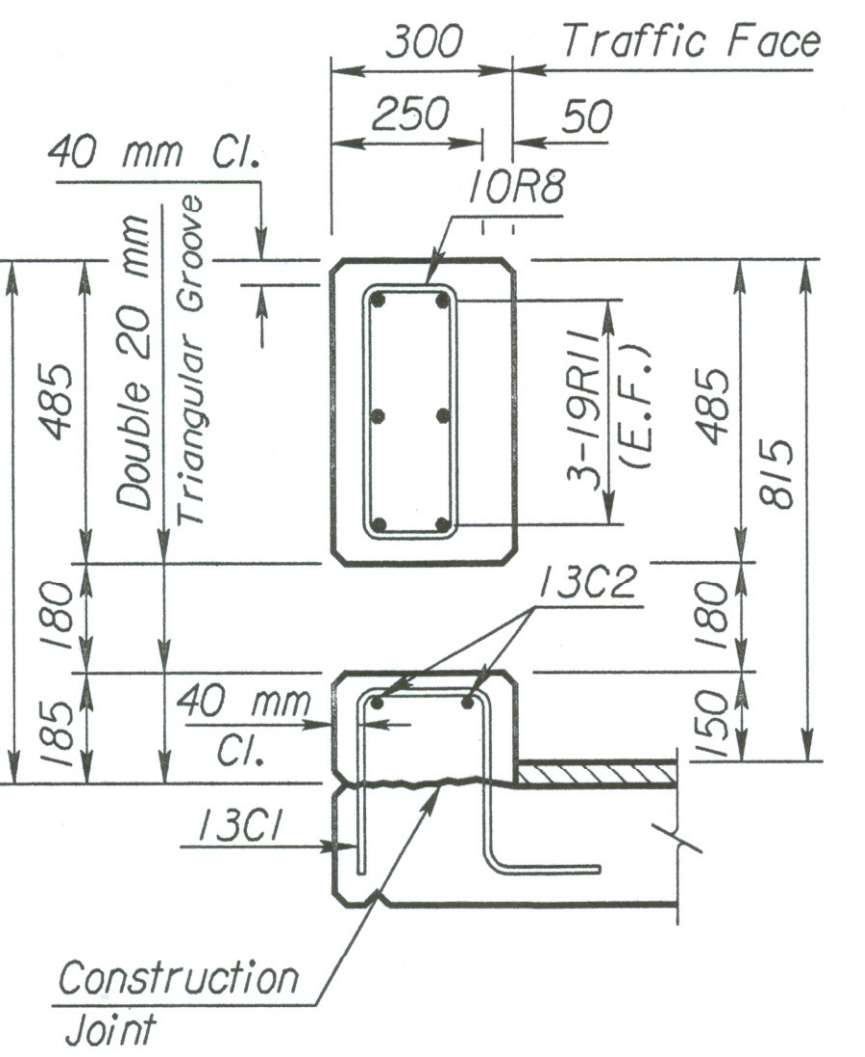
**ELEVATION**  
(Dimensions at traffic face of rail)



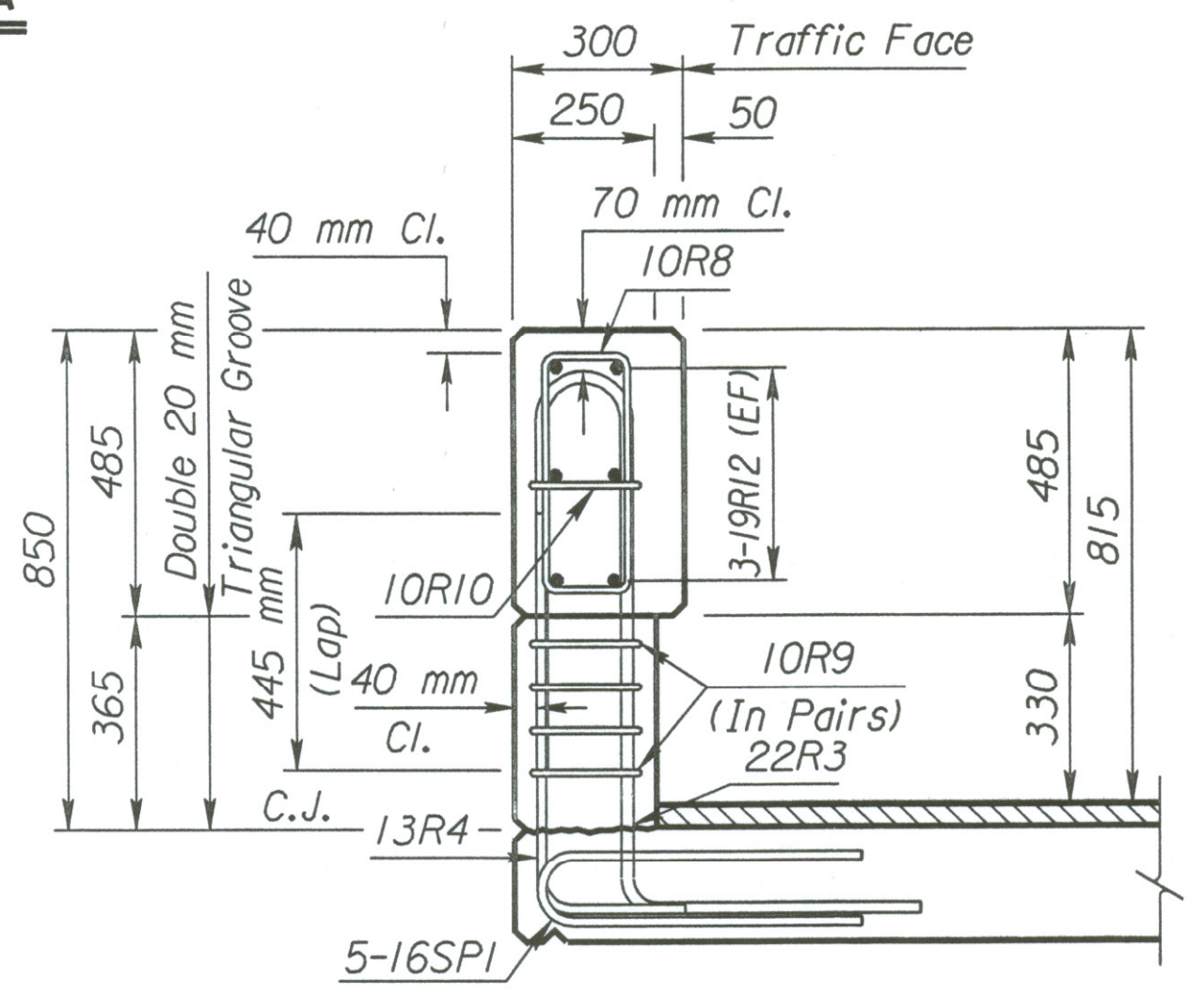
**SECTION C-C**



**SECTION A-A**

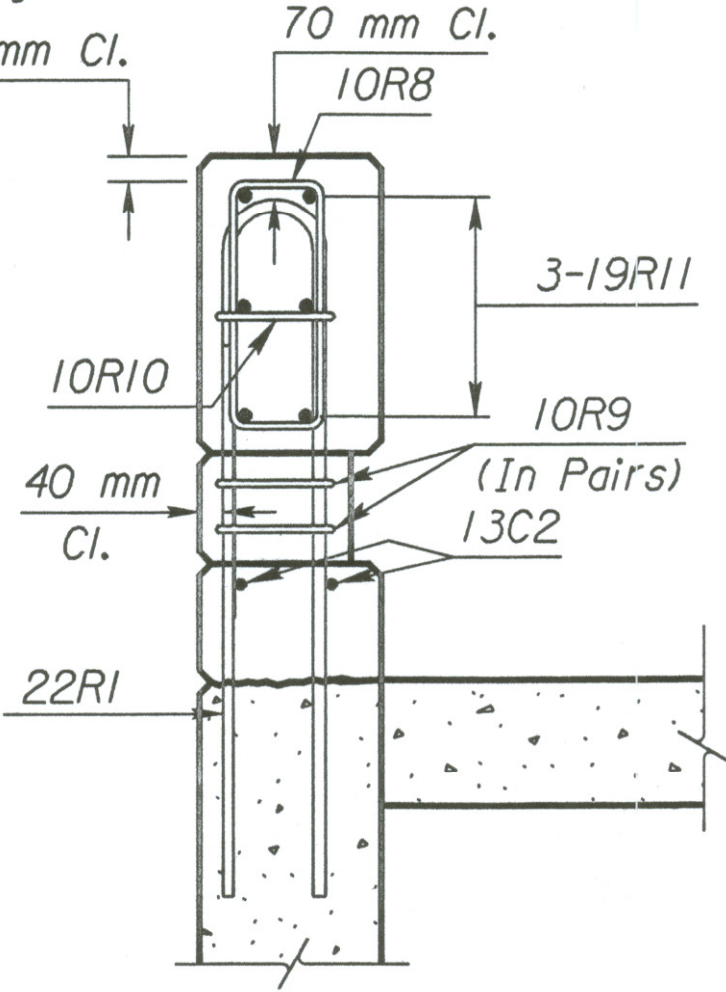


**TYPICAL SECTION BETWEEN POST**  
(With Curb)

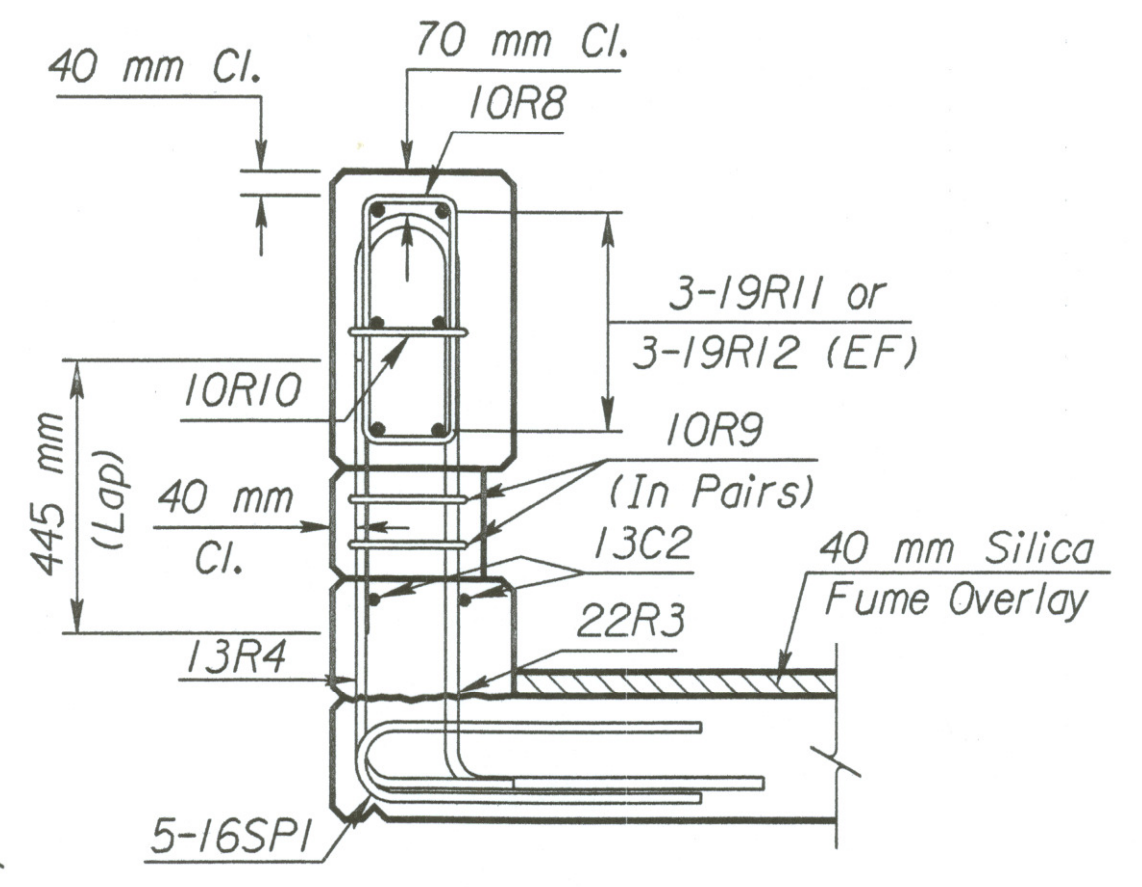


**SECTION THRU POST**  
(Without Curb)

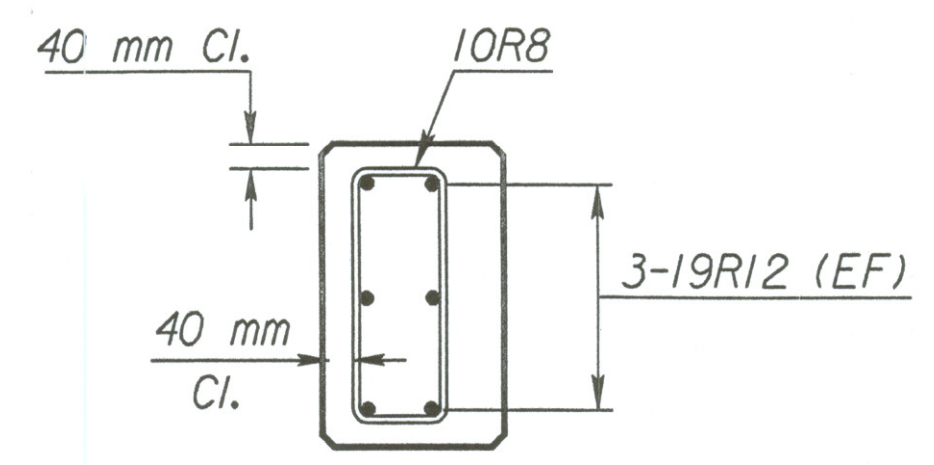
**PARTIAL ELEVATION**  
(Along Traffic Face)



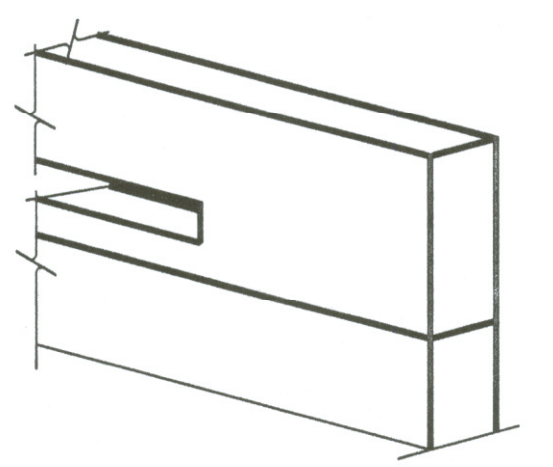
**SECTION B-B**



**SECTION THRU POST**  
(With Curb)



**TYPICAL SECTION BETWEEN POST**  
(Without Curb)



**RAIL END**

Std. Base File :  
 Server File : usr2\stand\si\brl\82bsi.dgn  
 Server : wltch  
 View: PLOT 1  
 Plotted By : svb  
 Plot File : i:\997\97362\001\bridge\cowskin\EASTBOUND\NorthRail  
 Plot Date : 3-27-2002

3				
2				
1	6-14-96	Current Release		
NO.	DATE	REVISIONS	BY	APP'D
CITY OF WICHITA				
Br. No. 54-87-19.29(492)F.E.B. Sta. 16+005.740				
815 mm KANSAS CORRAL RAIL				
EB Frontage Rd. North Rail				
Sedgwick Co.				
SHEET NO.	OF	SCALE	APP'D	
DESIGNED		DETAILED	QUANTITIES	CADD
DESIGN CK.		DETAIL CK.	QUAN. CK.	CADD CK.