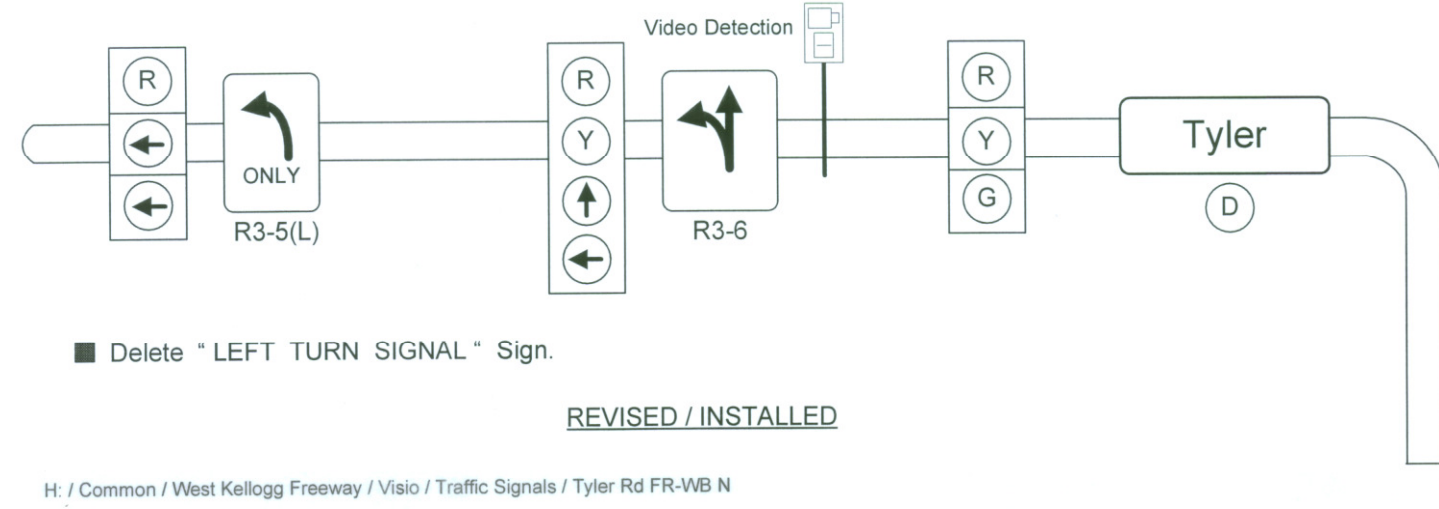
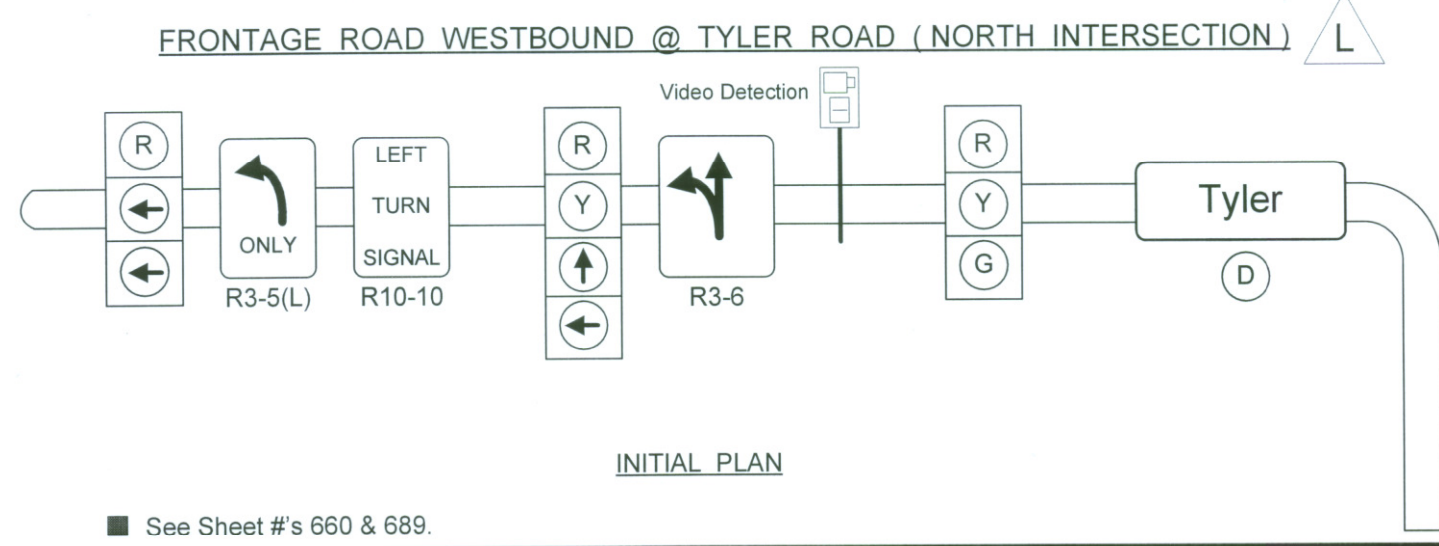
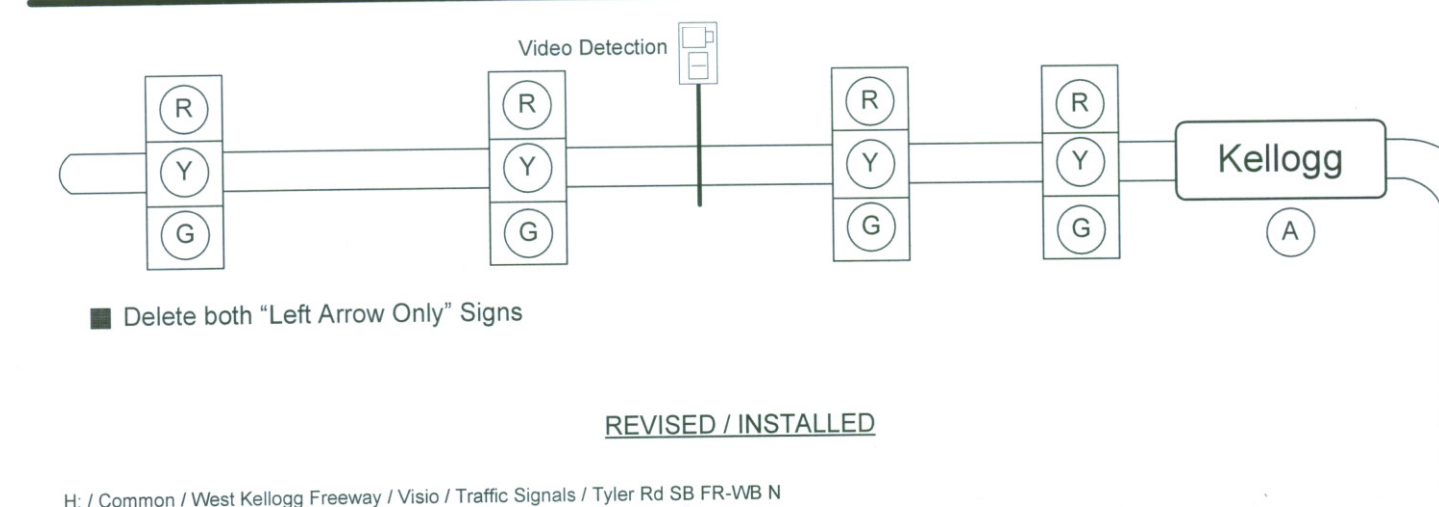
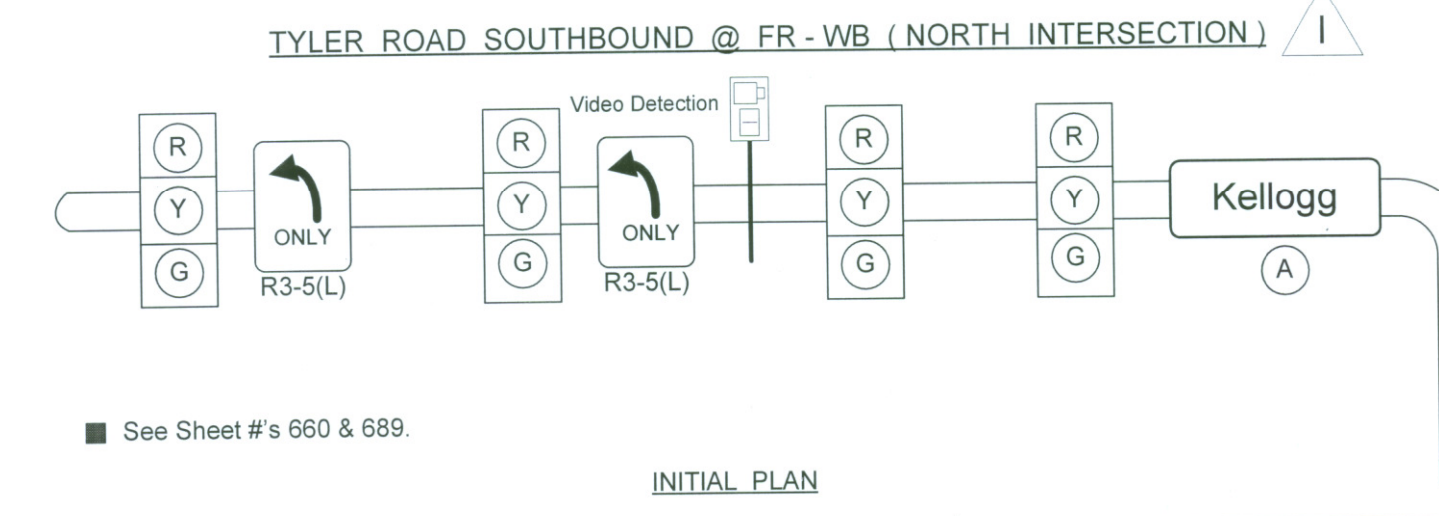


FHWA REGION NO.	STATE	PROJECT NO.	YEAR	SHEET NO.	TOTAL SHEETS
7	KANSAS	54 - 87 K - 6657 - 01	2002	660RA	1122

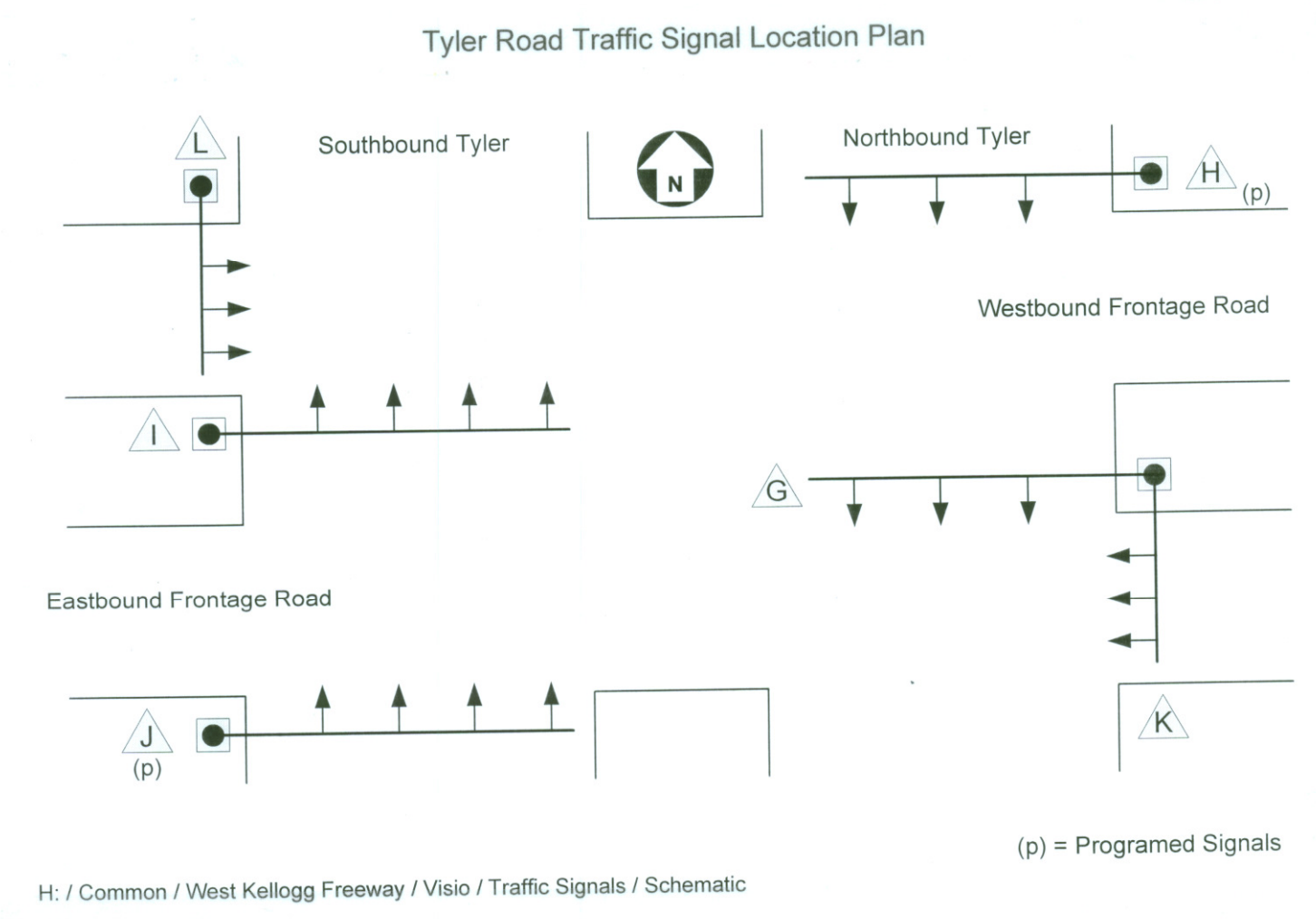
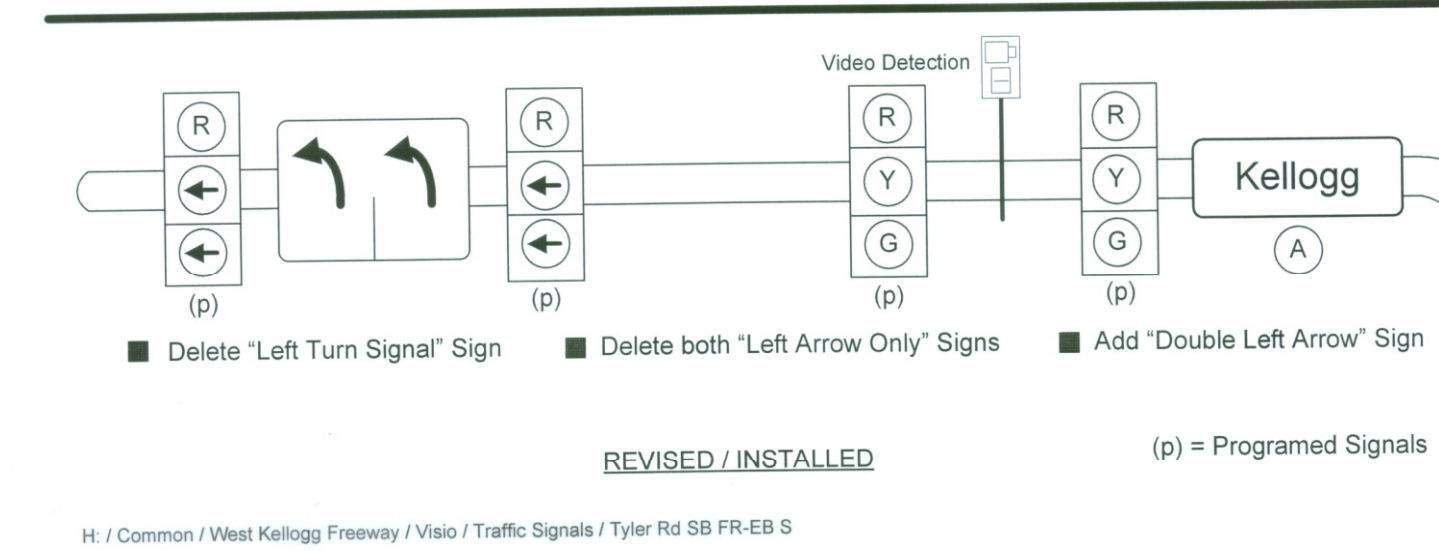
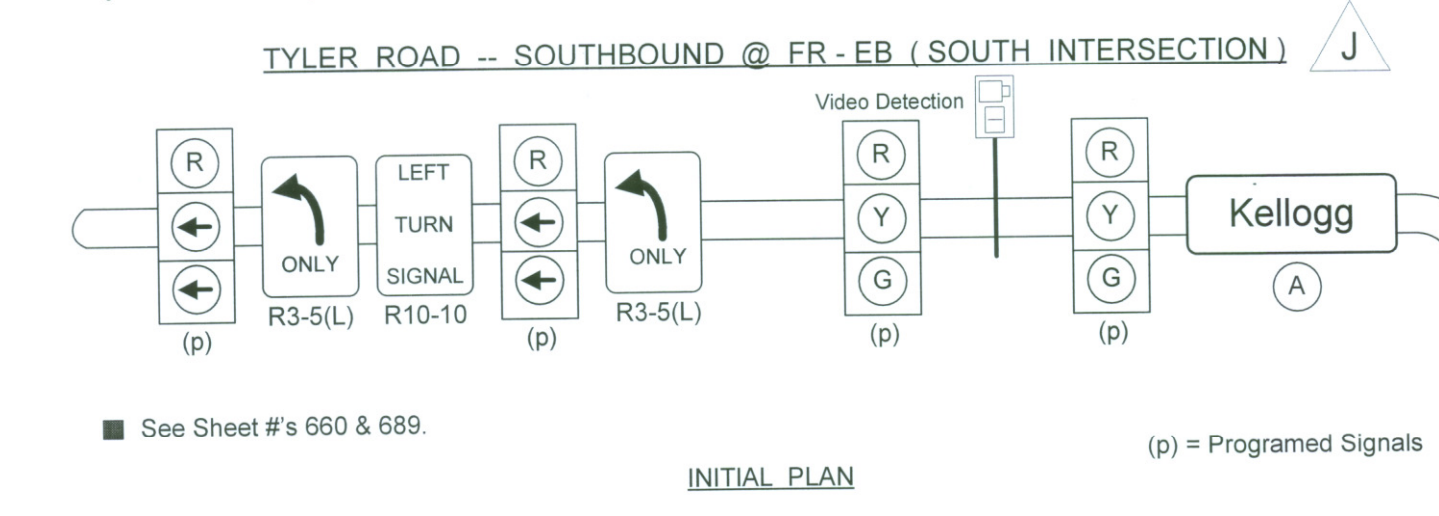
West Kellogg Freeway – Maize and Tyler Road Interchanges  
City of Wichita Project Number: 472 - 83533



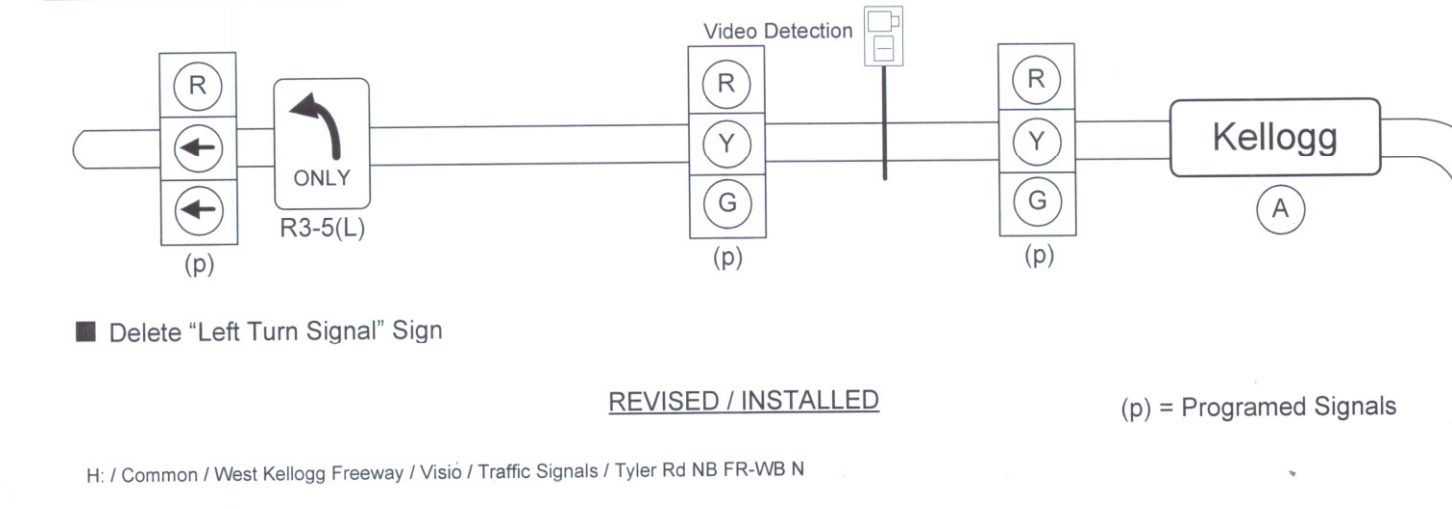
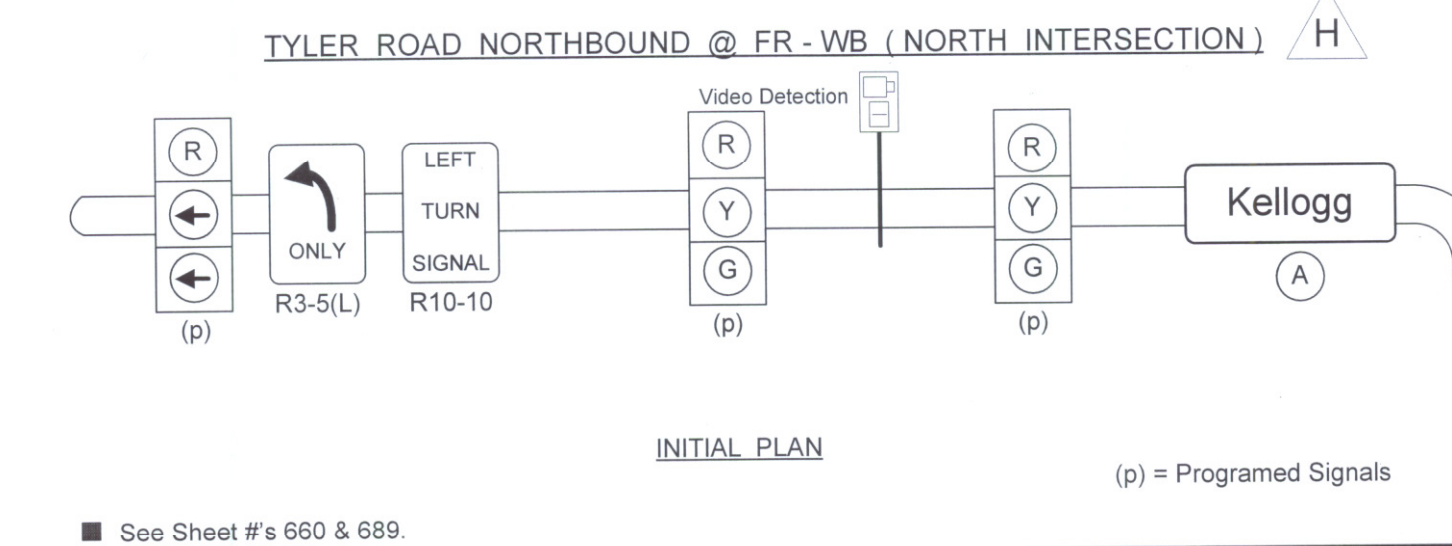
West Kellogg Freeway – Maize and Tyler Road Interchanges  
City of Wichita Project Number: 472 - 83533



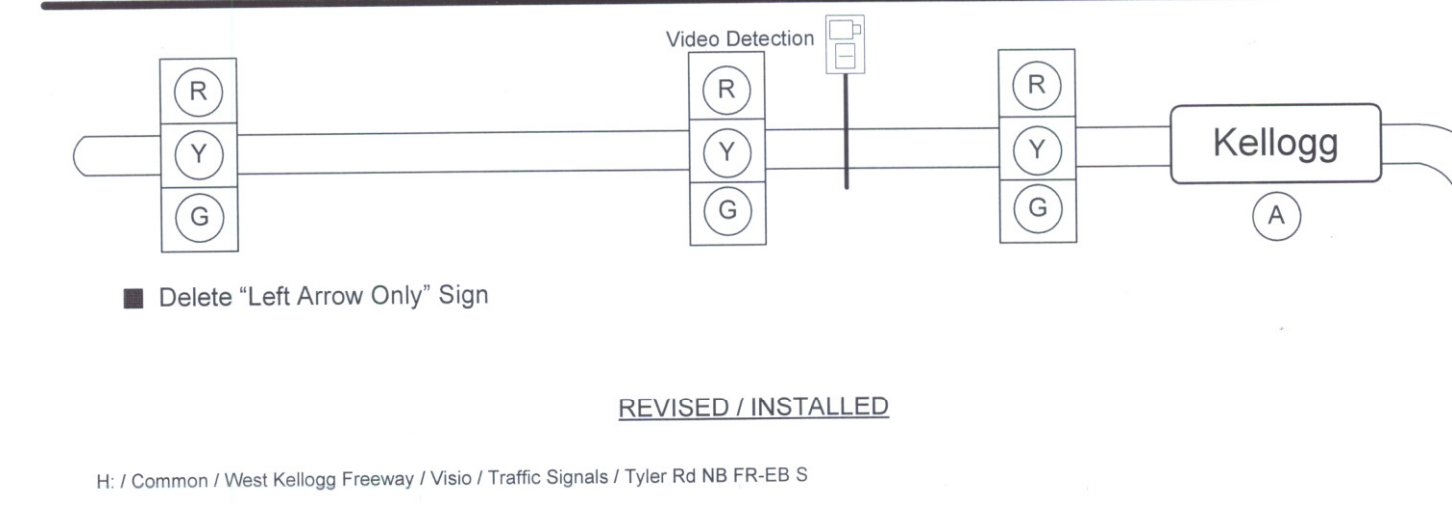
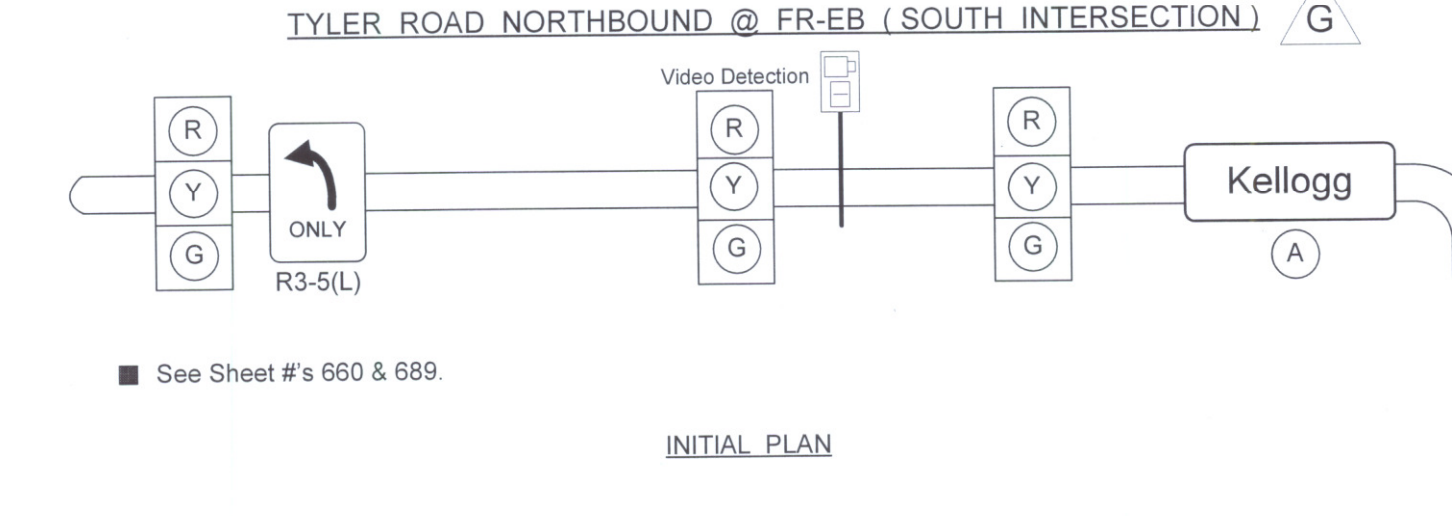
West Kellogg Freeway – Maize and Tyler Road Interchanges  
City of Wichita Project Number: 472 - 83533



West Kellogg Freeway – Maize and Tyler Road Interchanges  
City of Wichita Project Number: 472 - 83533



West Kellogg Freeway – Maize and Tyler Road Interchanges  
City of Wichita Project Number: 472 - 83533



West Kellogg Freeway – Maize and Tyler Road Interchanges  
City of Wichita Project Number: 472 - 83533

