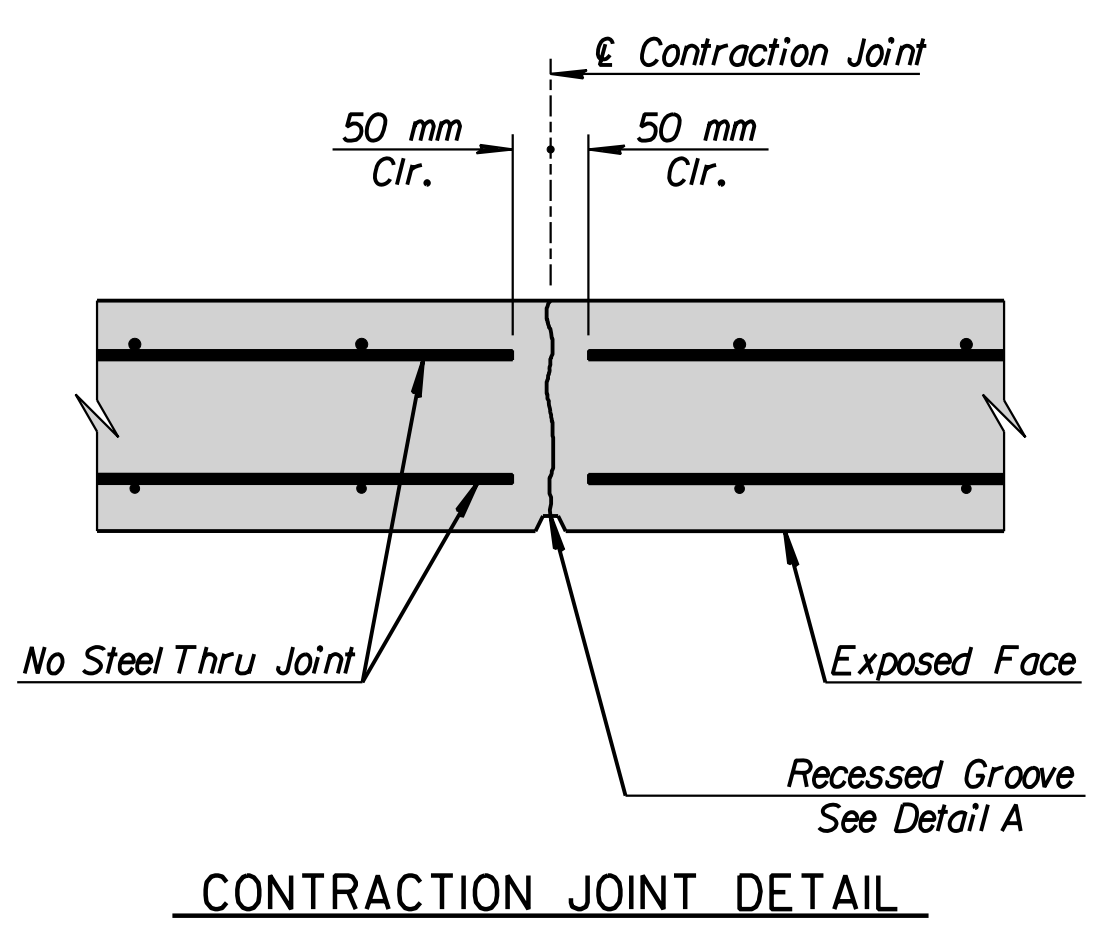
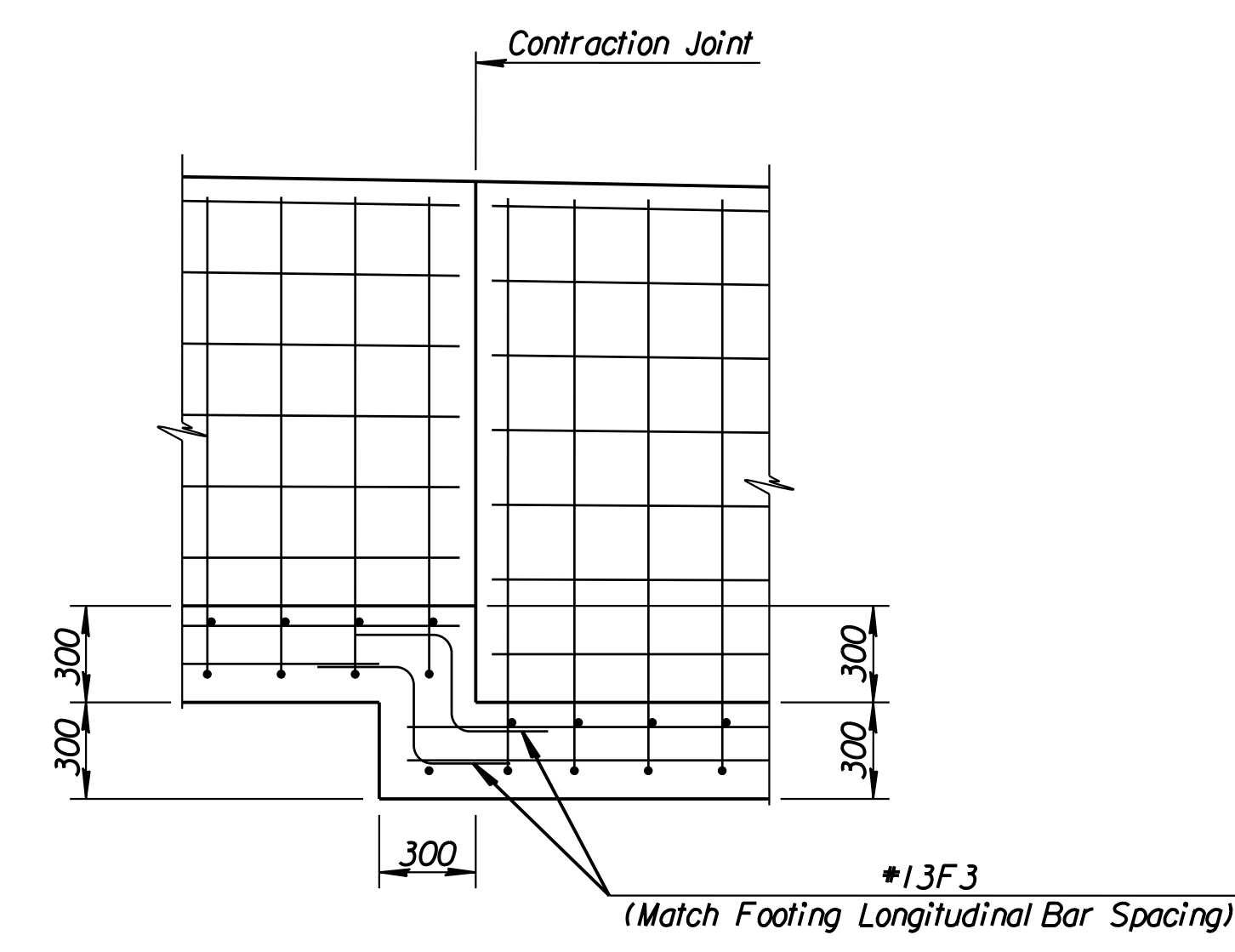


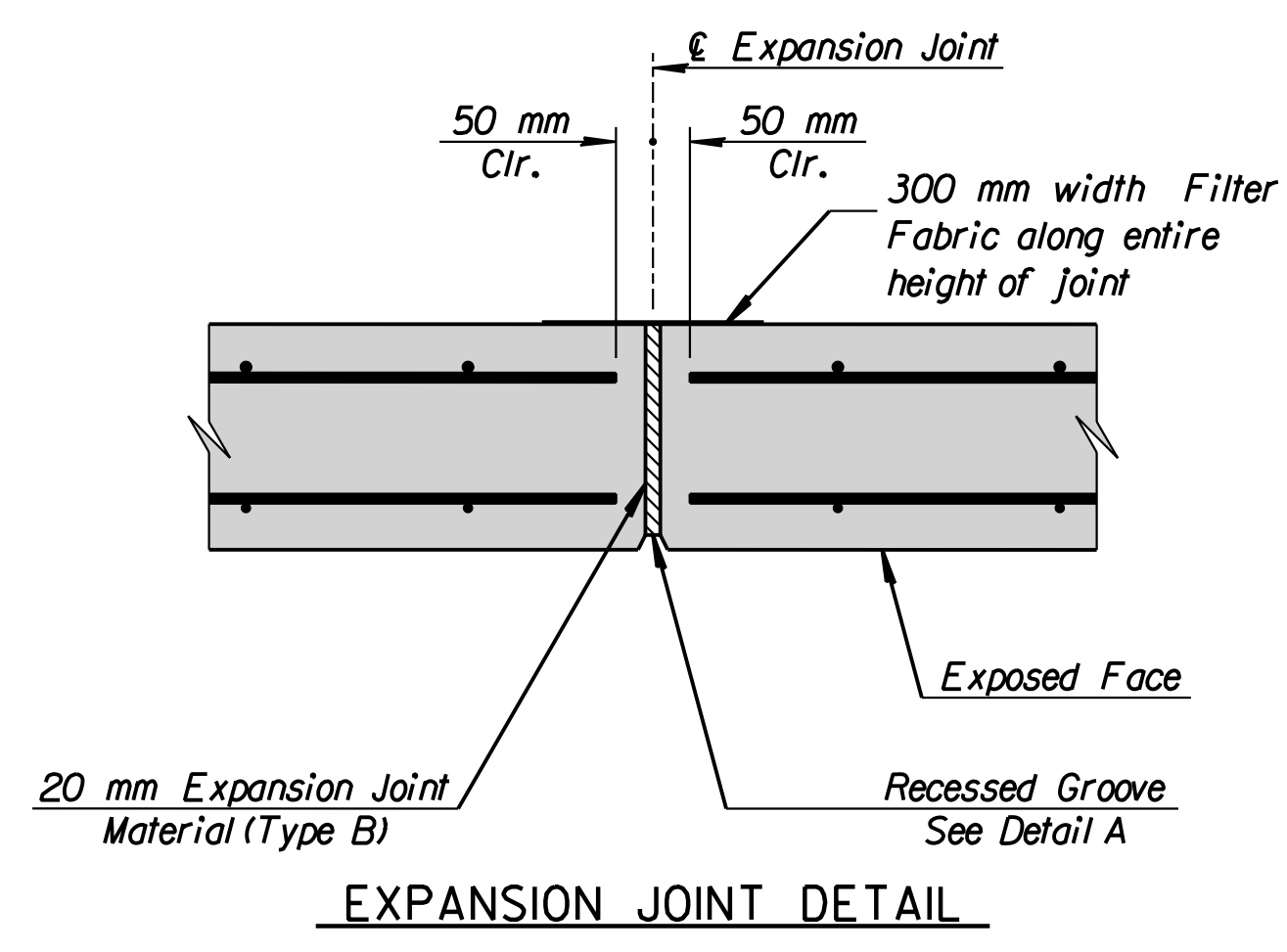
STATE	PROJECT NO.	YEAR	SHEET NO.	TOTAL SHEETS
KANSAS	54-87 K-6657-01	2002	369	1122



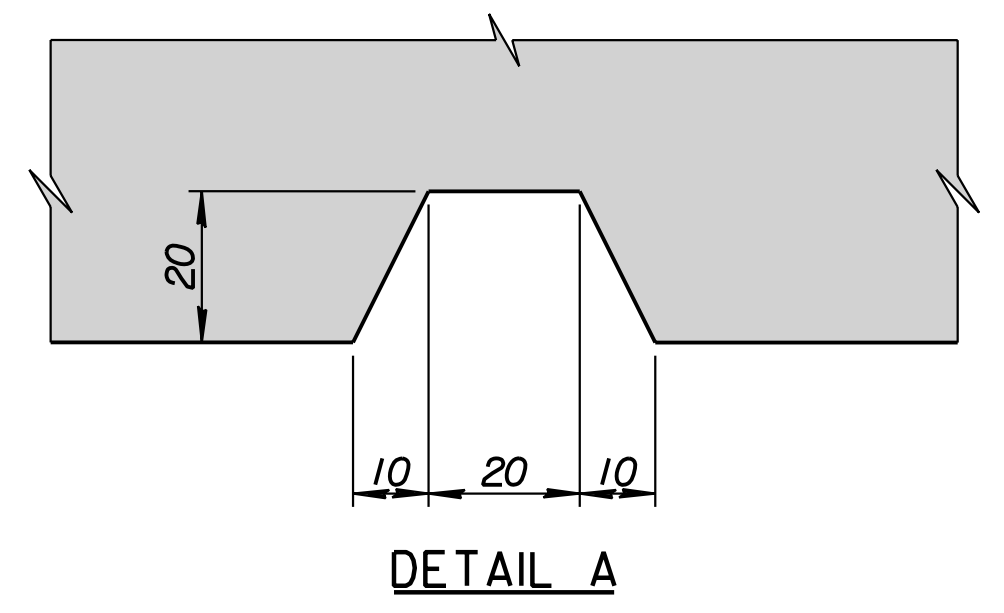
CONTRACTION JOINT DETAIL



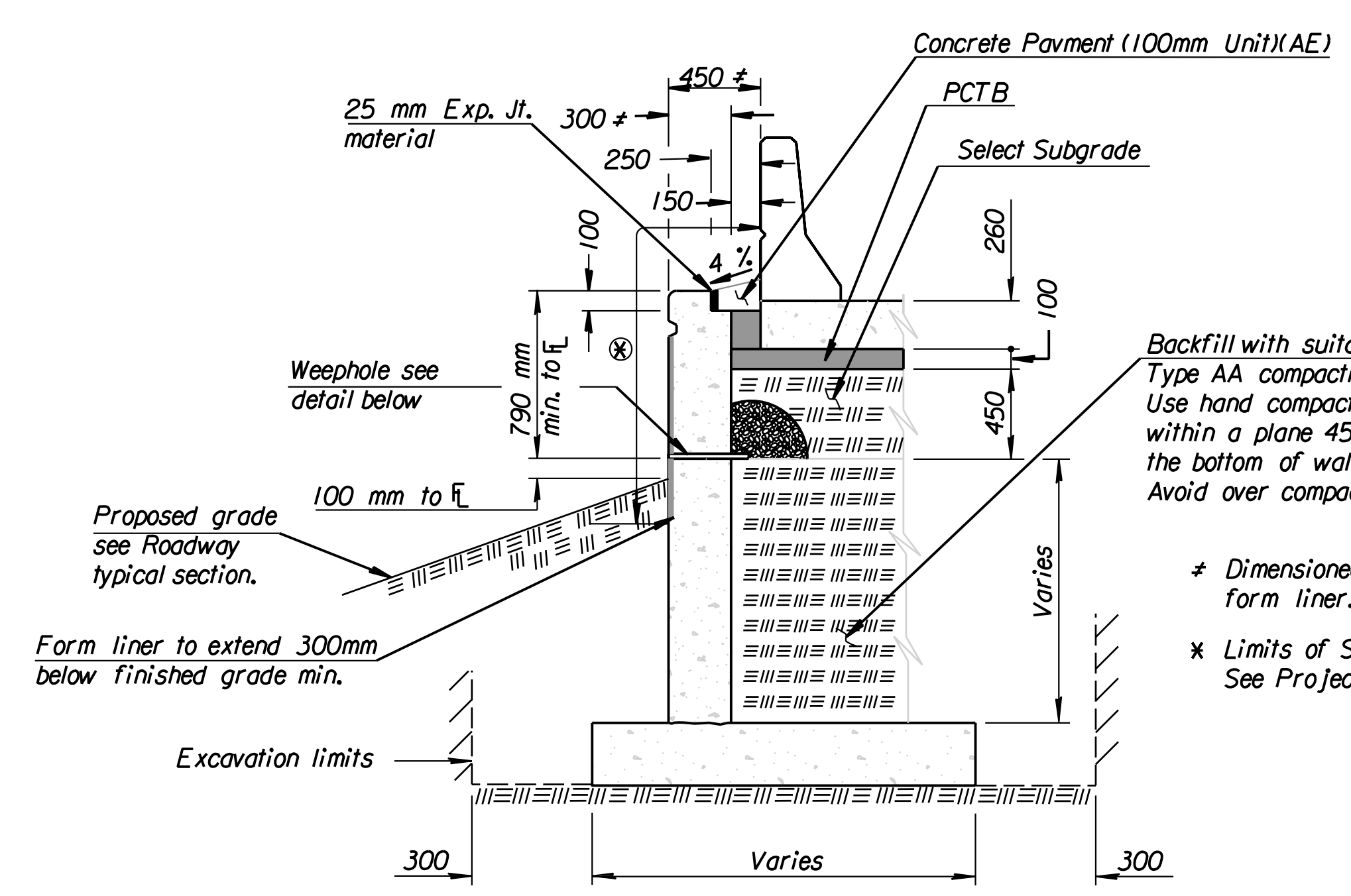
FOOTING STEP ELEVATION



EXPANSION JOINT DETAIL



DETAIL A



SECTION THRU RETAINING WALL

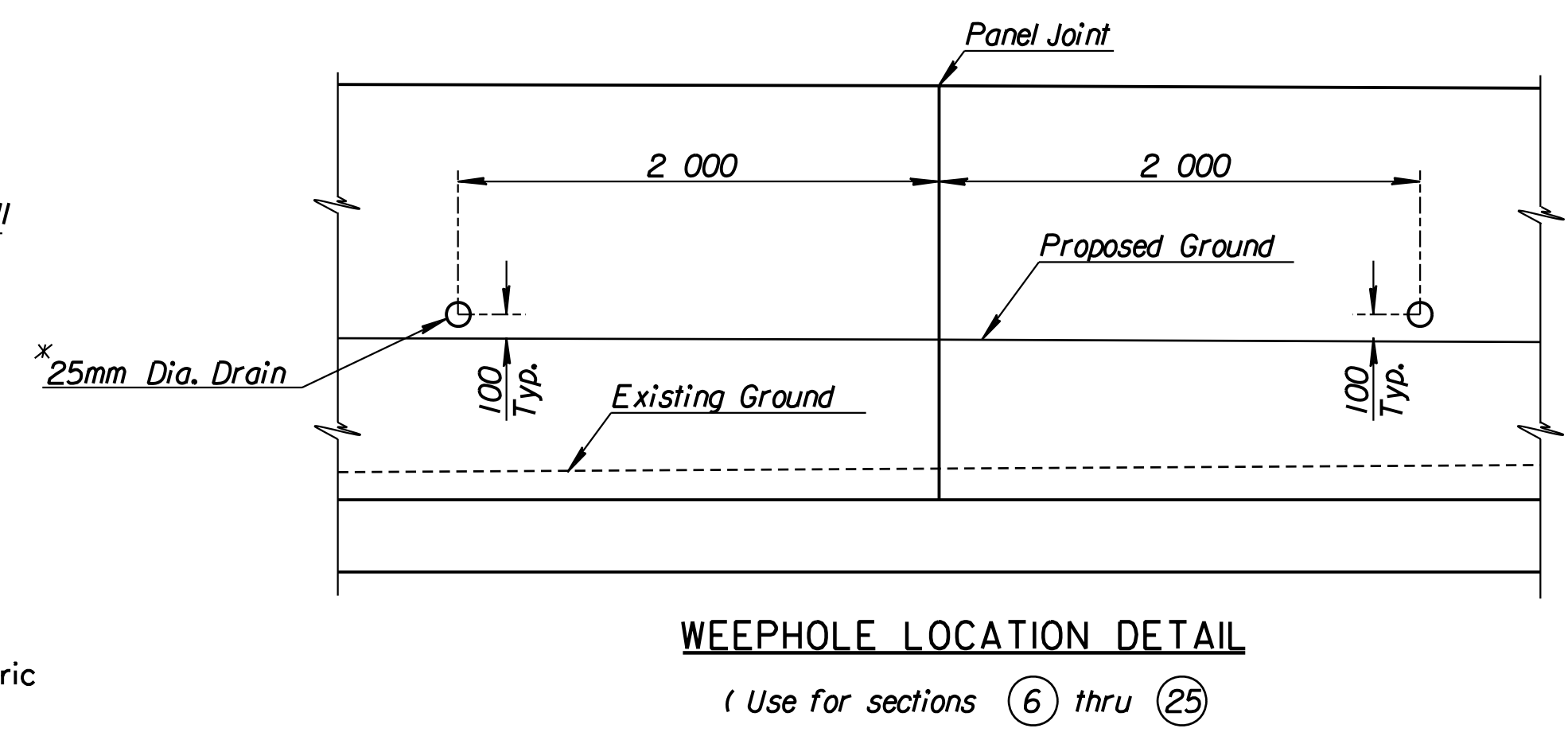
Backfill with suitable material to Type AA compaction. Use hand compaction equipment only within a plane 45° from horizontal from the bottom of wall. Avoid over compaction.

* Dimensioned to outside face of form liner.

* Limits of Surface Coating Finish. See Project Special Provisions.

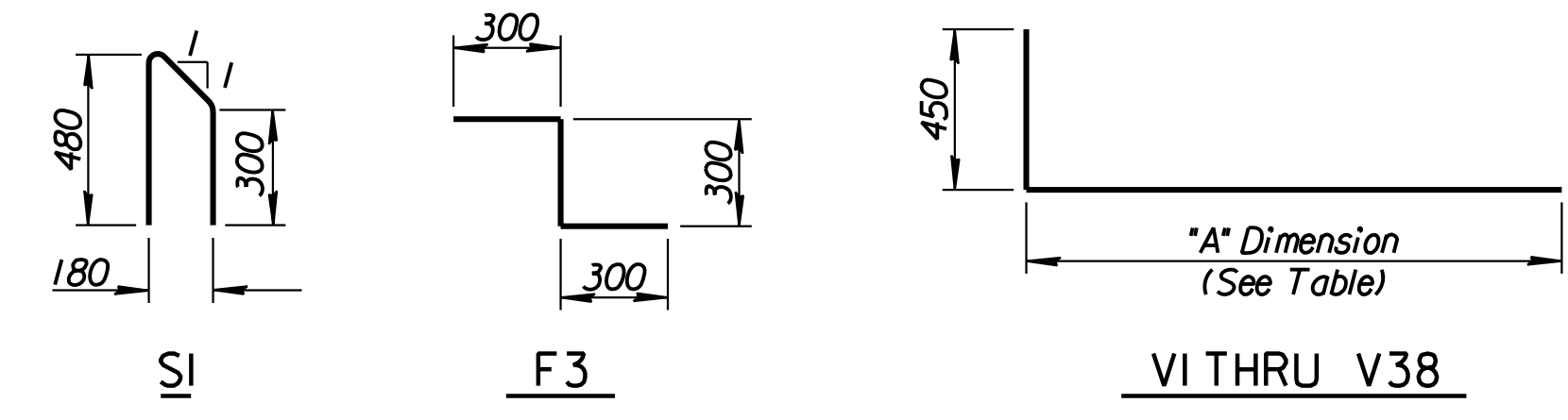
***16V WALL VERTICAL REINFORCING "A" DIMENSION**

*16V1	1 230	*16V20	1 850
*16V2	1 510	*16V21	1 870
*16V3	1 750	*16V22	1 890
*16V4	1 710	*16V23	1 850
*16V5	1 670	*16V24	1 830
*16V6	1 630	*16V25	1 790
*16V7	1 890	*16V26	1 770
*16V8	1 870	*16V27	1 430
*16V9	1 830	*16V28	1 410
*16V10	1 790	*16V29	1 370
*16V11	1 770	*16V30	1 350
*16V12	1 730	*16V31	1 310
*16V13	1 710	*16V32	1 270
*16V14	1 710	*16V33	1 210
*16V15	1 710	*16V34	1 150
*16V16	1 730	*16V35	1 090
*16V17	1 770	*16V36	1 010
*16V18	1 790	*16V37	930
*16V19	1 810	*16V38	870



WEEPHOLE LOCATION DETAIL

(Use for sections 6 thru 25)



BENDING DIAGRAMS
All Dimensions are out to out of bars.

GENERAL NOTES:

CONCRETE: Concrete (Grade 30)(AE) shall be used throughout. Chamfer exposed edges with a 20 mm triangular moulding. Exposed surfaces shall be given a rubbed finish.

FORM LINER: Architectural form liner panels shall match other wall patterns on this project. Add backup strips as recommended by the manufacturer.

REINFORCING: All Reinforcing shall conform to ASTM A615M, Grade 420. All dimensions relative to reinforcing steel shall be to centerline of bar unless otherwise noted. Bar clearances shall be 40 mm unless otherwise noted.

EXCAVATION: All excavation for the retaining walls shall be Class III Excavation. Pay limits are from bottom of footing to 300 mm beyond each edge where in cut.

COARSE AGGERATE FILL: Coarse aggregate fill shall meet the requirements of Subsection 1102.02(a) for CA-4 or CA-5 of the Standard Specifications.

COMPACTION: Required compaction shall be made using small equipment which will not create additional stress against the retaining wall stem.

EXPANSION JOINT MATERIAL: Type B Expansion Joint Material shall conform to Section 1503 of the Standard Specifications. The Expansion Joint Material and 300 mm Filter Fabric shall be Subsidiary to the Bid Item "Concrete (Grade 30)(AE)".

REINFORCING STEEL

Straight Bars				Bent Bars			
Mark	Size	Number	Length	Mark	Size	Number	Length
F1	*16	358	1 120	F3	*13	24	900
F2	*16	648	1 420				
F4	*13	6	4 900	S1	*10	1006	1 035
F5	*13	6	8 200				
F6	*13	21	11 000	V1	*16	17	1 680
F7	*13	98	11 840	V2	*16	27	1 960
F8	*13	48	11 960	V3	*16	27	2 200
				V4	*16	27	2 160
H1	*13	14	4 900	V5	*16	27	2 120
H2	*13	378	7 900	V6	*16	27	2 080
				V7	*16	27	2 340
W1	*13	17	1 100	V8	*16	27	2 320
W2	*13	27	1 380	V9	*16	27	2 280
W3	*13	27	1 620	V10	*16	27	2 240
W4	*13	27	1 580	V11	*16	27	2 220
W5	*13	27	1 540	V12	*16	27	2 180
W6	*13	27	1 500	V13	*16	27	2 160
W7	*13	27	1 760	V14	*16	27	2 160
W8	*13	27	1 740	V15	*16	27	2 160
W9	*13	27	1 700	V16	*16	27	2 180
W10	*13	27	1 660	V17	*16	27	2 220
W11	*13	27	1 640	V18	*16	27	2 240
W12	*13	27	1 600	V19	*16	27	2 260
W13	*13	27	1 580	V20	*16	27	2 300
W14	*13	27	1 580	V21	*16	27	2 320
W15	*13	27	1 580	V22	*16	27	2 340
W16	*13	27	1 600	V23	*16	27	2 300
W17	*13	27	1 640	V24	*16	27	2 280
W18	*13	27	1 660	V25	*16	27	2 240
W19	*13	27	1 680	V26	*16	27	2 220
W20	*13	27	1 720	V27	*16	27	1 880
W21	*13	27	1 740	V28	*16	27	1 860
W22	*13	27	1 760	V29	*16	27	1 820
W23	*13	27	1 720	V30	*16	27	1 800
W24	*13	27	1 700	V31	*16	27	1 760
W25	*13	27	1 660	V32	*16	27	1 720
W26	*13	27	1 640	V33	*16	27	1 660
W27	*13	27	1 300	V34	*16	27	1 600
W28	*13	27	1 280	V35	*16	27	1 540
W29	*13	27	1 240	V36	*16	27	1 460
W30	*13	27	1 220	V37	*16	27	1 380
W31	*13	27	1 180	V38	*16	17	1 320
W32	*13	27	1 140				
W33	*13	27	1 080				
W34	*13	27	1 020				
W35	*13	27	960				
W36	*13	27	880				
W37	*13	27	800				
W38	*13	17	740				

SUMMARY OF QUANTITIES

Concrete (Grade 30)(AE)	264.1 m ³
Reinforcing Steel (GR. 420)	12 360.00 kg
Class III Excavation	m ³
Surface Coating Finish	462.0 s.m.

CITY OF WICHITA
GENERAL NOTES AND REINFORCING DETAILS RETAINING WALL #10
SEDGWICK COUNTY

Professional Engineering Consultants, P.A.
303 S. TOPEKA - WICHITA, KANSAS 67202
316-262-2691 • FAX 316-262-3003

Designed by	SET	Checked by	R.A.S.
Drawn by	DWK	Date	April, 2002
		Job No.	97362

RECORD DRAWING

DSNR: DWK OPER: JGP SCALE: 1:1997/97362/As-Built/dgn's/Vol 2/Sh 369-gennote10.dgn Last Rev: 8-24-07 By: gdr