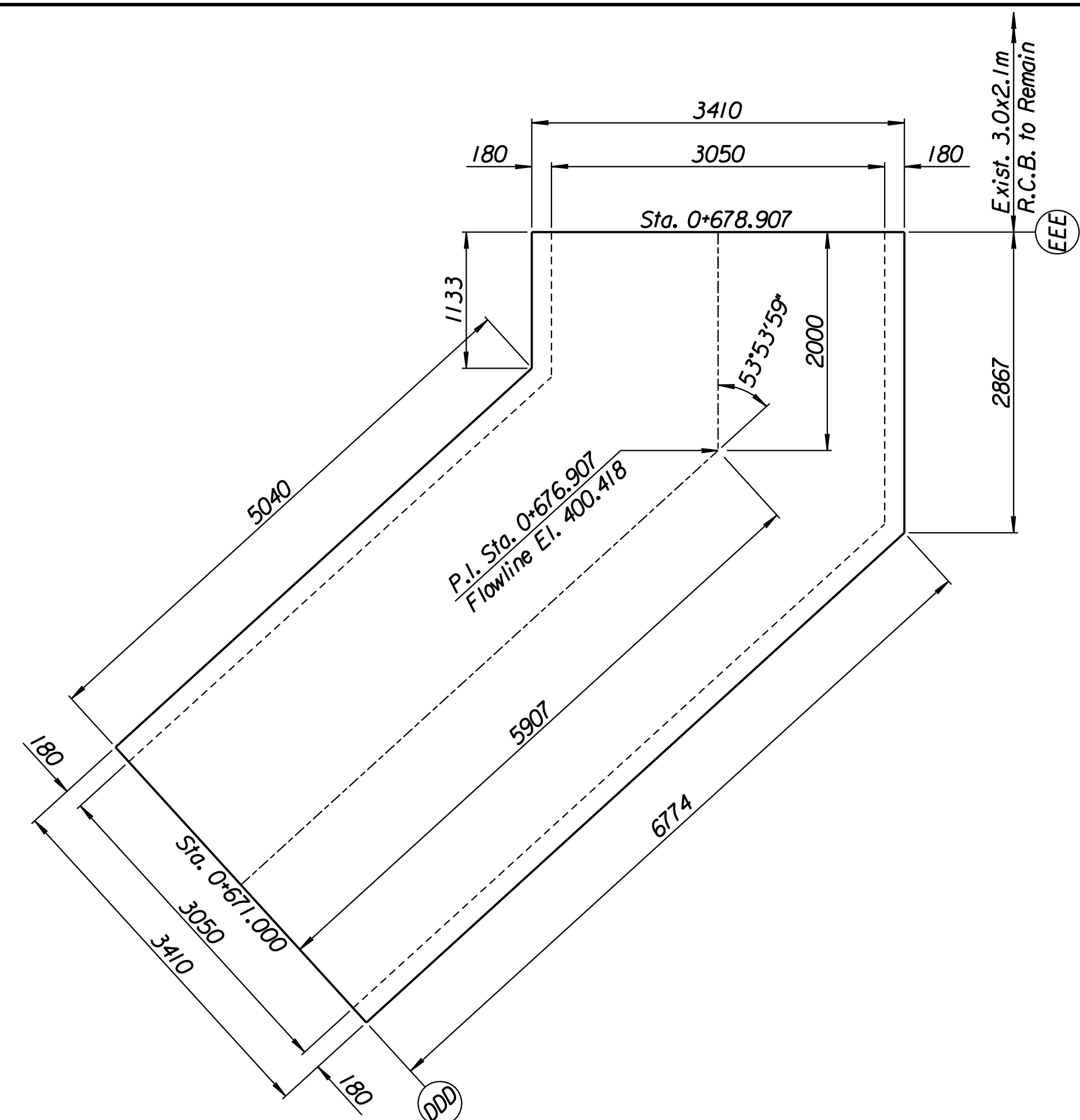
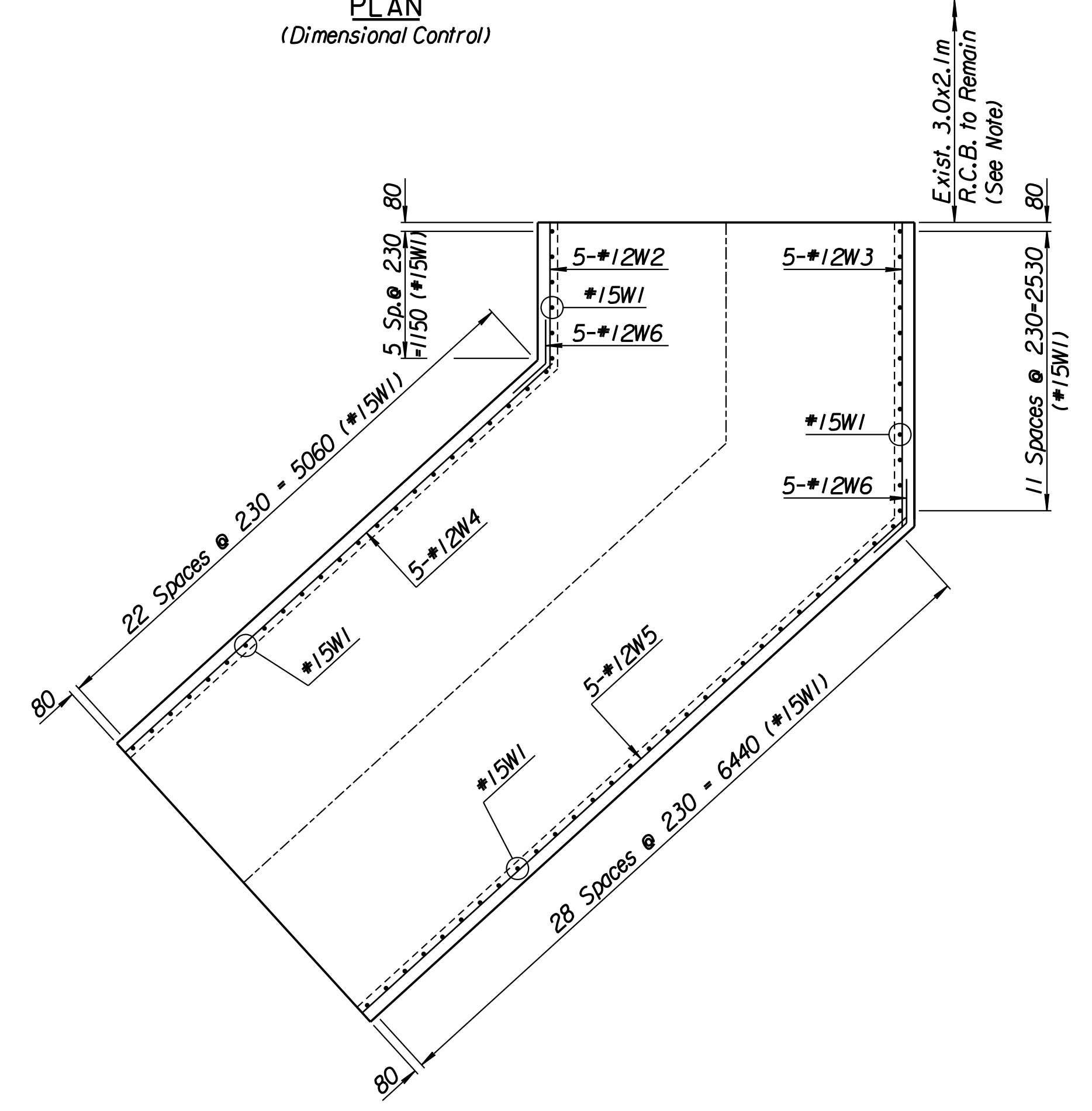


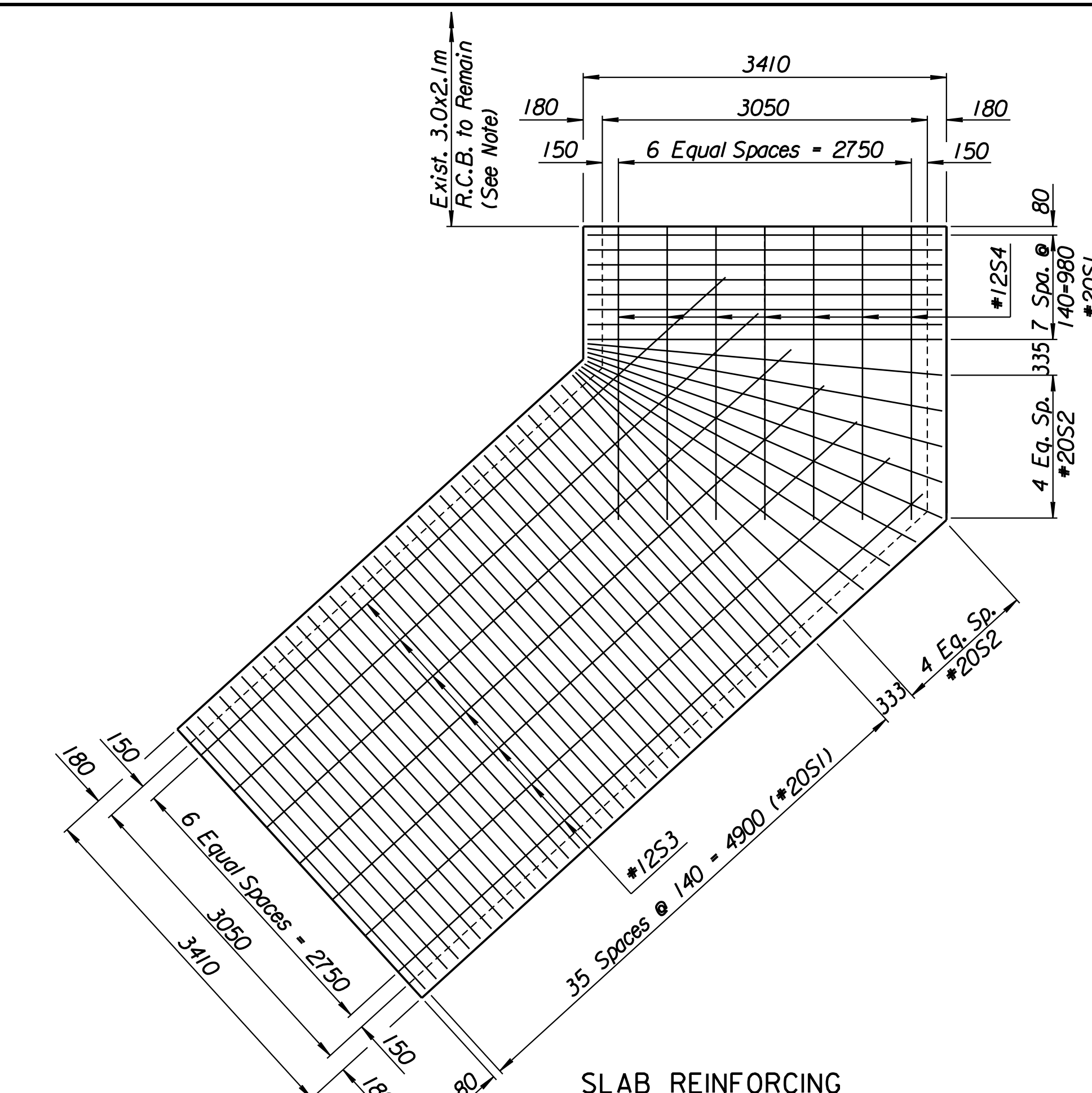
STATE	PROJECT NO.	YEAR	SHEET NO.	TOTAL SHEETS
KANSAS	54-87 K-6657-01	2002	425	1122



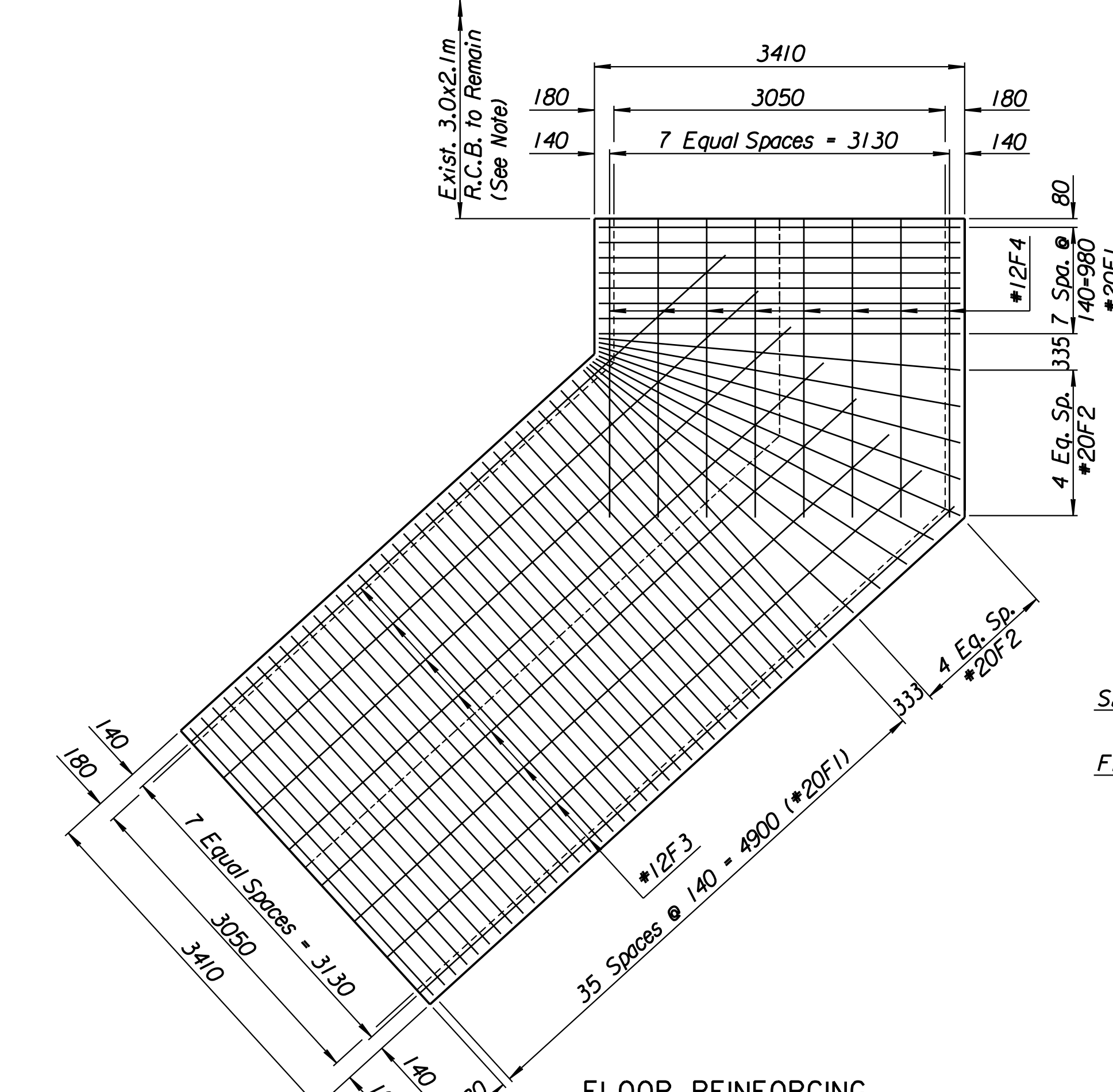
PLAN  
(Dimensional Control)



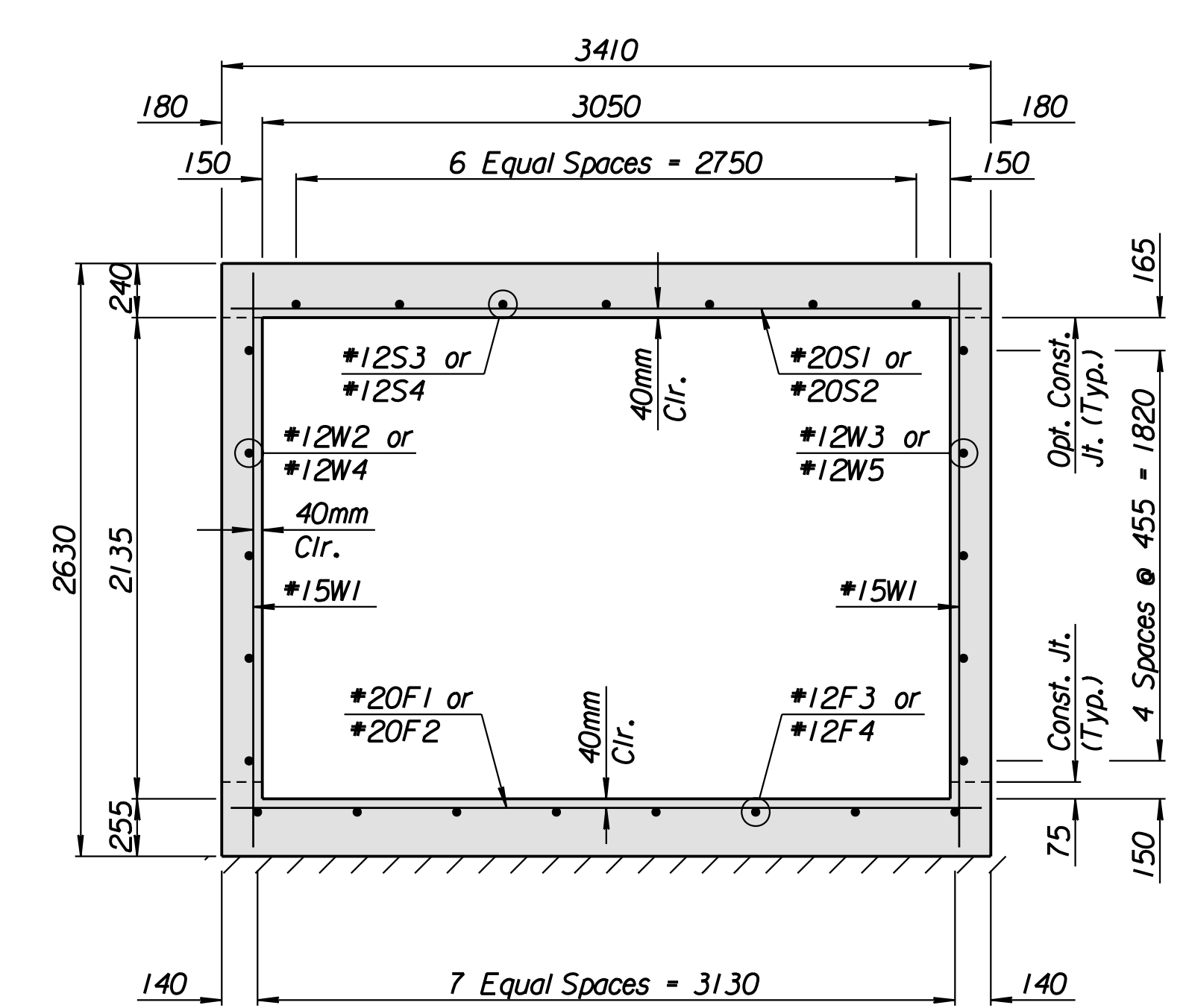
WALL REINFORCING



SLAB REINFORCING



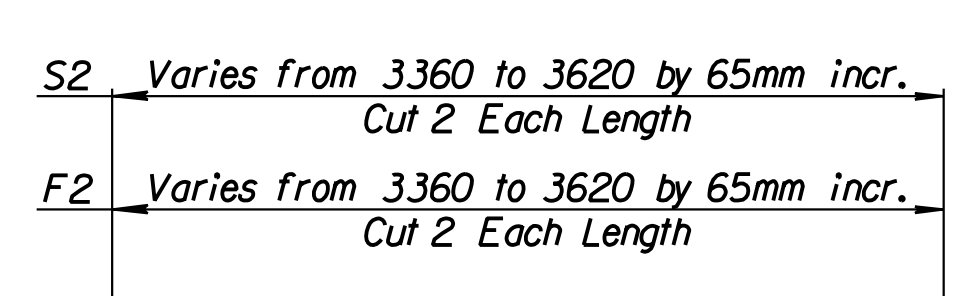
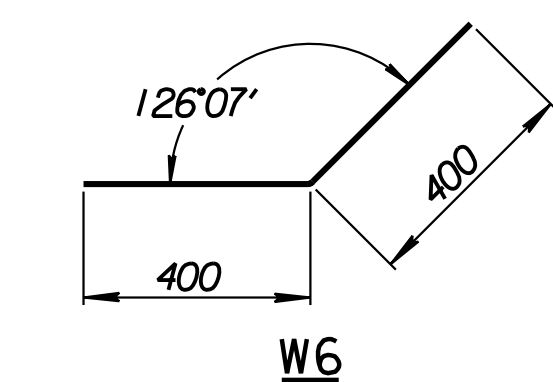
FLOOR REINFORCING



TYPICAL SECTION

REINFORCING STEEL							
Straight Bars				Bent Bars			
Mark	No.	Size	Length	Mark	No.	Size	Length
F1	44	#20	3300	W6	10	#12	800
F2	9	#20	Varies				
F3	8	#12	6750				
F4	8	#12	2800				
S1	44	#20	3300				
S2	9	#20	Varies				
S3	7	#12	6750				
S4	7	#12	2800				
W1	70	#15	2540				
W2	5	#12	1160				
W3	5	#12	2700				
W4	5	#12	5070				
W5	5	#12	6670				

SUMMARY OF QUANTITIES		
Item	Quantity	Unit
Class AAA Concrete	19.5	m <sup>3</sup>
Reinforcing Steel (Grade 420)	1340	kg



F2, S2  
BENDING DIAGRAMS  
Dimensions are out to out of bars

Note:  
See Plan Profile Sheets for location of this R.F.B. Section.

Existing #12 wall, slab and floor inside face reinforcing to project 600mm into New R.C.B.

See Sheet No. 413 for General Notes.

1	Revisions	By	Date
No.			
CITY OF WICHITA			
SPECIAL 3.0x2.1x7.907 M R.C.B. SECTION AT P.I. KELLOGG (US-54)			
SEDGWICK COUNTY			
Professional Engineering Consultants, P.A. 303 S. TOPEKA • WICHITA, KANSAS 67202 316-262-2691 • FAX 316-262-3003			
Designed by	R.W.A.	Checked by	R.A.S.
Drawn by	W.L.L.	Date	April 11, 2002
		Job No.	97362

Drawn by: wil  
 Plotted by: ras 2-11-2002  
 I:/1997/97362/As-Built/s/dgn/s/Vol\_2/Sh\_425-30BEND2.dgn Last Rev.: 8-29-07 By: gdr