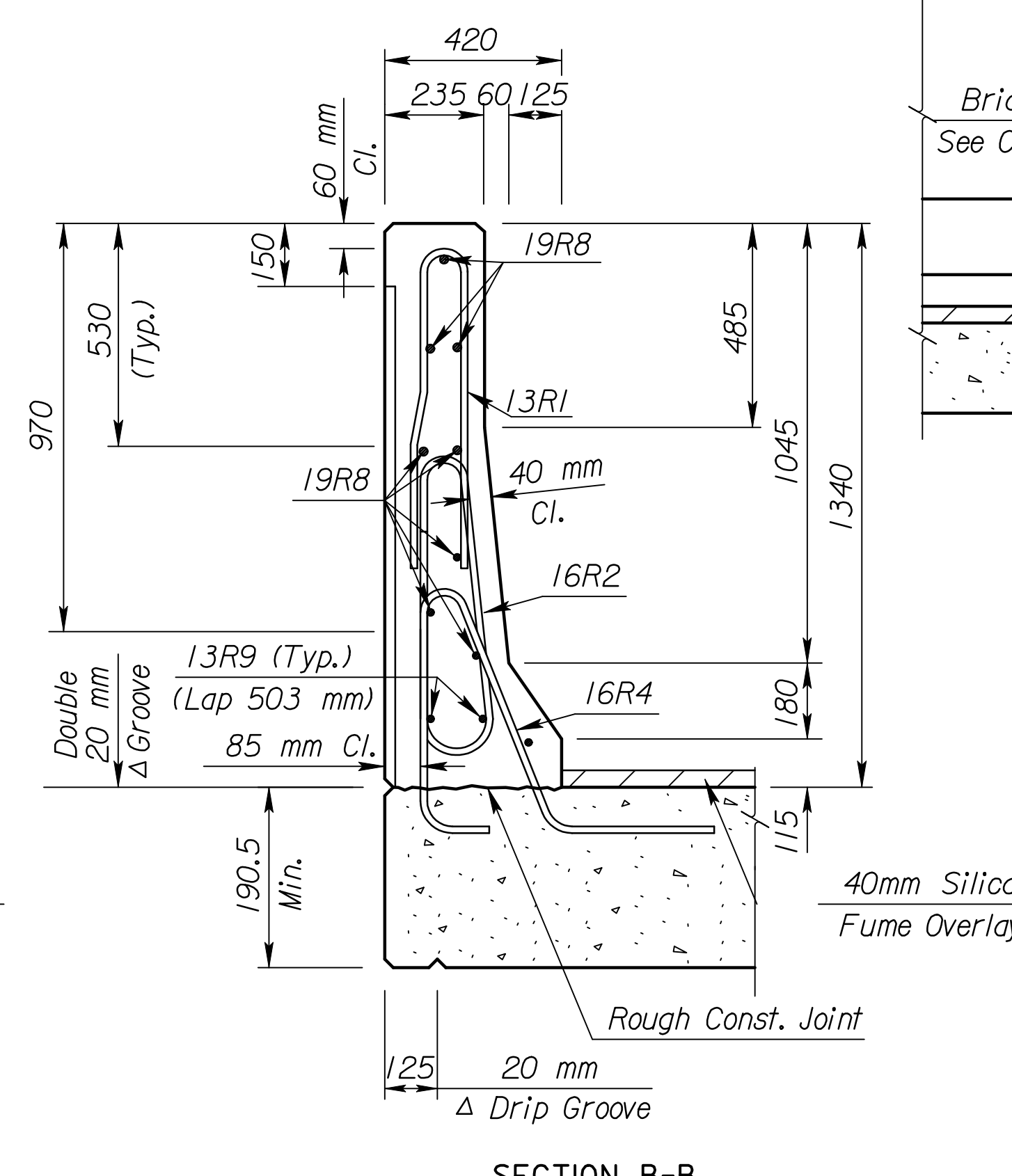
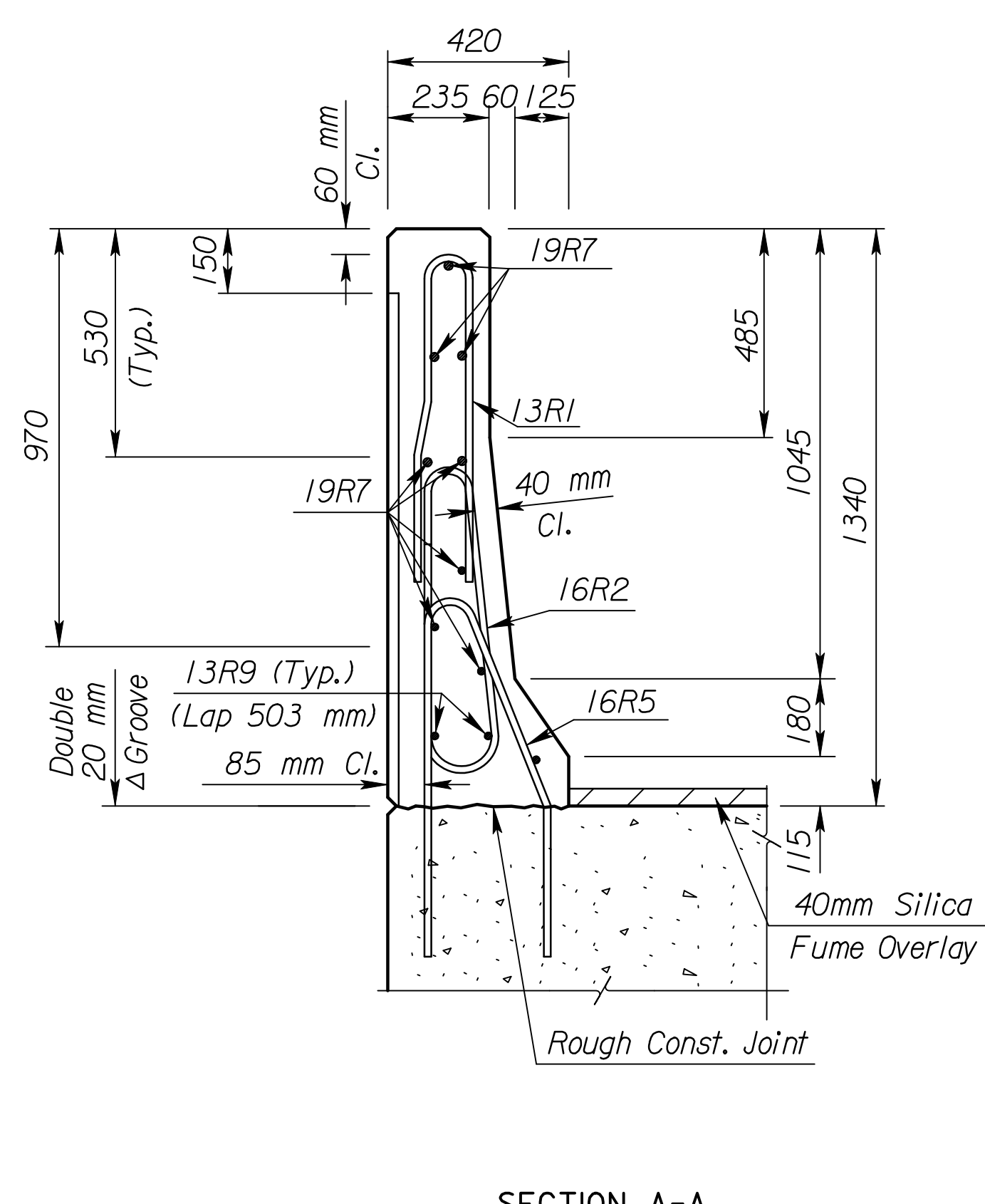
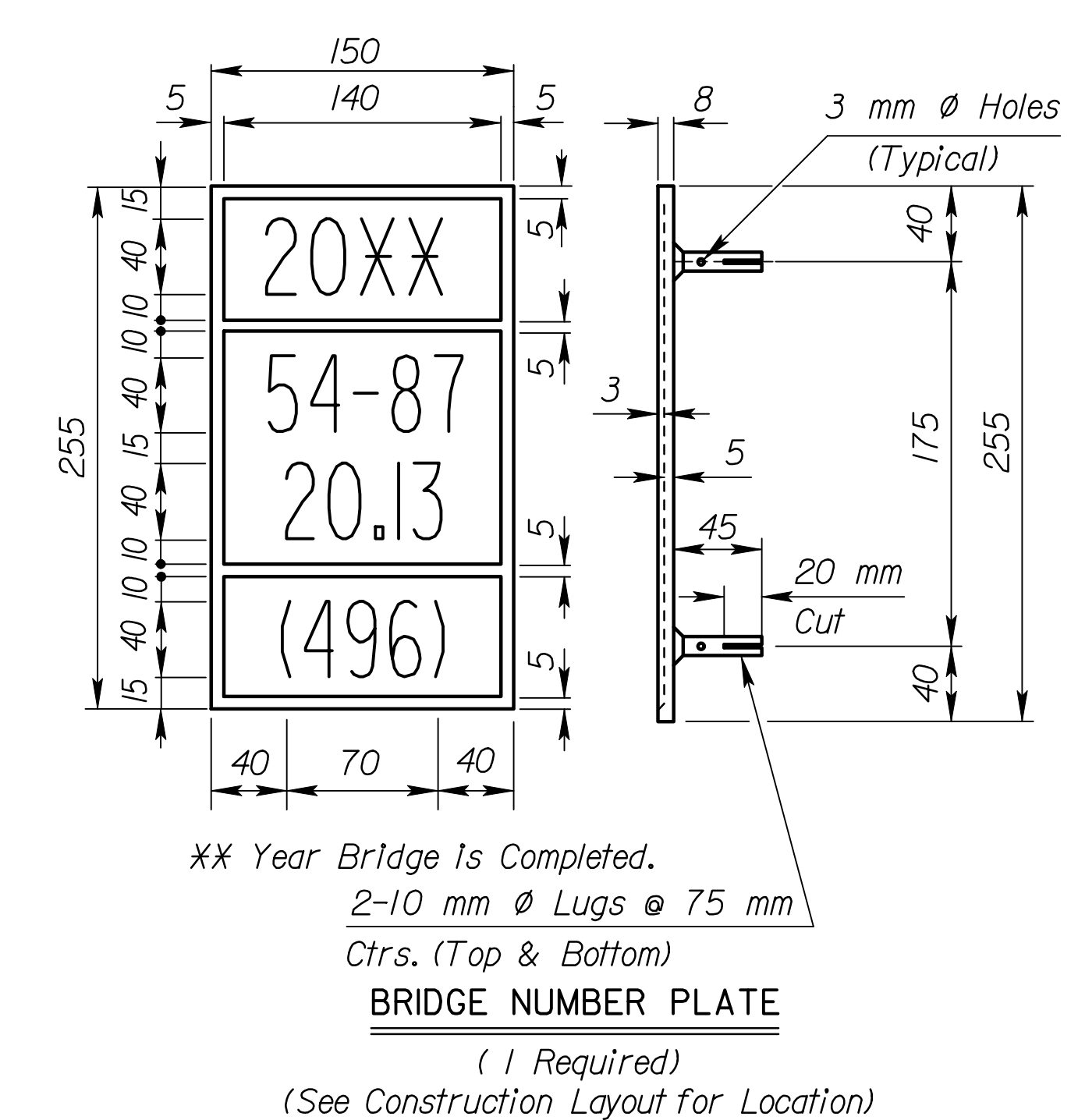
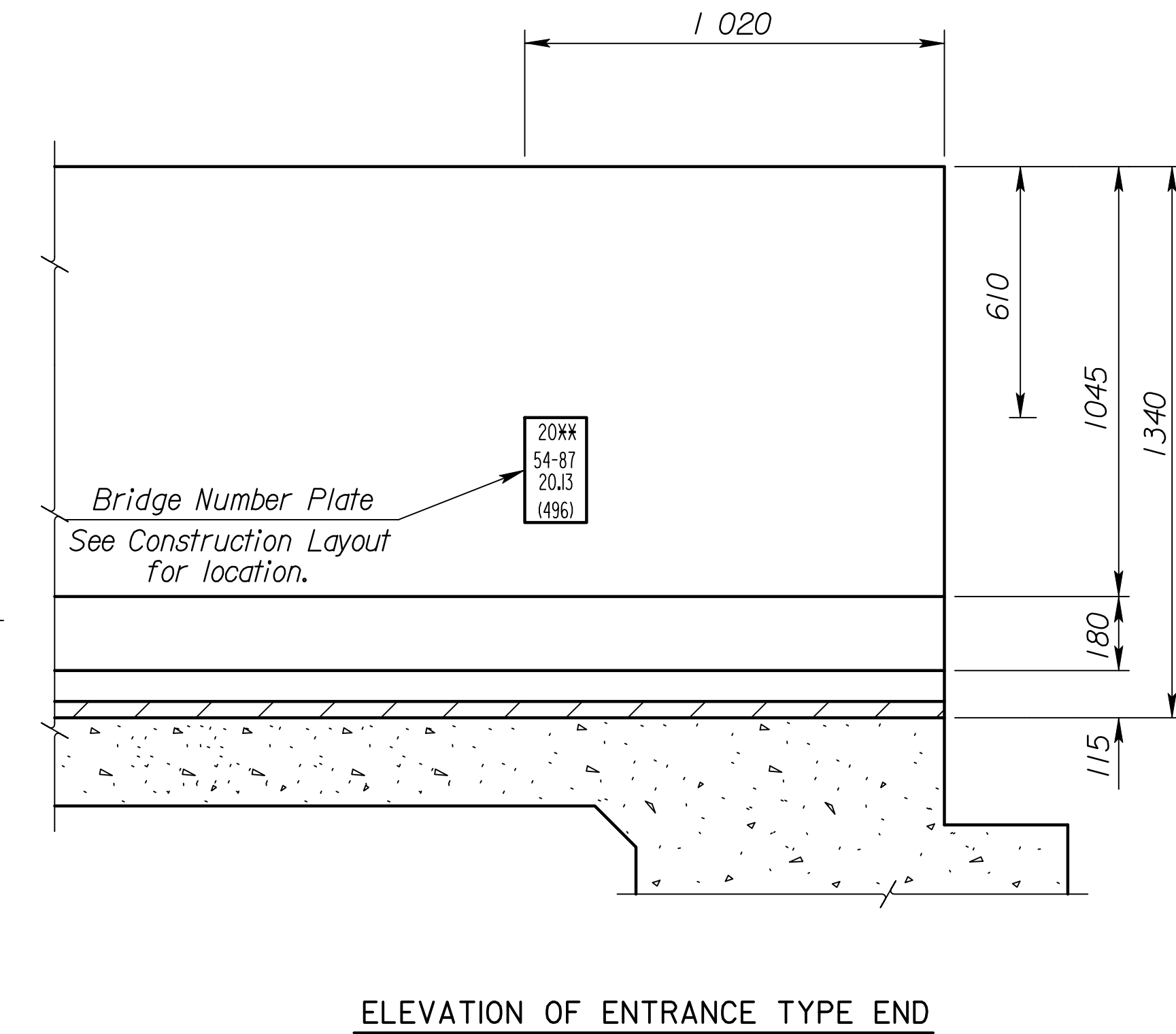
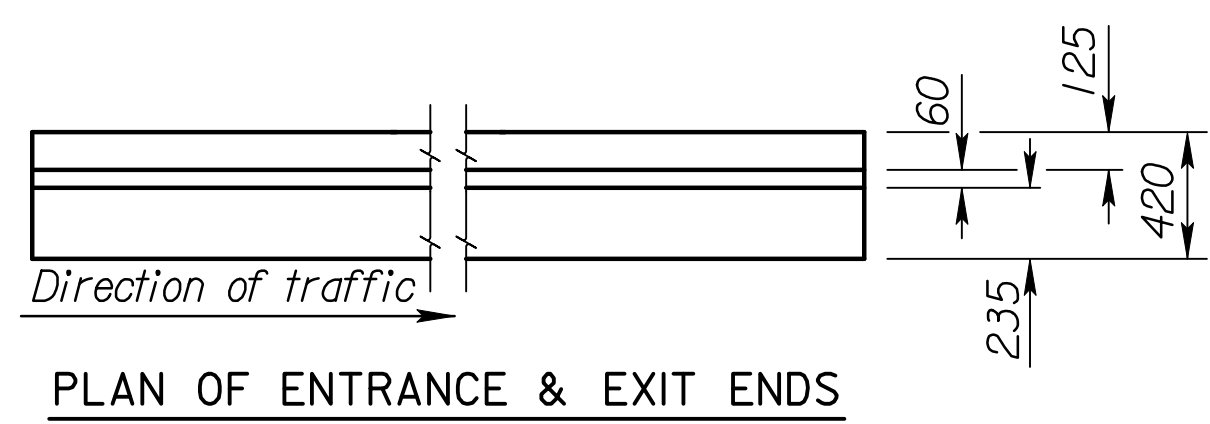
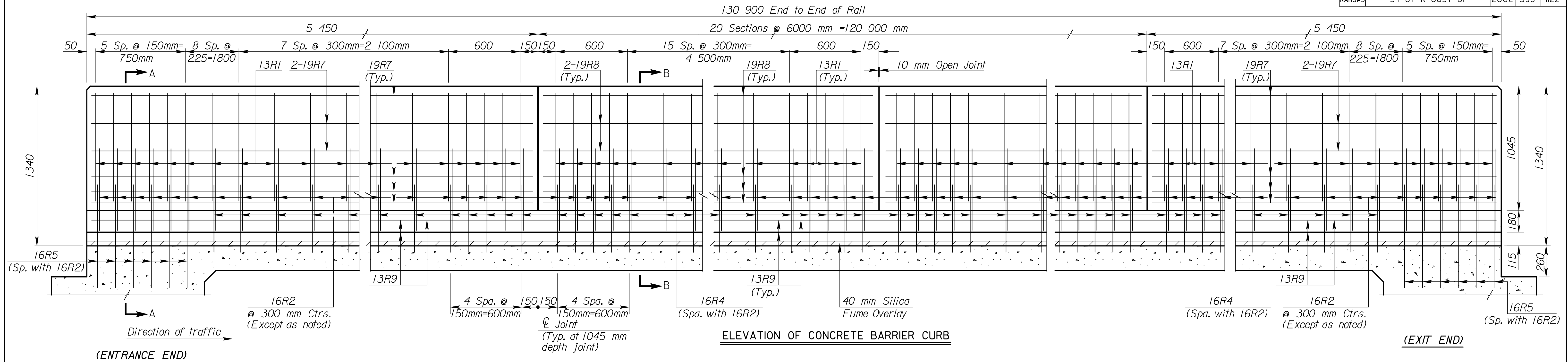


STATE	PROJECT NO.	YEAR	SHEET NO.	TOTAL SHEETS
KANSAS	54-87 K-6657-01	2002	599	1122



Plotted By : gdr  
 Plot File : I:\1997\97362\As-Builts\dgrs\Vol\_3\Sh\_599-KDOT\_ST-D-1300NorthRail.dgn Last Rev: 9-6-07 By: gdr  
 Plot Date : Sept. 07

**RECORD DRAWING**

3				
2				
1	10-27-00	Current Release		
NO.	DATE	REVISIONS	BY	APP'D

**CITY OF WICHITA**  
 Br. No. 54-87-20.13 (496) W.B. Sta. 17+332.607  
 1300mm F2 BARRIER CURB  
 NORTH RAIL  
 KELLOGG (US 54) OVER TYLER ROAD  
 SEDGWICK Co.

SHEET NO.	OF	SCALE	APP'D
DESIGNED	QUANTITIES	DETAILLED	CADD
DESIGN CK.	DETAIL CK.	QUAN. CK.	CADD CK.