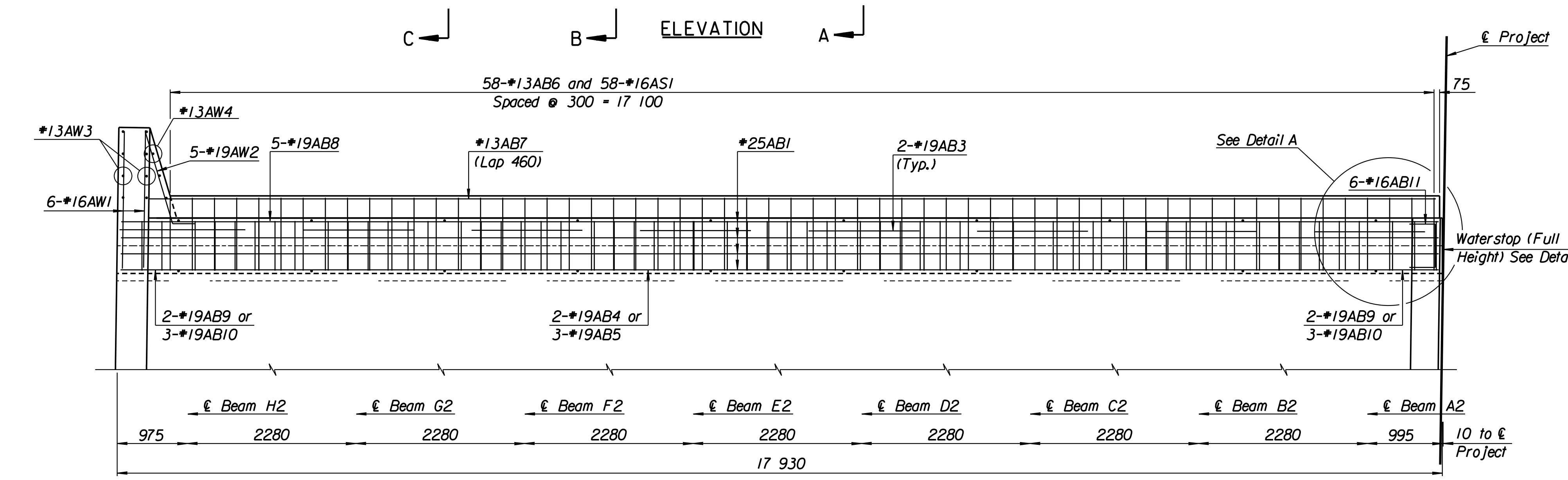
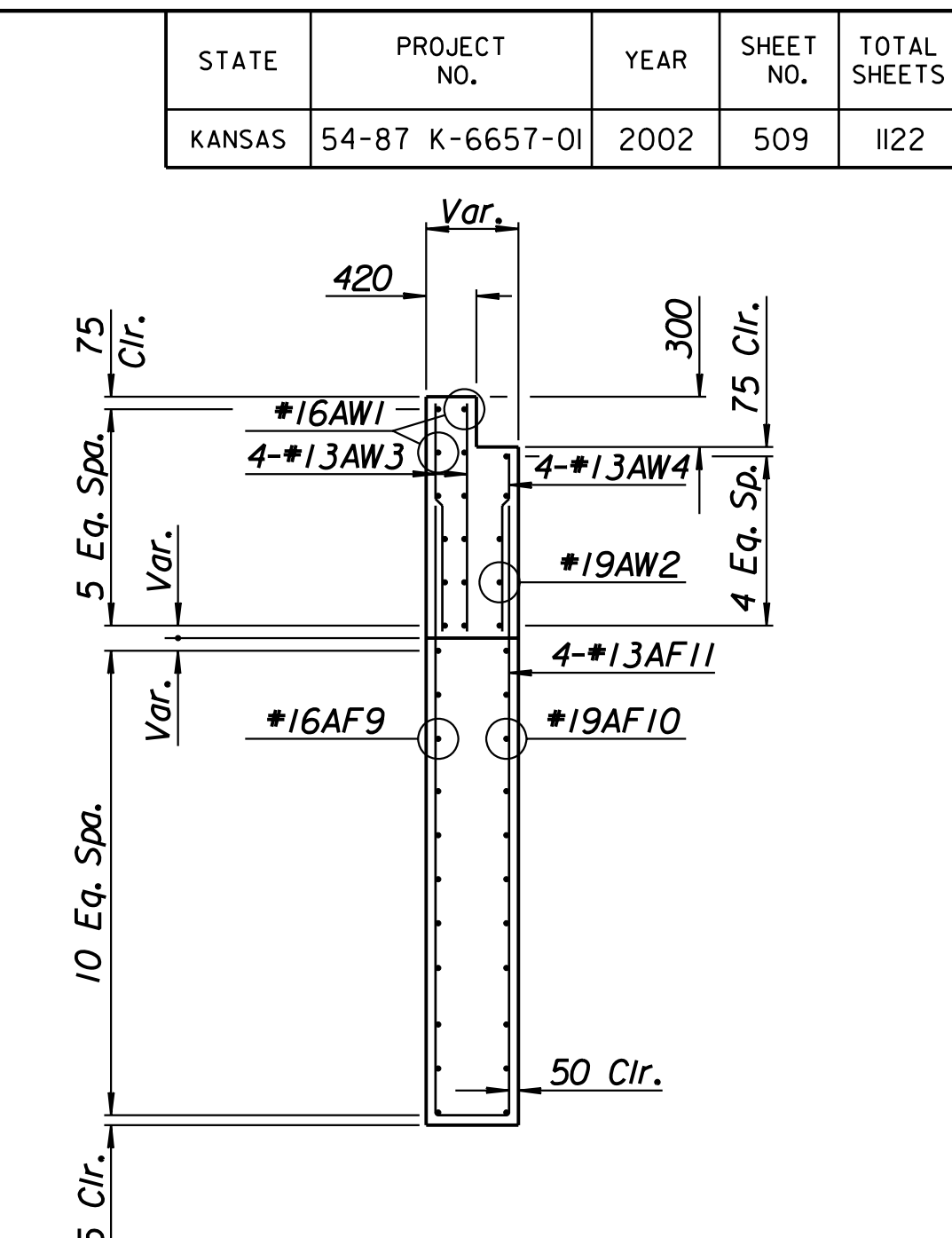
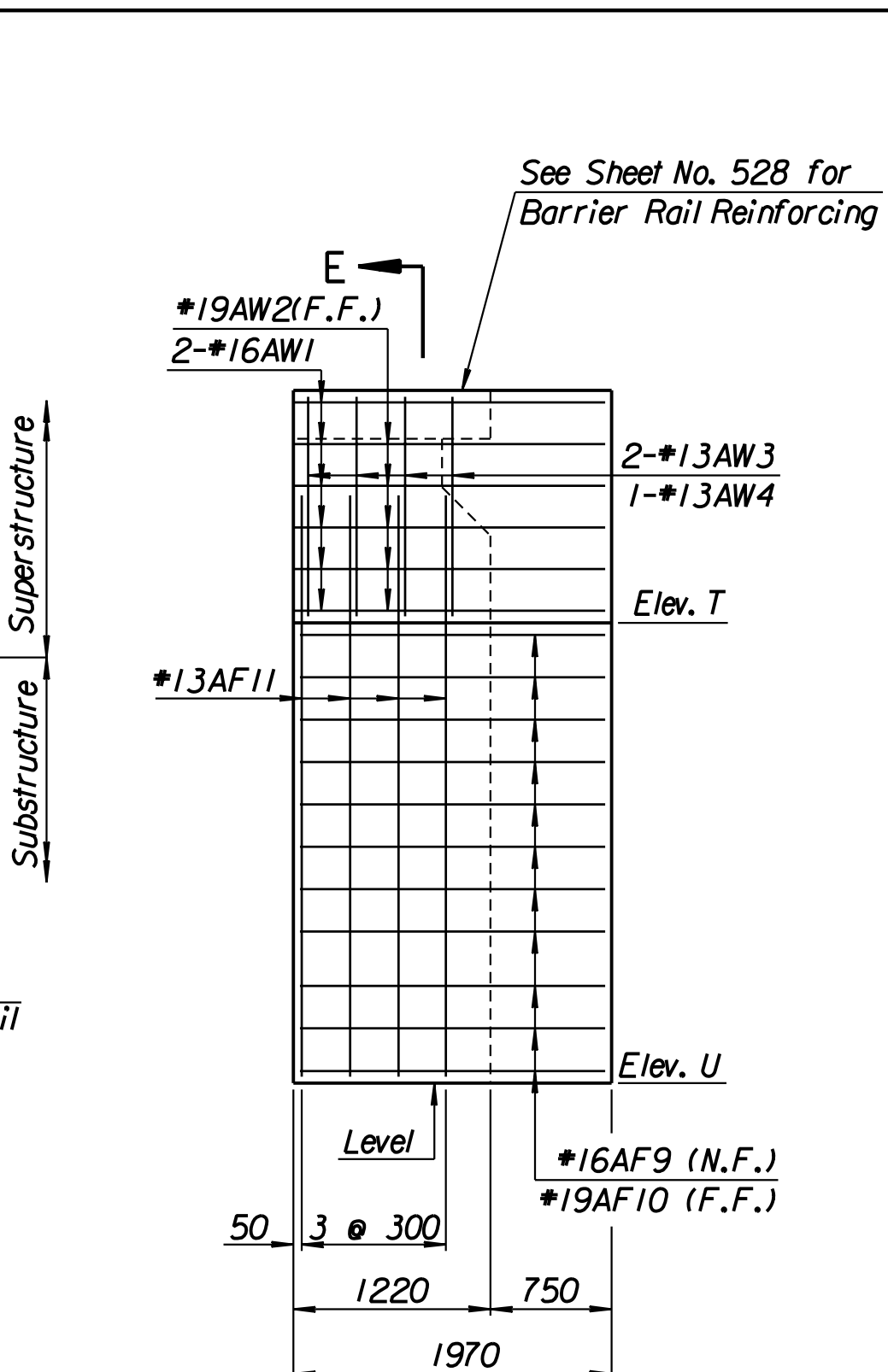
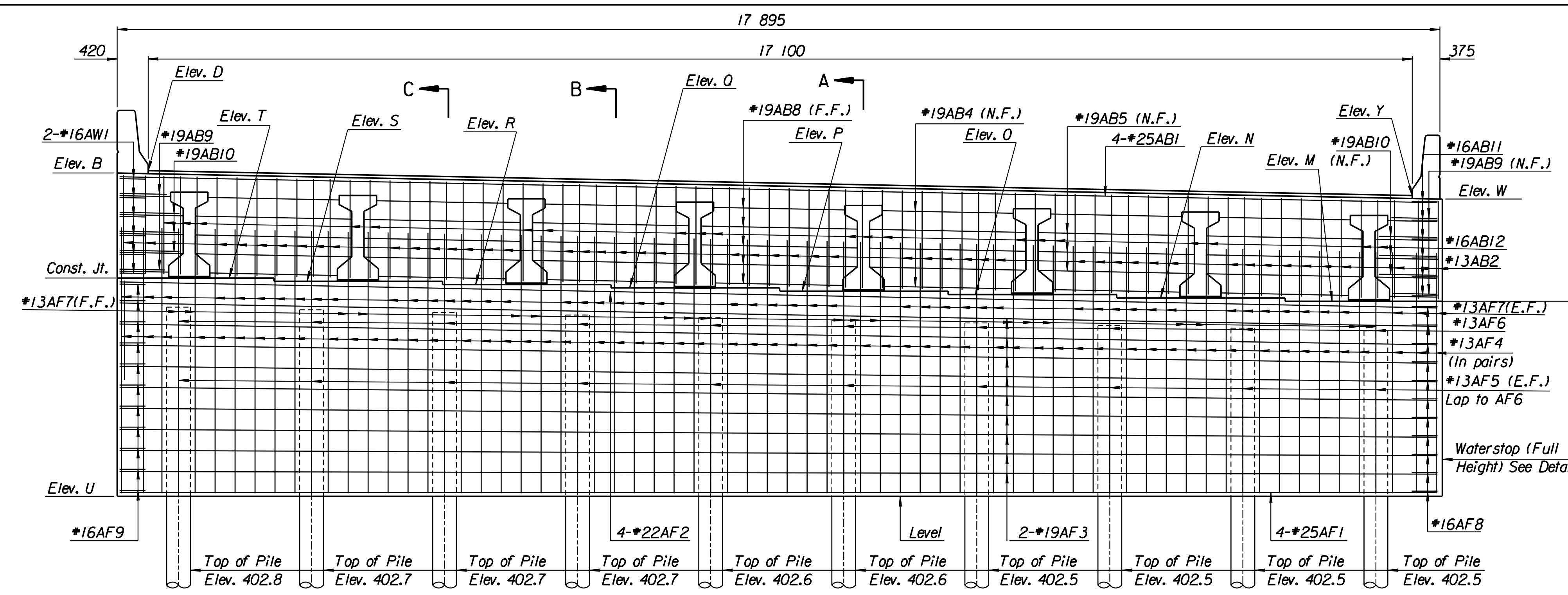
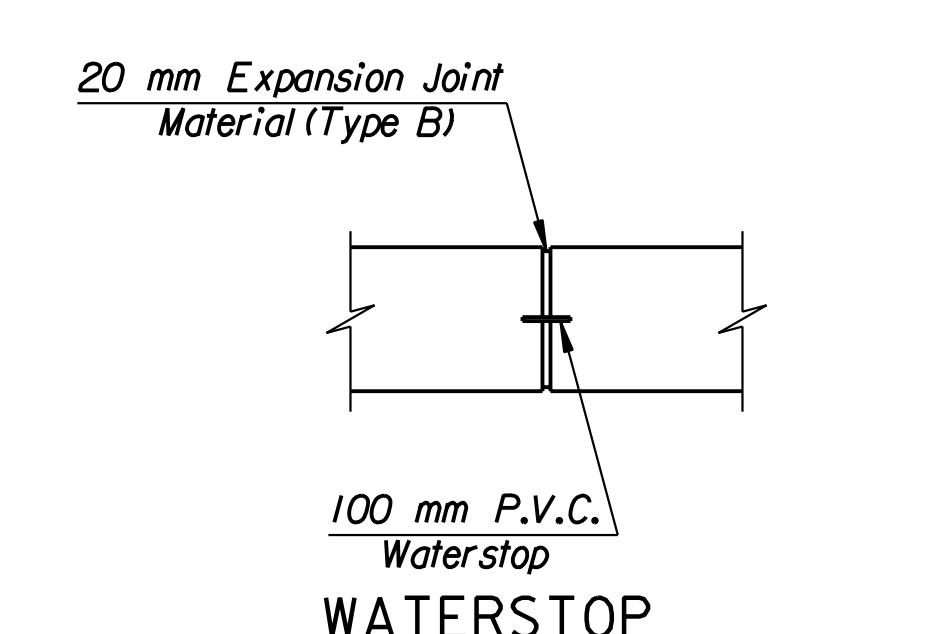


STATE	PROJECT NO.	YEAR	SHEET NO.	TOTAL SHEETS
KANSAS	54-87 K-6657-01	2002	509	1122

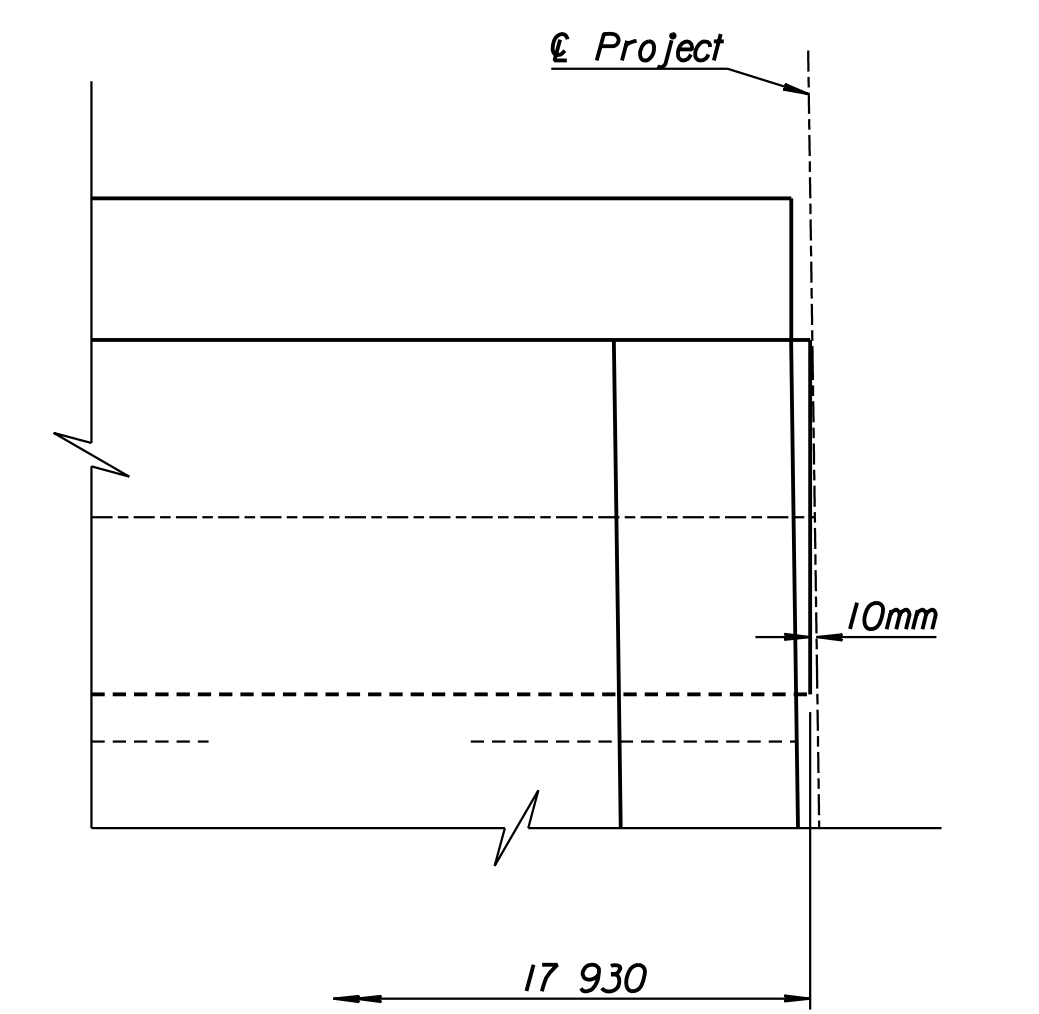


Location	Elevation
Elev. B	404.591
Elev. D	404.622
Elev. M	402.856
Elev. N	402.901
Elev. O	402.946
Elev. P	402.991
Elev. Q	403.036
Elev. R	403.081
Elev. S	403.126
Elev. T	403.171
Elev. U	400.219
Elev. W	404.238
Elev. Y	404.285

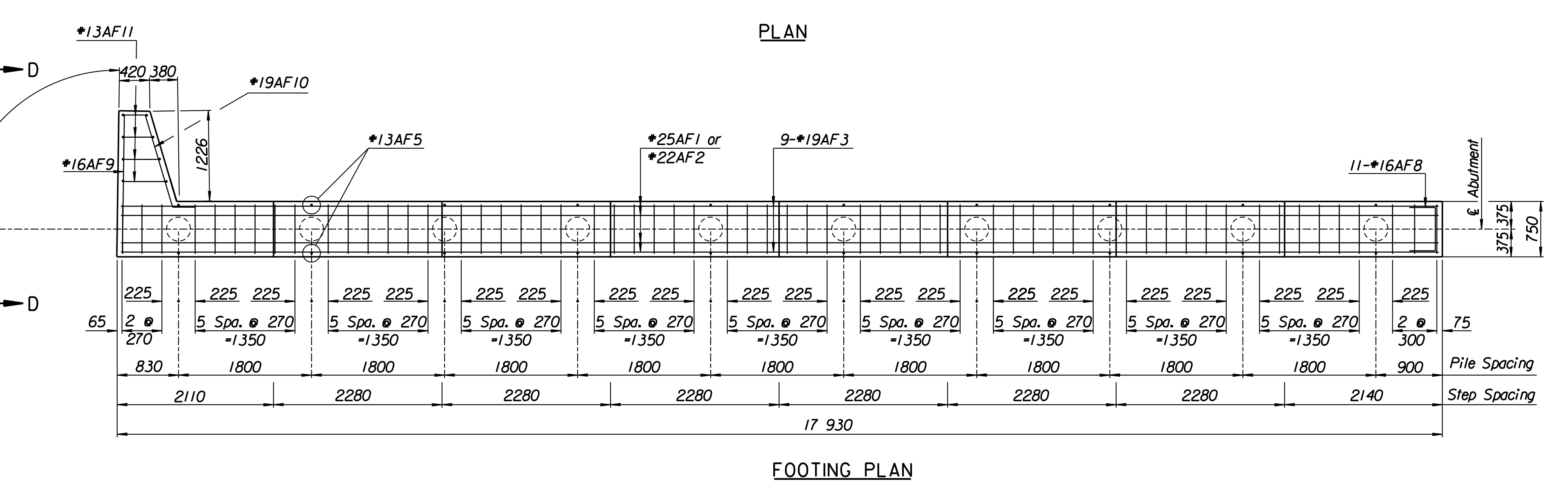
LEGEND:
 N.F. = Near Face
 F.F. = Far Face
 E.F. = Each Face



Group / Loading	Actual	Allowable
Group 1 Loading	436	440



DETAIL A
 (No Reinforcing shown for clarity)
RECORD DRAWING



No.	Revisions	By	Date
CITY OF WICHITA			
BR. NO. 54-87-19.30(493) E.B.		STA. 16+011.650	
WEST KELLOGG EASTBOUND MAINLINE OVER COWSKIN CREEK ABUTMENT NO. 1 DETAILS			
SEDGWICK COUNTY			
Professional Engineering Consultants, P.A. 303 S. TOPEKA - WICHITA, KANSAS 67202 316-262-2691 • FAX 316-262-3005			
Designed by	R.A.S.	Checked by	R.A.S.
Drawn by	R.A.S.	Date	April, 2002
		Job No.	97362

Drawn By: ros
 Plotted By: gdr
 i:/1997/97362/As-Builts/dgn's/Vol_3/Sh 509-abmt1ebml.dgn Last Rev: 9-4-07 By: gdr