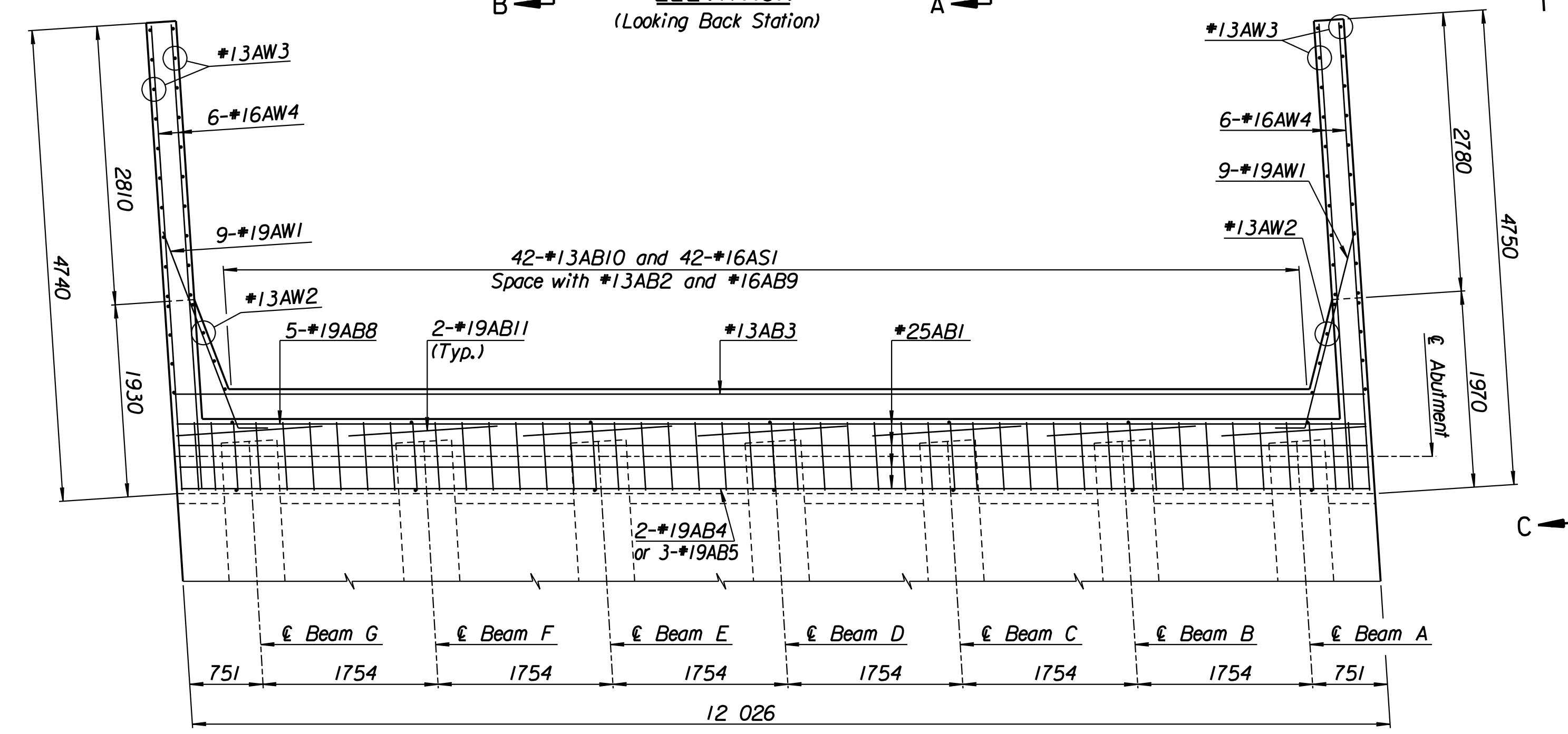
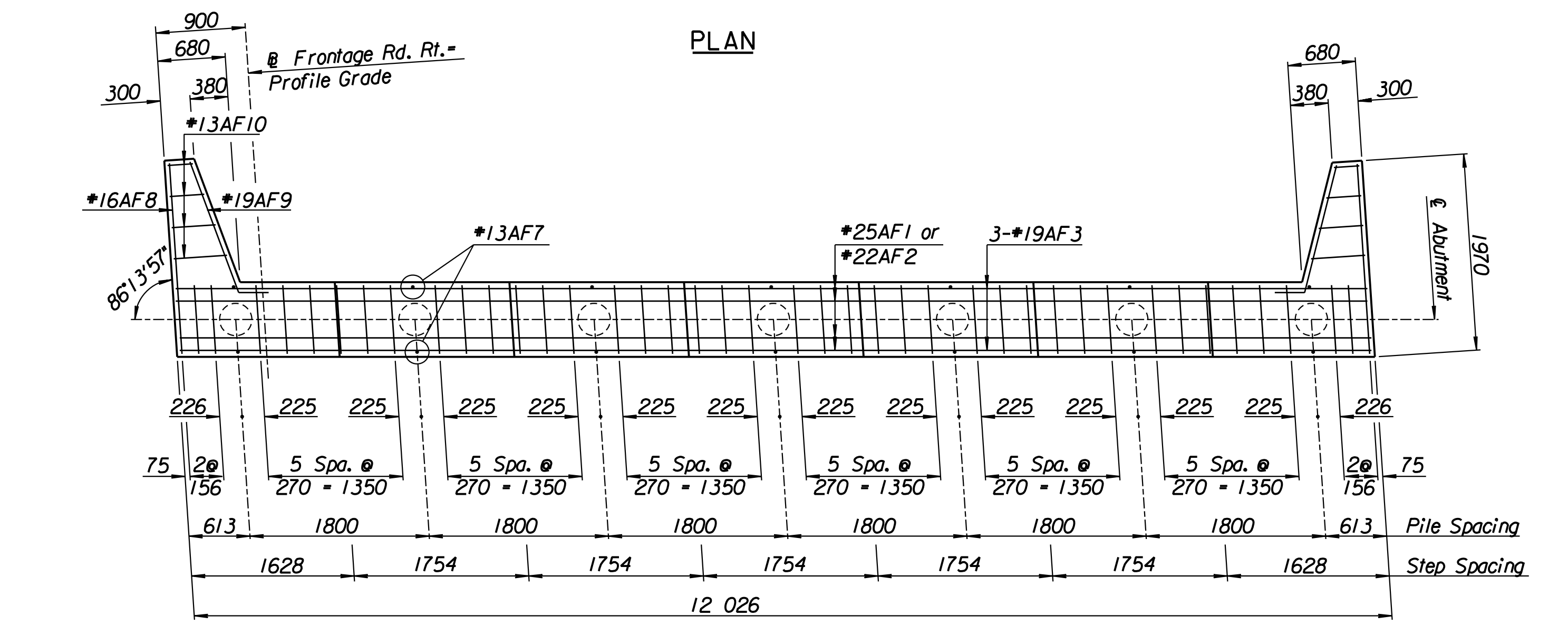


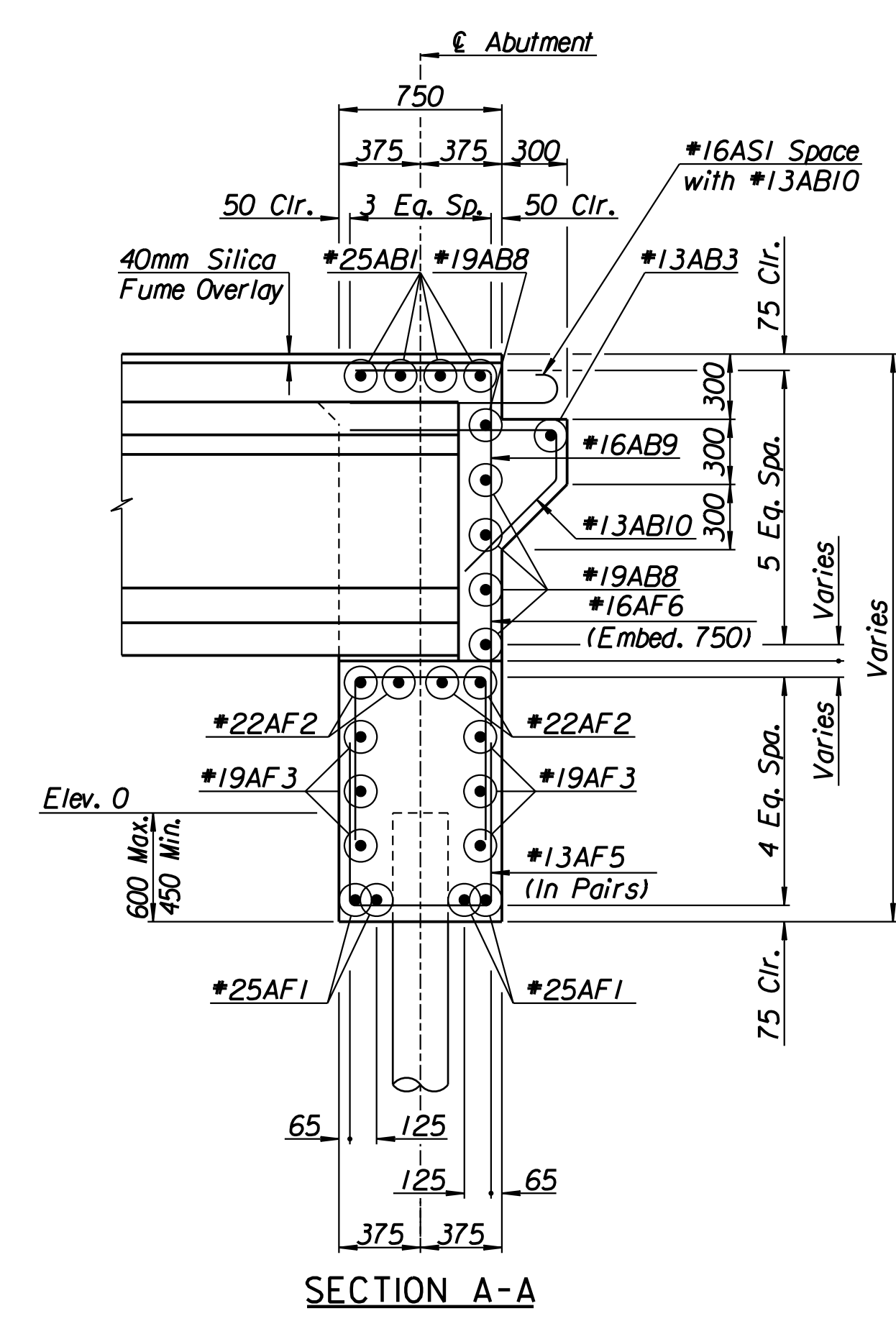
ELEVATION  
(Looking Back Station)



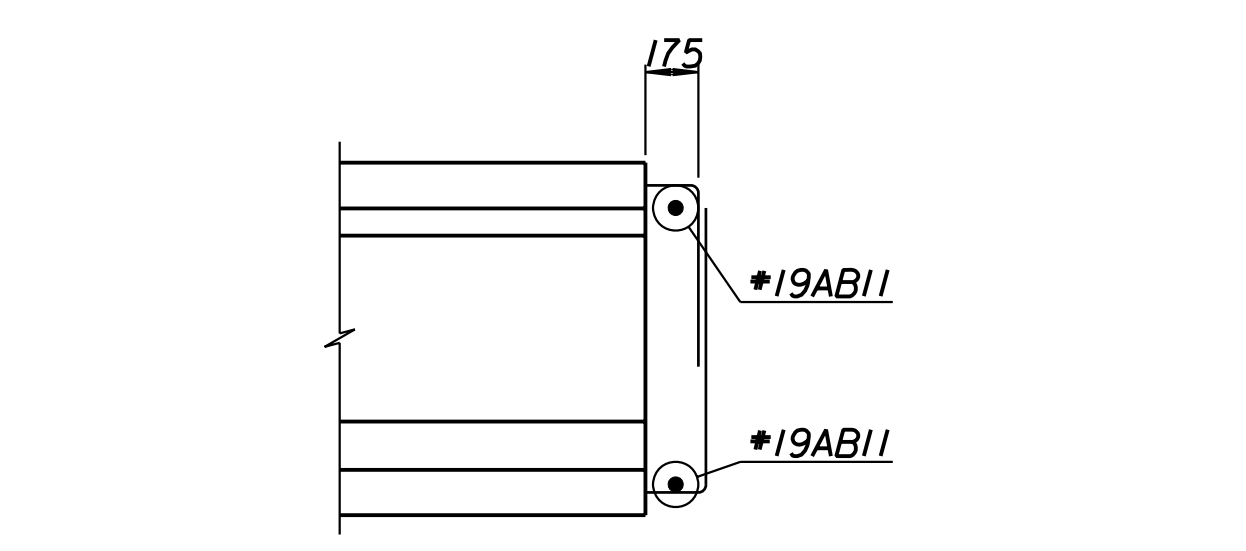
PLAN



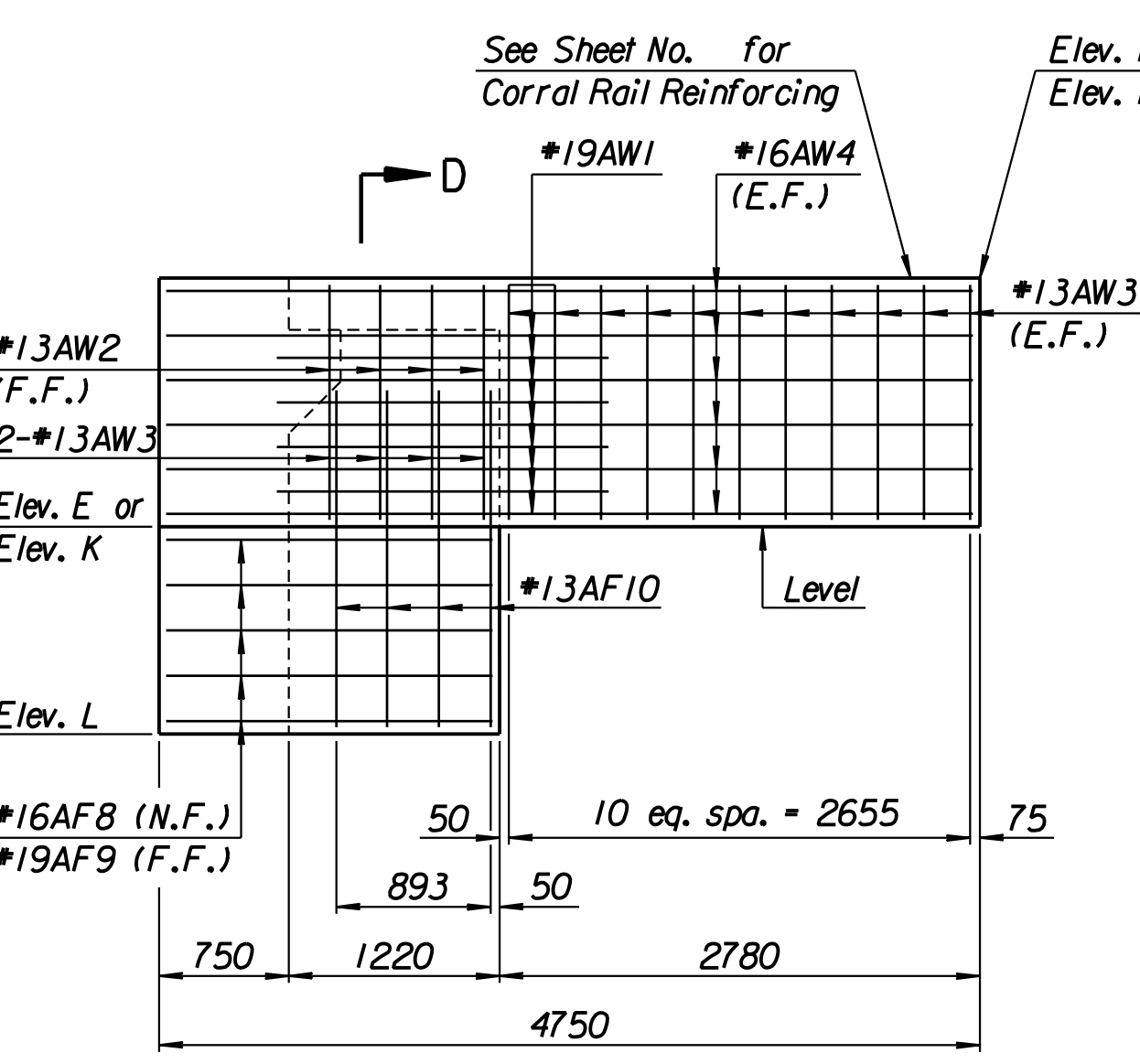
FOOTING PLAN



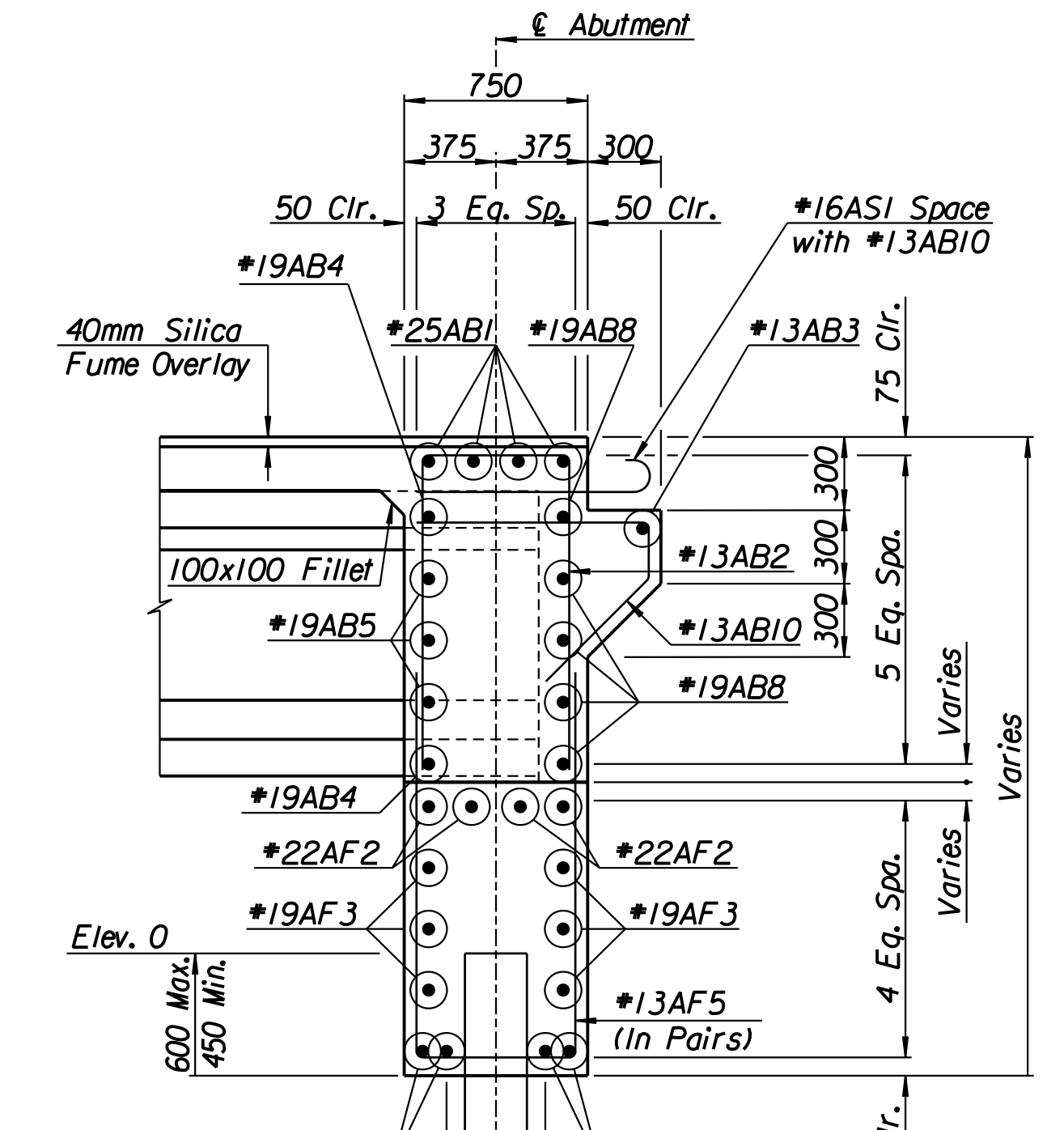
SECTION A-A



SECTION B-B



VIEW C-C



SECTION D-D

LEGEND:  
N.F. = Near Face  
F.F. = Far Face  
E.F. = Each Face

TABLE OF ELEVATIONS

Location	Elevation
Abutment #1	
Elev. A	402.892
Elev. B	402.646
Elev. C	402.926
Elev. D	402.692
Elev. E	401.477
Elev. F	401.441
Elev. G	401.405
Elev. H	401.369
Elev. I	401.333
Elev. J	401.297
Elev. K	401.261
Elev. L	400.210
Elev. M	402.891
Elev. N	402.657
Elev. O	400.810

Abutment Pile Loadings (kN)

Group / Loading	Actual	Allowable
Group 1 Loading	435	440

No.	Revisions	By	Date
CITY OF WICHITA BR. NO. 54-87-19.29 (492) F.E.B. STA. 16+005.740 WEST KELLOGG EASTBOUND FRONTAGE ROAD OVER COWSKIN CREEK <b>ABUTMENT NO. 1 DETAILS</b> SEDGWICK COUNTY <b>Professional Engineering Consultants, P.A.</b> 303 S. TOPEKA • WICHITA, KANSAS 67202 316-262-2691 • FAX 316-262-3003			
Designed by	RAS	Checked by	RAS
Drawn by	DRP	Date	April, 2002
		Job No.	97362

RECORD DRAWING

DSNR: RAS OPER: DRP SCALE: 40  
 i:/1997/97362/As-Built/dgn's/NoL\_3/5h\_536-abutmentebfirt.dgn Last Rev: 9-5-07 By: gdr