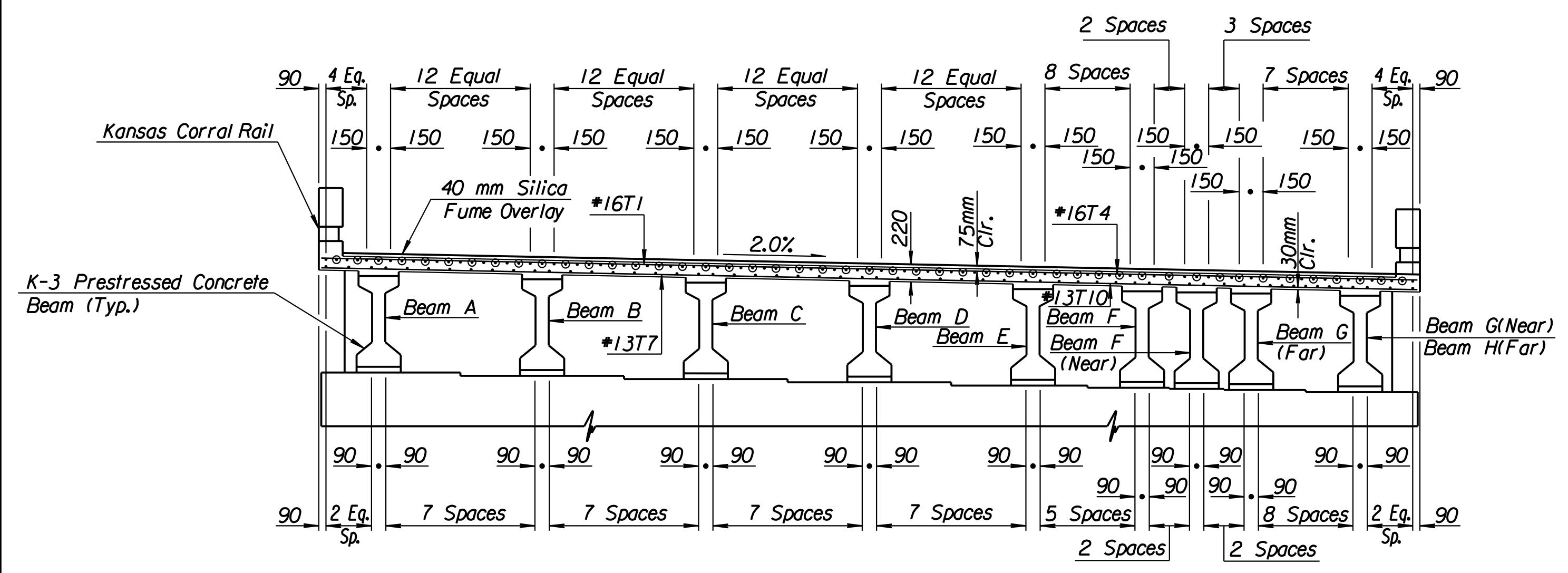
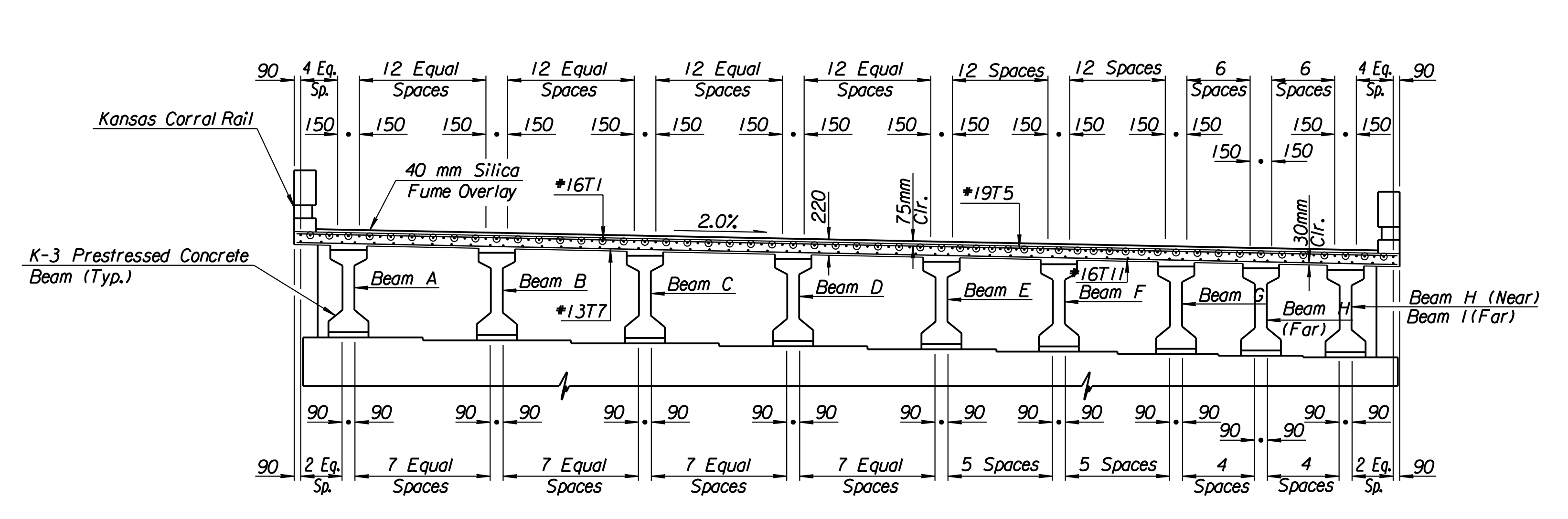


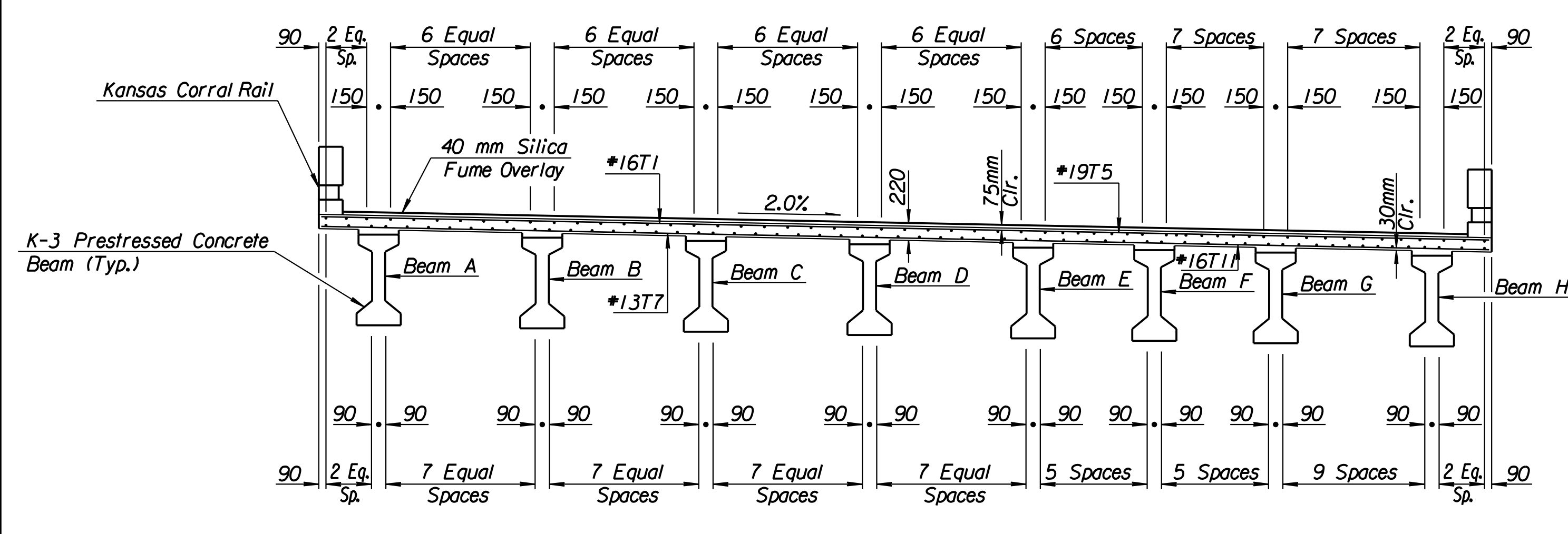
STATE	PROJECT NO.	YEAR	SHEET NO.	TOTAL SHEETS
KANSAS	54-87 K-6657-01	2002	555	1122



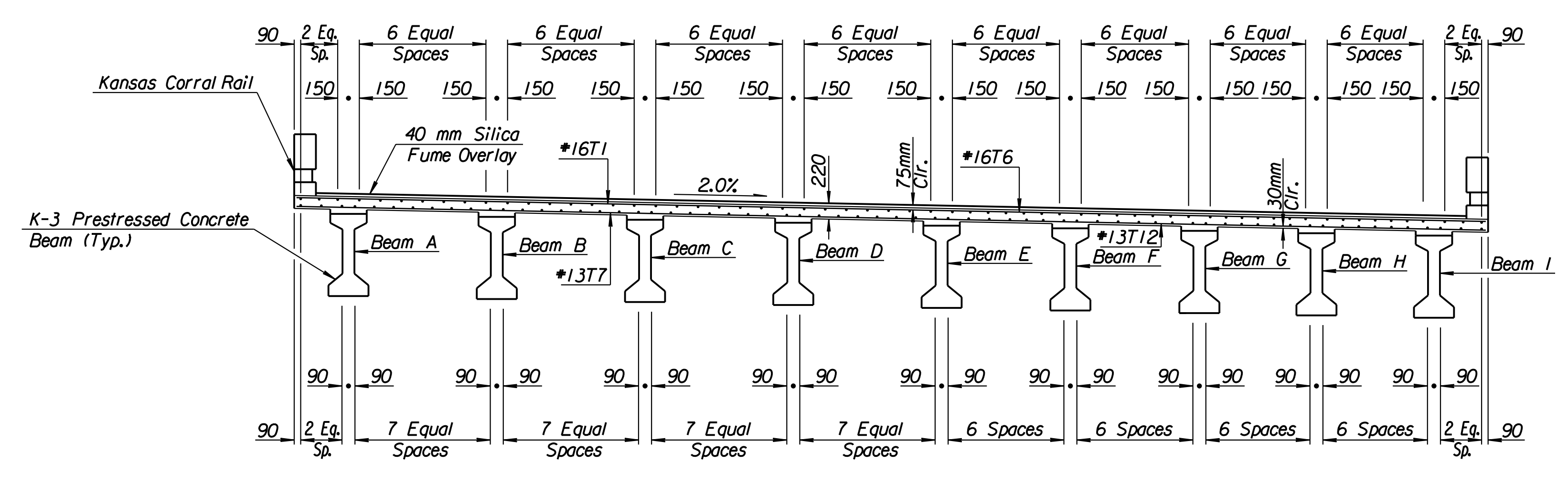
SECTION
(Near & Pier No. 3)



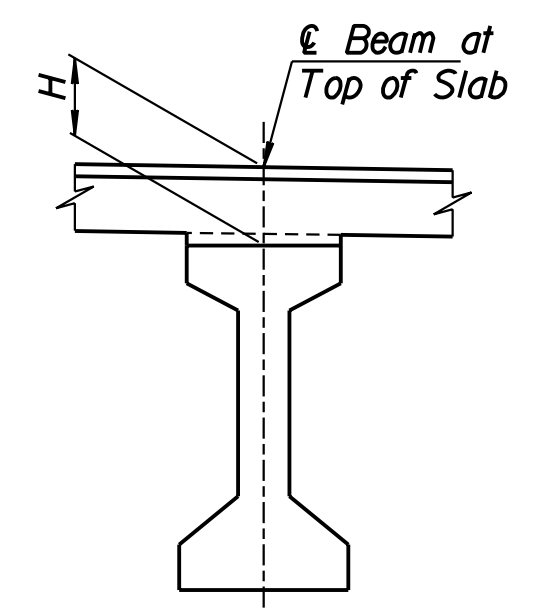
SECTION
(Near & Pier No. 4)



SECTION
(Center of Span 4)



SECTION
(Center of Span 5)



H = 280 mm at & Abutments and Piers

CONCRETE FILLET DETAIL

LEGEND:
S5 - ◉

Note:
All Dimensions are Perpendicular from & of Beam

RECORD DRAWING

CITY OF WICHITA BR. NO. 54-87-19,29(492) F.E.B. STA. 16+005.740			
TYPICAL SECTIONS			
EAST BOUND FRONTAGE ROAD OVER COWSKIN CREEK SEDGWICK COUNTY			
Professional Engineering Consultants, P.A.			
303 S. TOPEKA • WICHITA, KANSAS 67202 316-262-2691 • FAX 316-262-3003			
Designed by	RAS	Checked by	RAS
Drawn by	DRP	Date	April, 2002
		Job No.	97362

DSNR: RAS OPER: DRP SCALE: 200
 i:/1997/97362/As-Builts/dgn's/NoL_3/5h_555-TYPSECR.dgn Last Rev: 9-5-07 By: gdr