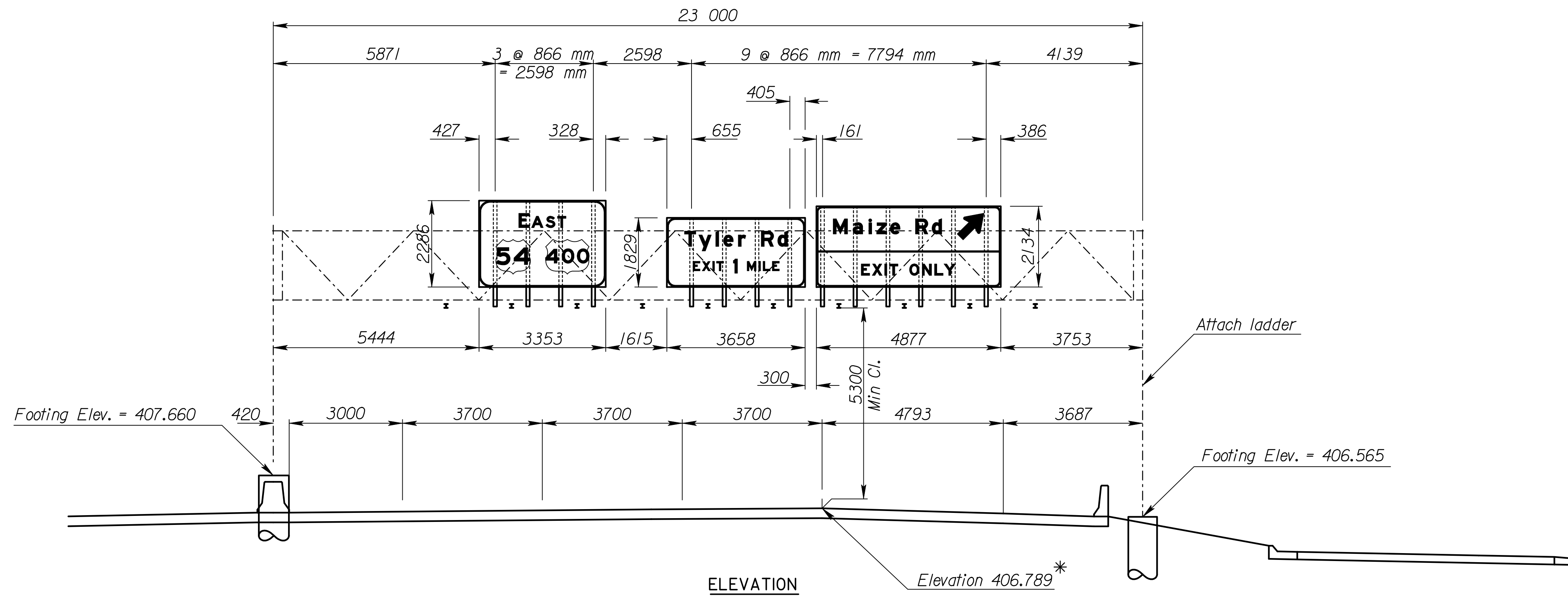
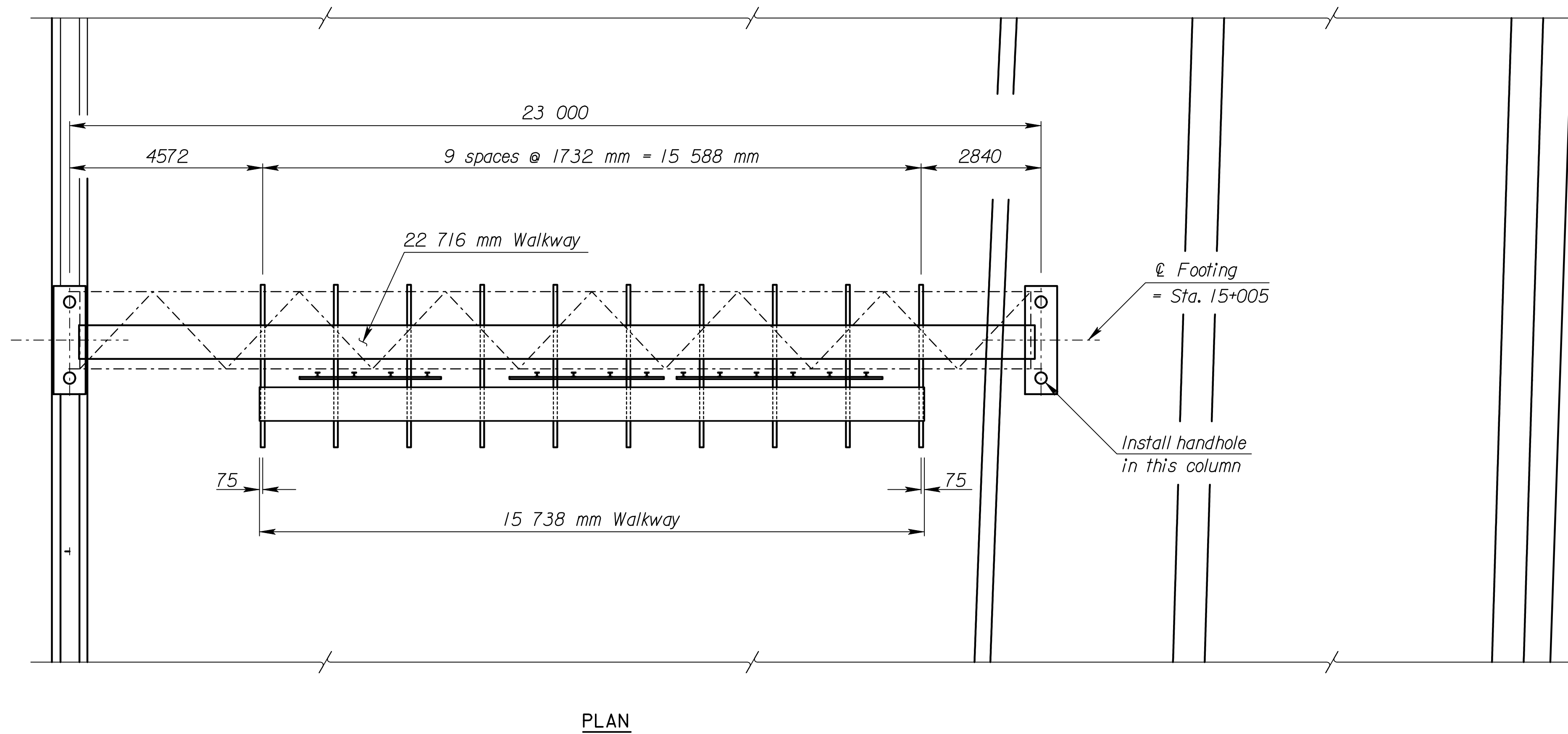


STATE	PROJECT NO.	YEAR	SHEET NO.	TOTAL SHEETS
KANSAS	54-87 K-6657-01	2002	749	1122



* Note: Use this point as a control point for all elevations.



STEEL NOT USED

		STEEL DETAILS			
TRUSS	Member 1 Wall Thickness				5.56
	Member 2 Wall Thickness				5.16
		N = 13	X = 242	S = 1732	Camber = 30
END SUPPORTS	Member 1 Wall Thickness				4.78
	Member 2 Wall Thickness				3.18
FOOTINGS	Left	N = 2	S = 2100	L = 6565	
	Right	N = 3	S = 1765	L = 7660	
		Left Type	B	Right Type	C

Scale 1:75

Scale = +/- 75.2
I:\1997\97362\As-Builts\dgn\5\Vol 4\Sh 749-KDOT STD-Sign-15+005.dgn Last Rev: 10-3-07 By: gdr

RECORD DRAWING

3					
2					
1					
NO.	DATE	REVISIONS	BY	APP'D	
KANSAS DEPARTMENT OF TRANSPORTATION					
EB US-54			STATION 15+005		
SPAN TYPE OVERHEAD SIGN STRUCTURE CONSTRUCTION LAYOUT STEEL ALTERNATE					
PROJ. NO. 54-87 K-6657-01			SEDGWICK CO.		
SHEET NO. 5 OF 44	SCALE	APP'D			
DESIGNED	SMB	DETAILED	SMB	QUANTITIES	CADD
DESIGN CK.	DETAIL CK.	QUAN. CK.	CADD CK.		