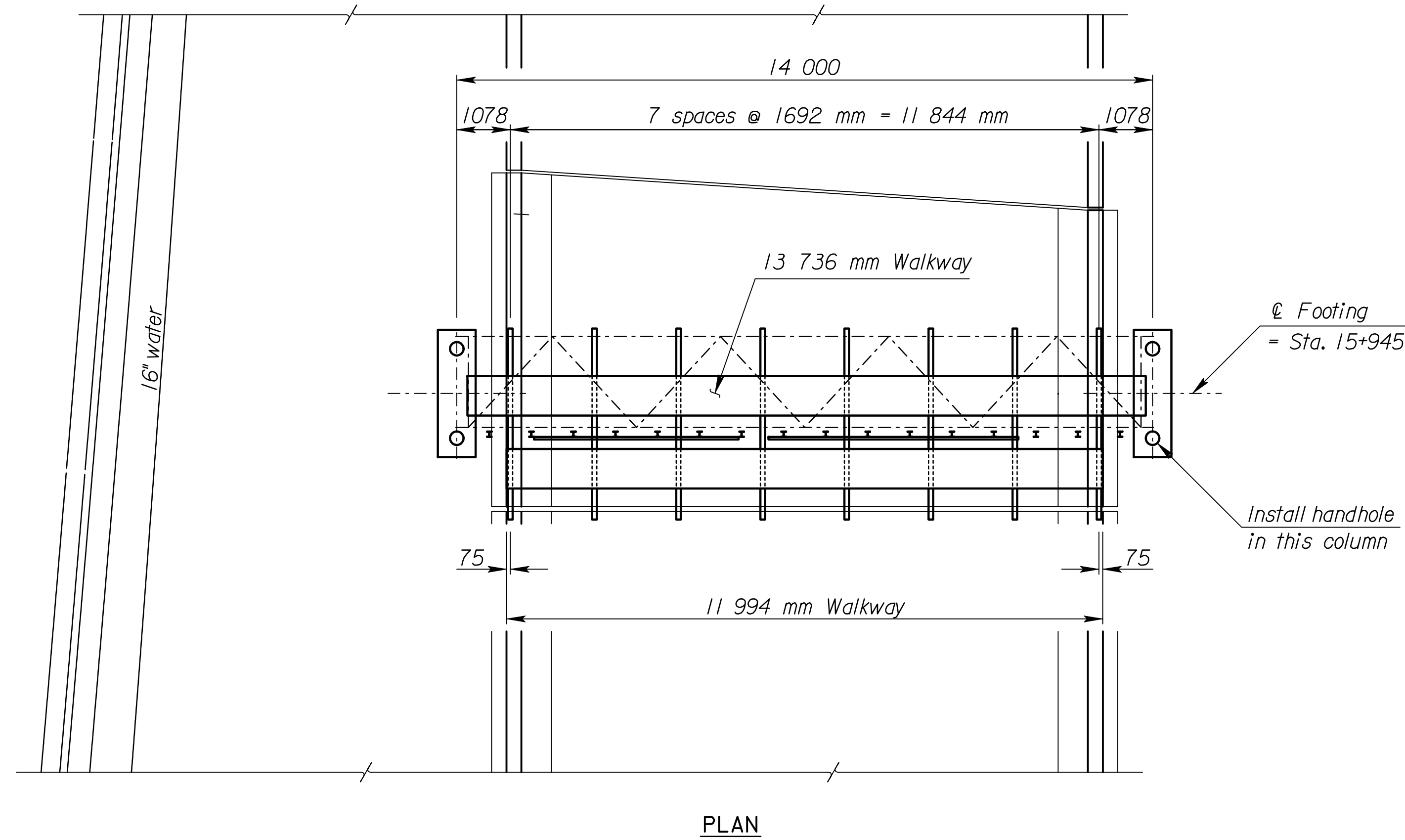


* Note: Use this point as a control point for all elevations.



STEEL NOT USED

STEEL DETAILS				
TRUSS	Member 1 Wall Thickness	4.78		
	Member 2 Wall Thickness	3.05		
	N = 8 X = 232 S = 1692 Camber = 16			
END SUPPORTS	Member 1 Wall Thickness	4.78		
	Member 2 Wall Thickness	3.18		
	Left N = 3 S = 1565 L = 7060			
	Right N = 3 S = 1665 L = 7360			
FOOTINGS	Left Type	A	Right Type	A

Scale 1:75

RECORD DRAWING

3					
2					
1					
NO.	DATE	REVISIONS	BY	APP'D	
KANSAS DEPARTMENT OF TRANSPORTATION EB US-54 Fr. Rd. Rt. STATION 15+945 SPAN TYPE OVERHEAD SIGN STRUCTURE CONSTRUCTION LAYOUT STEEL ALTERNATE					
PROJ. NO. 54-87 K-6657-01			SEDGWICK CO.		
SHEET NO. 9 OF 44	SCALE	APP'D			
DESIGNED	SMB	DETAILED	SMB	QUANTITIES	CADD
DESIGN CK.		DETAIL CK.		QUAN. CK.	CADD CK.