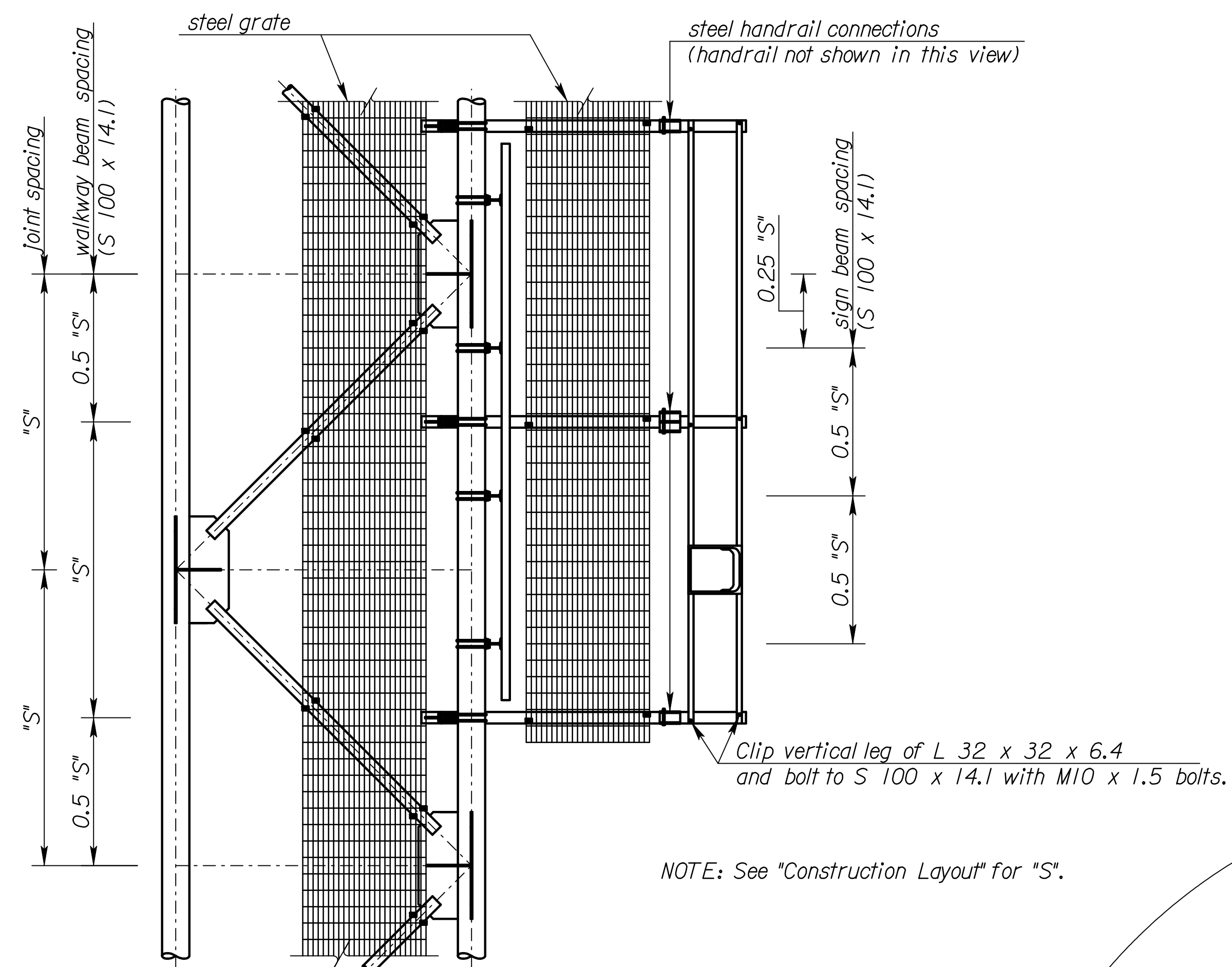
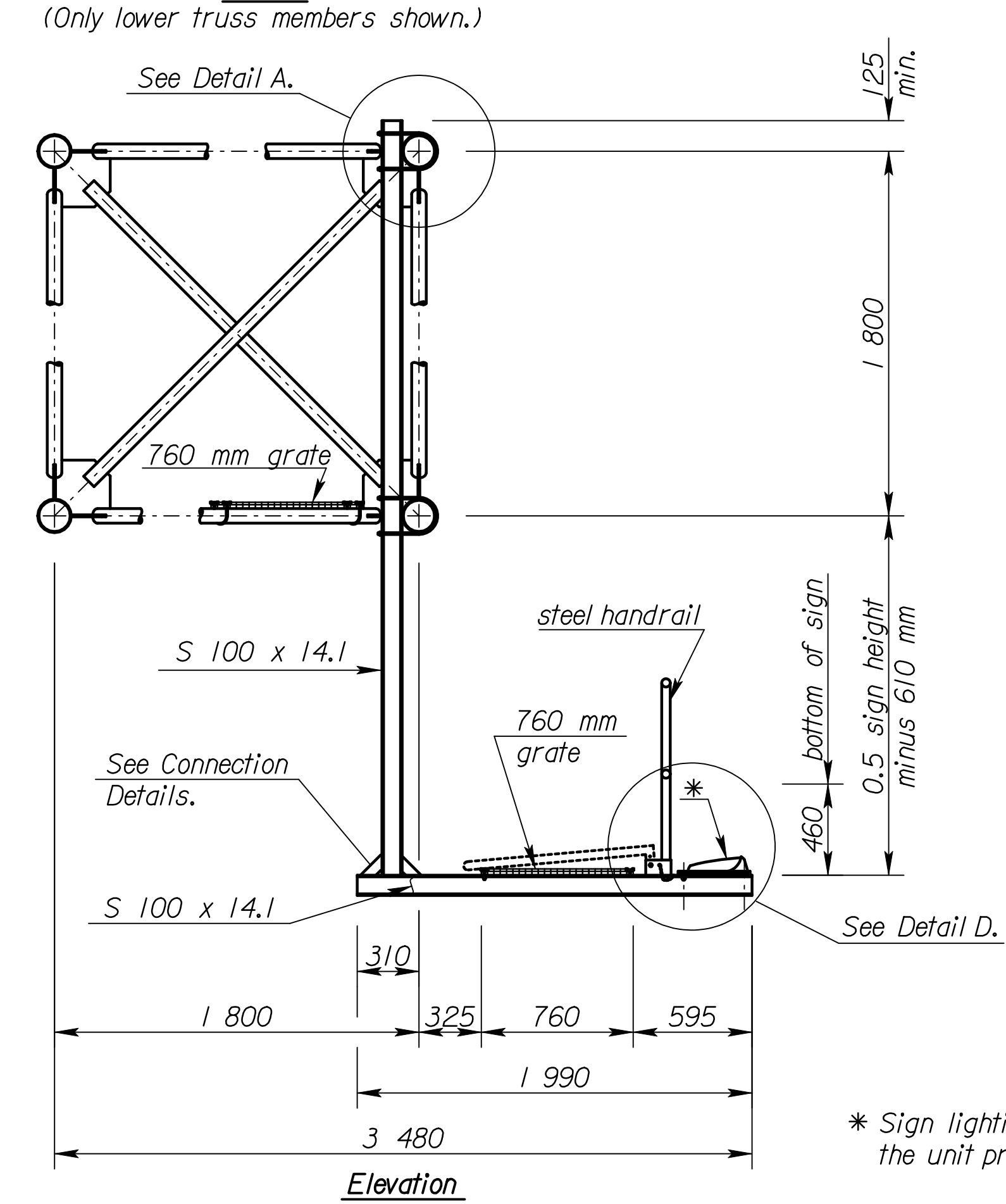


STATE	PROJECT NO.	YEAR	SHEET NO.	TOTAL SHEETS
KANSAS	554-87 K-6657-01	2002	788	1122



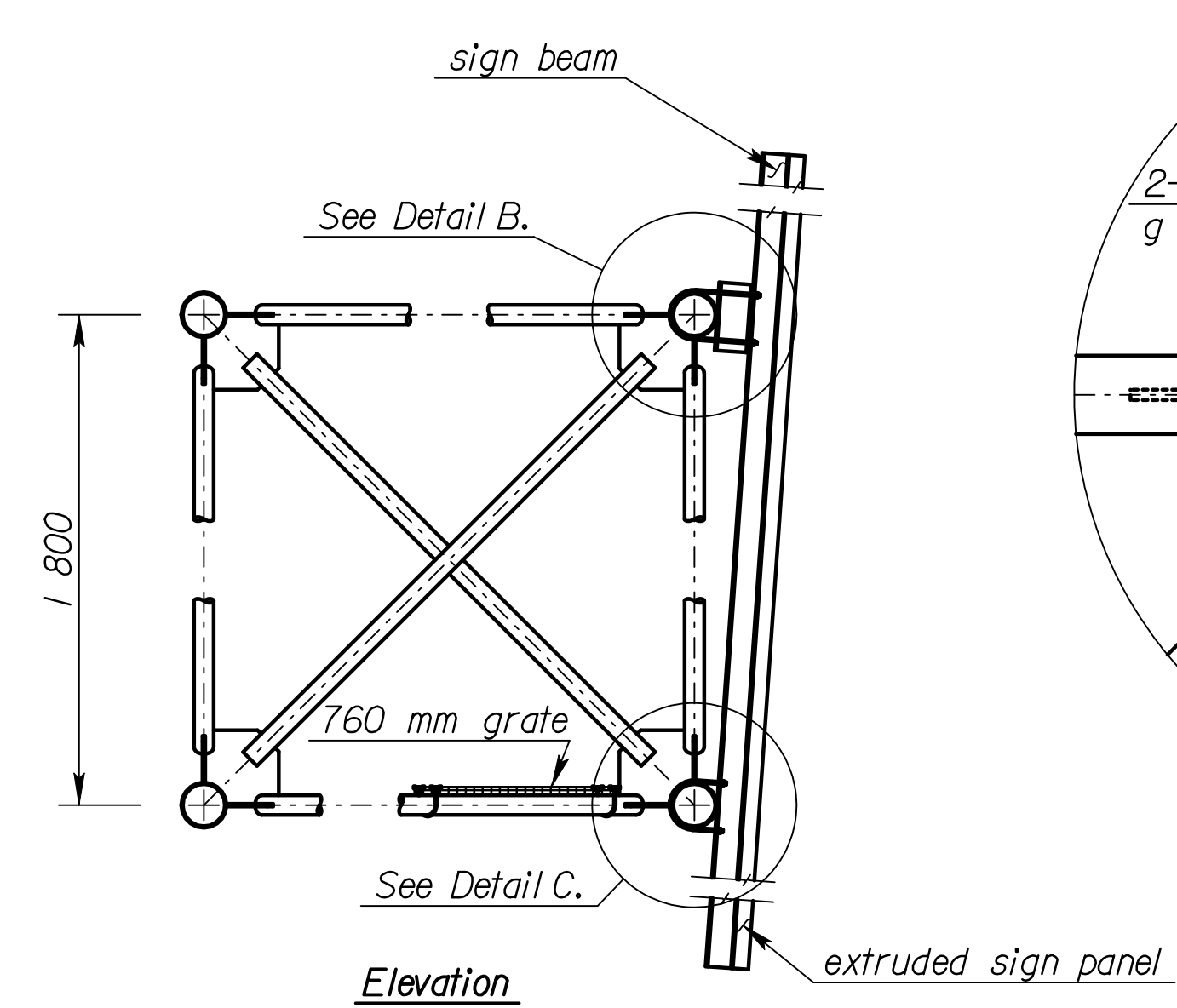
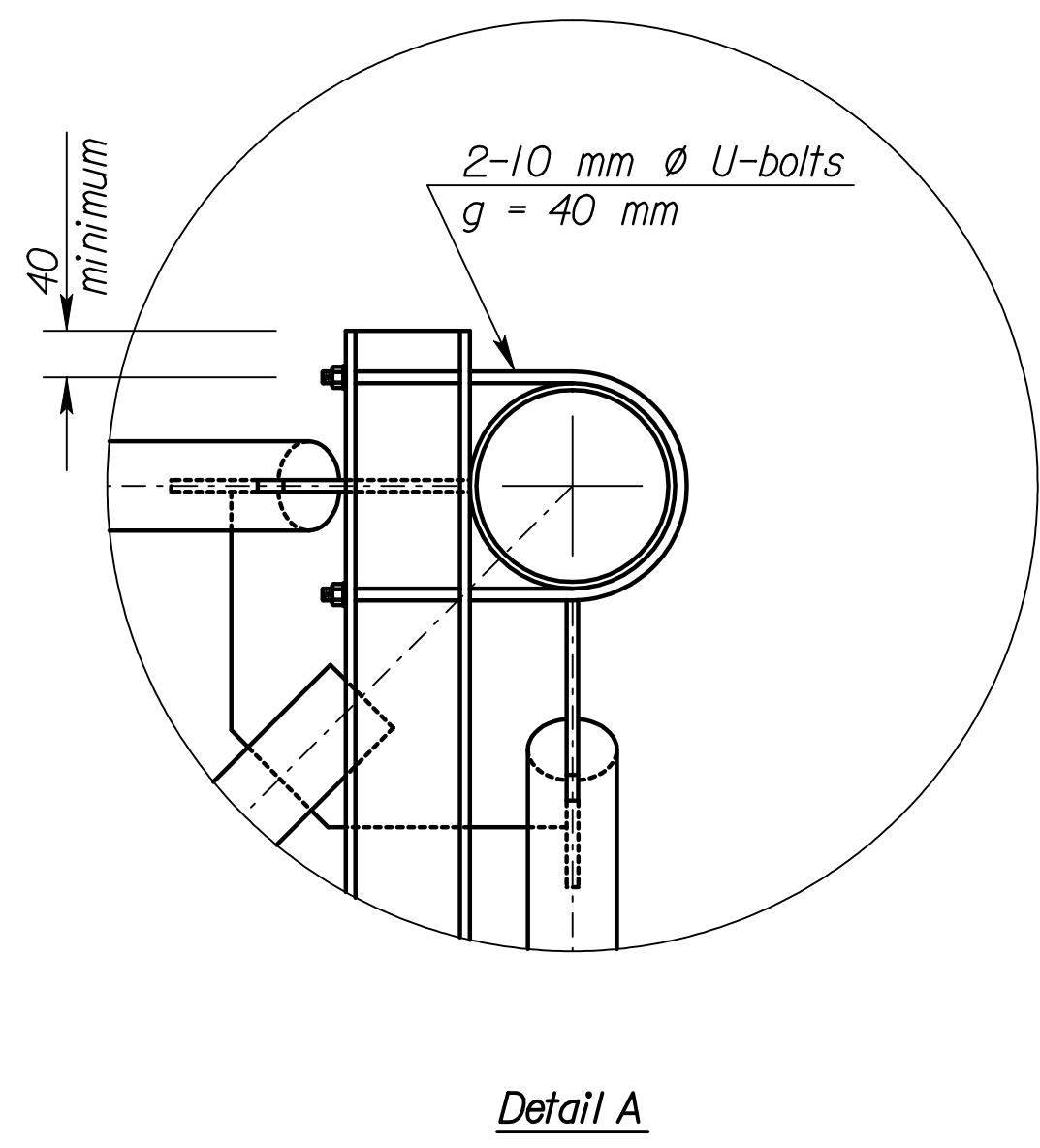
NOTE: See "Construction Layout" for "S".

PLAN
(Only lower truss members shown.)

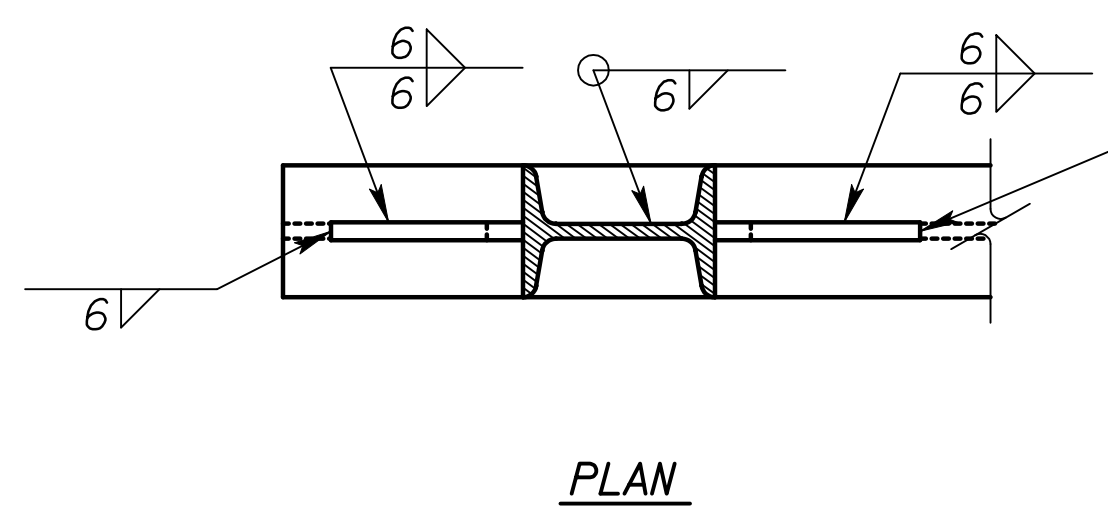
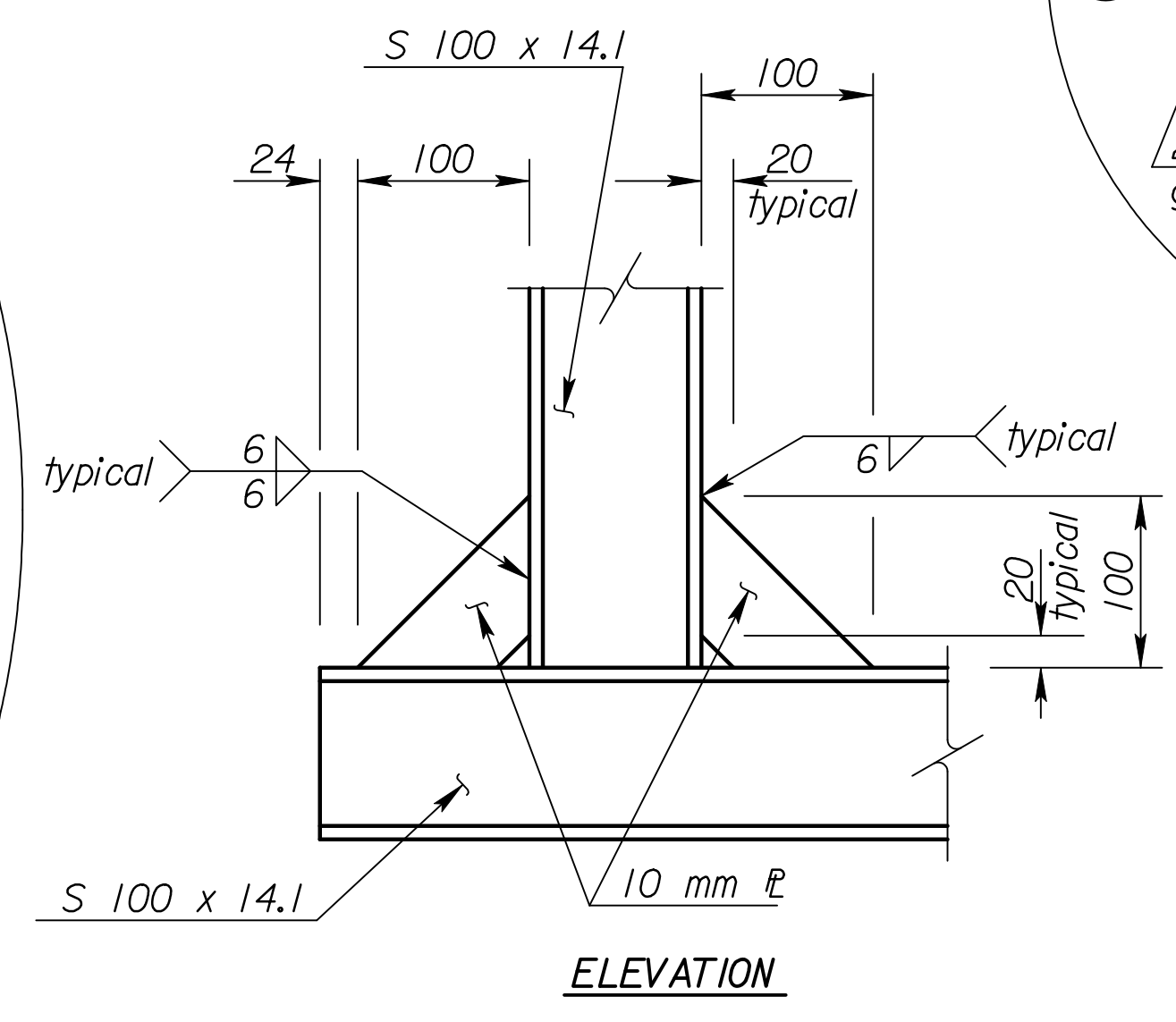
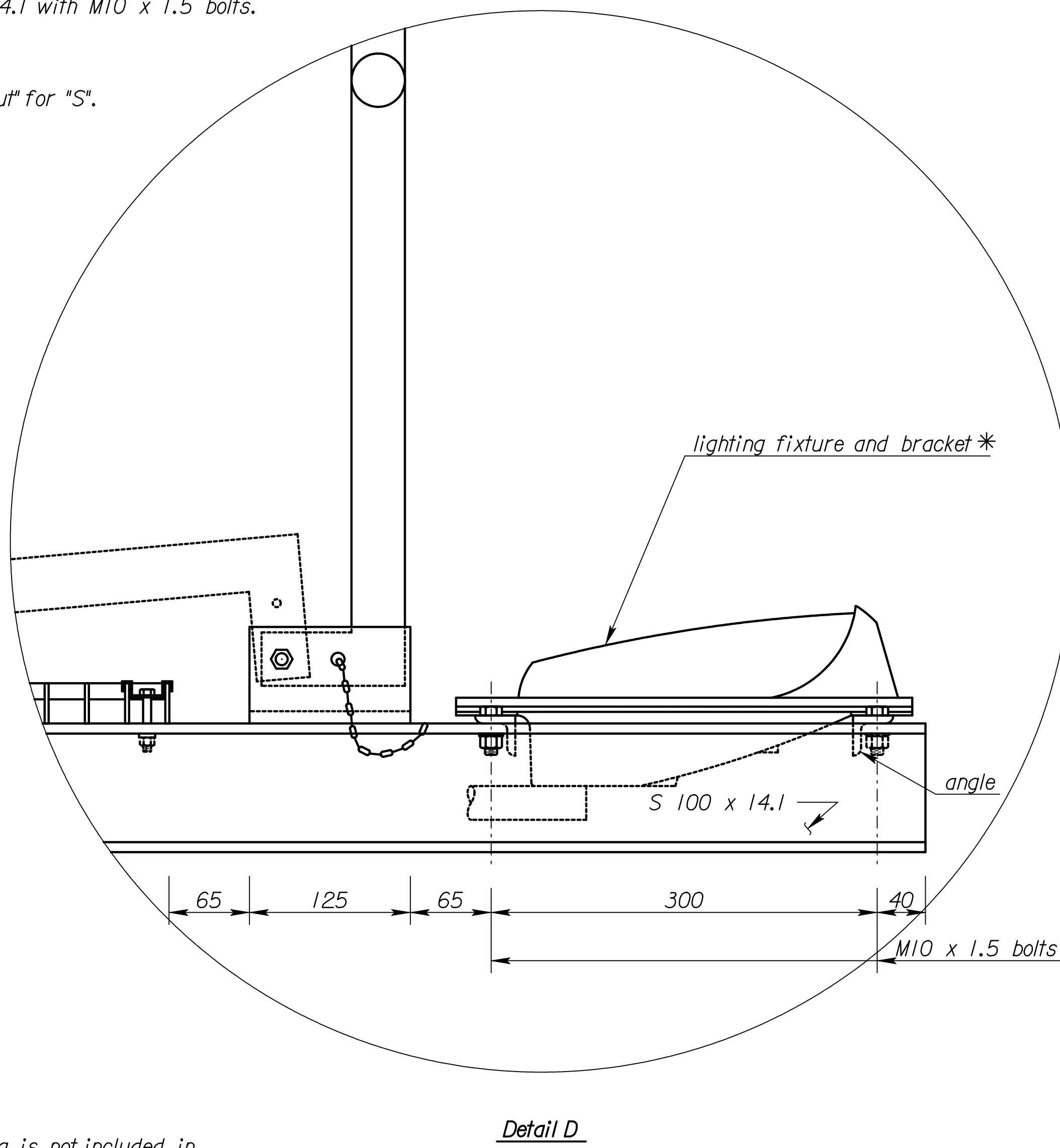
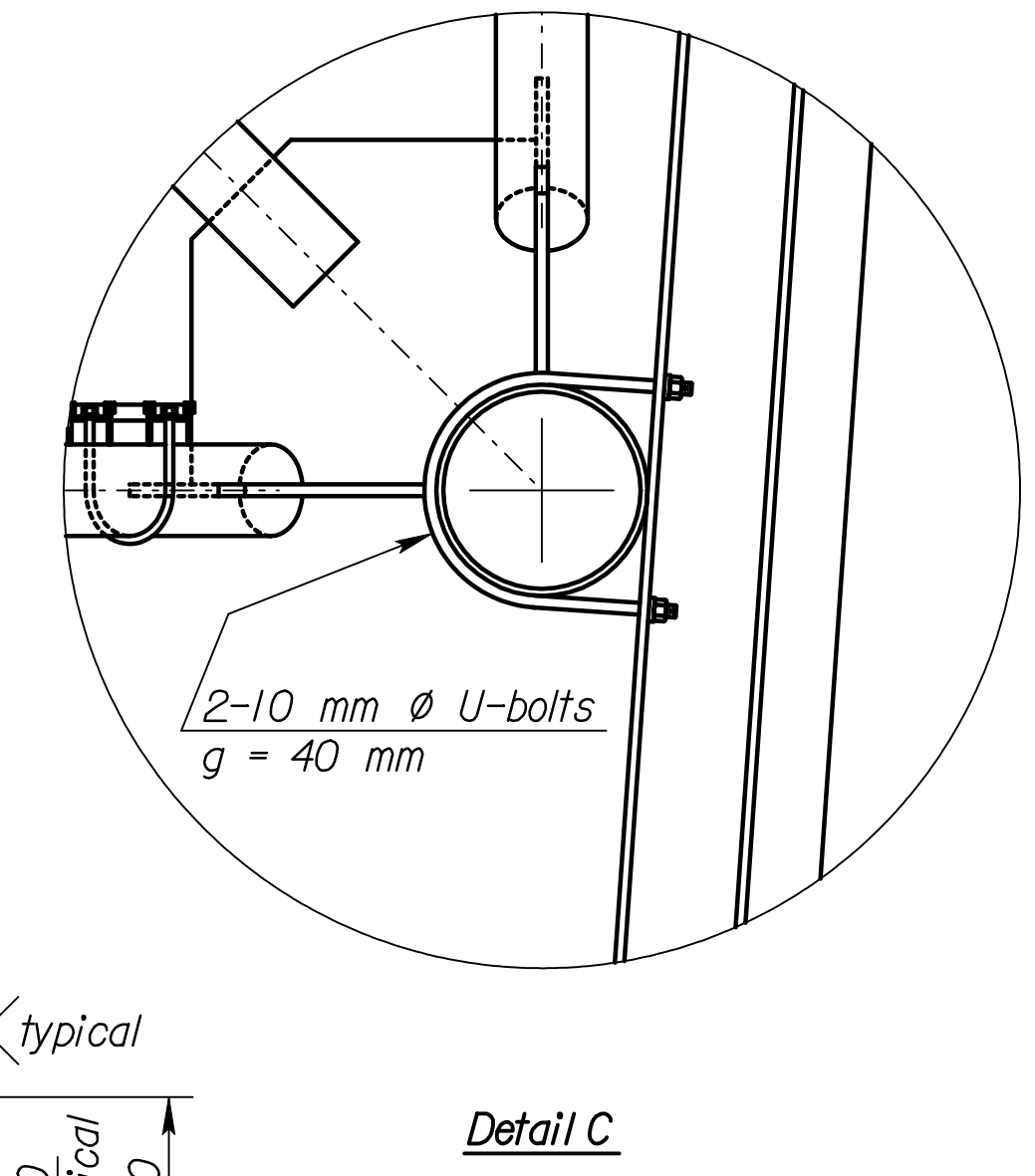
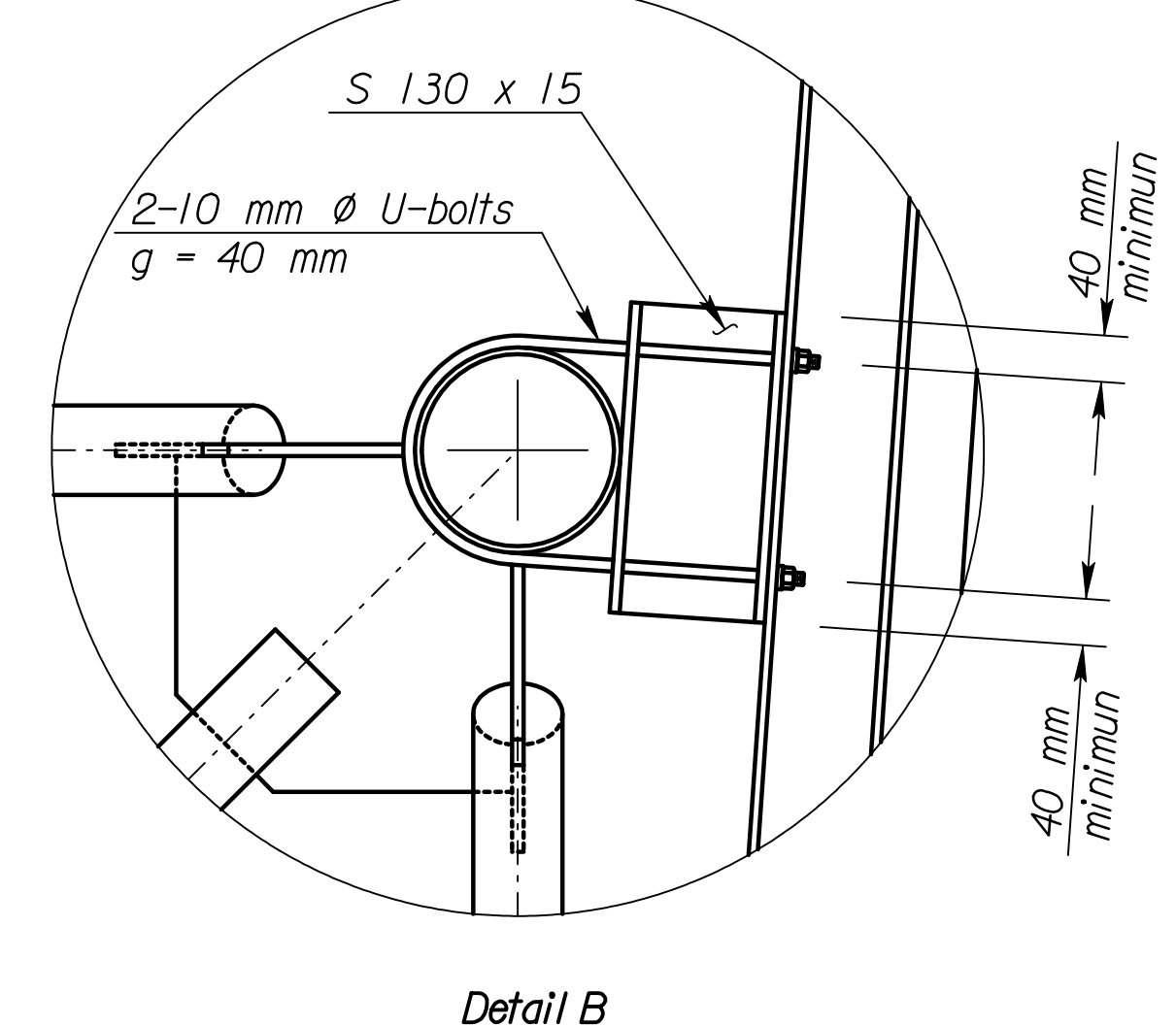


WALKWAY BEAM CONNECTION

* Sign lighting is not included in the unit price bid for each structure.



SIGN BEAM CONNECTION



CONNECTION DETAILS

RECORD DRAWING
STEEL NOT USED

NO.	DATE	REVISIONS	BY	APP'D
KANSAS DEPARTMENT OF TRANSPORTATION STANDARD STRUCTURAL SIGN SUPPORTS SPAN TYPE OVERHEAD STEEL ALTERNATE SPECIAL SIGN MOUNTING AND WALKWAY DETAILS SL15IC-II SI				
FHWA APPROVAL		4-10-97 APP'D	Kenneth F. Hurst	
DESIGNED	LES	DETAILED	ERK	QUANTITIES
DESIGN CK.	BR	DETAIL CK.	BR	QUAN. CK.
			CADD	DJE
			CADD	LES

Scale = 1/8" = 1'-0"
1/1997/97362/As-Builts.dgn/Vol 4/SH 788-KDOT STD-Sign-15/csi.dgn Last Rev: 10-4-07 Bjs: gdr