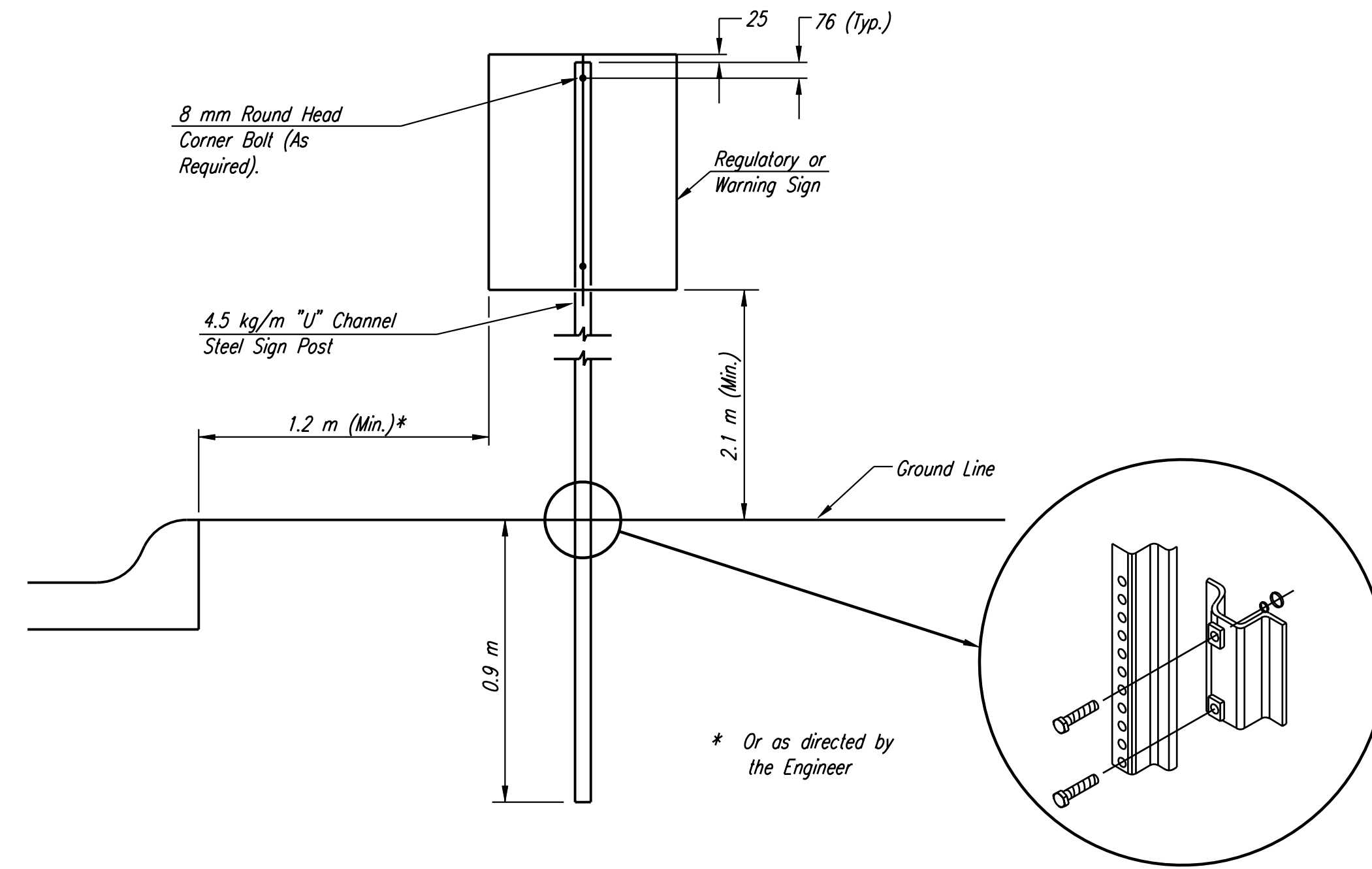


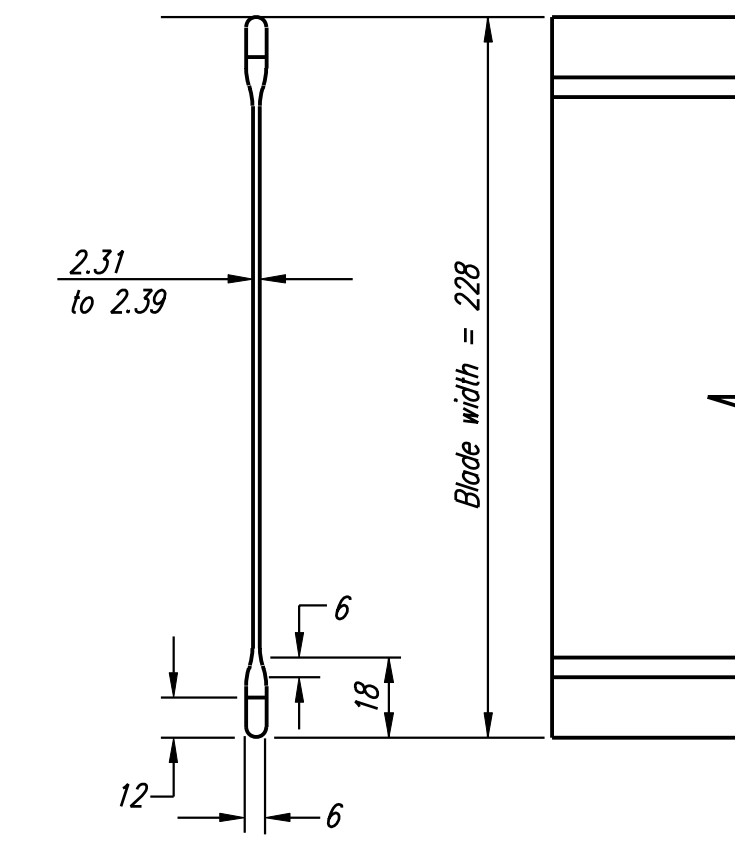
DATE	
BY	
REFERENCES NOTED	
REFERENCES CHECKED	



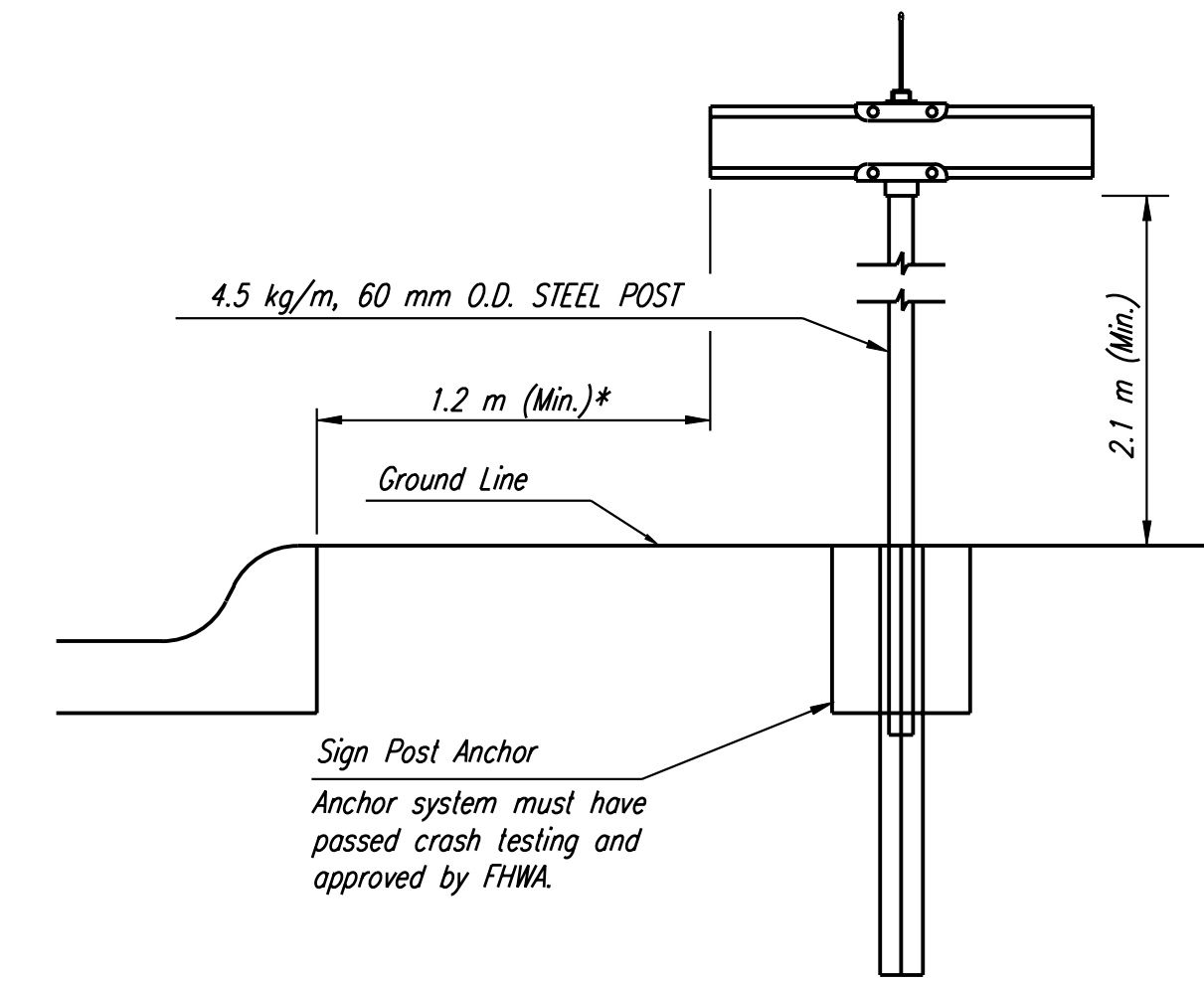
TYPICAL U-POST SIGN MOUNTING INSTALLATION  
CURB AND GUTTER SECTION

**NOTES:**

11. Install U-Stub Post in front of U-Sign Post with "Spacer", such as an "EZE-Erect" sign post strap. See Field Order Request No. 36 (5-14-03).
12. Install U-Stub Post a maximum of 100 mm above ground line.



STREET NAME SIGN  
BLADE DETAILS



TYPICAL STREET NAME SIGN MOUNTING INSTALLATION  
CURB AND GUTTER SECTION

NOTE: REFERENCES BELOW TO "STANDARD SPECIFICATIONS" DENOTE "STANDARD SPECIFICATION FOR STATE ROAD AND BRIDGE CONSTRUCTION EDITION 1990" BY THE KANSAS DEPARTMENT OF TRANSPORTATION.

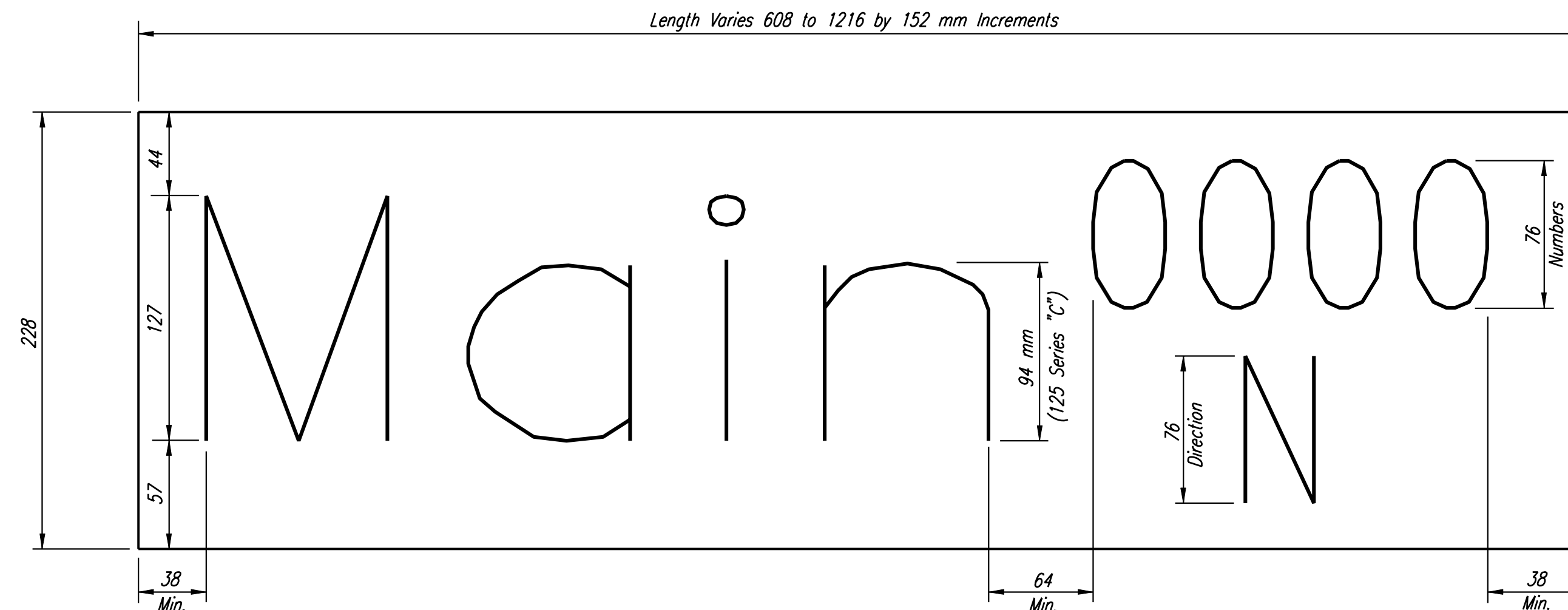
1. POST ANCHORS: POSTS SHALL BE ANCHORED WITH A YIELDING BASE POST SUPPORT AS DETAILED.
2. POSTS FOR TRAFFIC CONTROL SIGNS: POSTS SHALL CONFORM TO THE REQUIREMENTS OF SUBSECTION 1620 OF THE STANDARD SPECIFICATIONS EXCEPT THAT ALL POSTS SHALL WEIGH 4.5 kg/m MINIMUM.
3. POSTS FOR REFERENCE MARKERS: POSTS SHALL CONFORM TO THE REQUIREMENTS OF SUBSECTION 1620 OF THE STANDARD SPECIFICATIONS EXCEPT THAT ALL POSTS SHALL WEIGH 3.0 kg/m MINIMUM.
4. POSTS FOR STREET NAME SIGNS (SNS): POSTS SHALL BE 2.7 m LONG, CONSTRUCTED FROM 60 mm O.D. GALVANIZED STEEL PIPE WEIGHING A MINIMUM OF 4.5 kg/m. POSTS SHALL BE POSITIONED SO THAT THE BOTTOM BLADE IS 2.1 m ABOVE GRADE.
5. SIGN BLADES FOR STREET NAME SIGNS: EXTRUDED ALUMINUM BLADES SHALL BE ALUMINUM ALLOY CONFORMING TO 6063-T6 OR 5052-H38 (ASTM SPECIFICATION B221, LATEST ISSUE). BLADES SHALL HAVE AN ALODINE OR PHOSPHATE ETCHED FINISH. BLADES SHALL HAVE SQUARE CORNERS AND NO HOLES.

BLADES BEARING THE STREET NAMES SHALL BE FIRMLY ATTACHED TO THE MOUNTING BRACKETS USING ALLEN-TYPE SET SCREWS. THE BLADES SHALL BE ORIENTED PARALLEL TO THE STREET.

6. MOUNTING BRACKETS FOR SIGNS: DIE-CAST ALUMINUM BRACKETS SHALL BE ALUMINUM ALLOY 360 HAVING A TENSILE STRENGTH OF 300,000 kPa. THE BRACKETS SHALL BE SMOOTHLY FINISHED FREE OF PITS, BURRS, AND FLAWS. EACH BRACKET SHALL BE TAPPED AND DRILLED FOR 8 mm ZINC-PLATED ALLEN-TYPE SET SCREWS HAVING SELF-LOCKING SAW-TOOTH ENDS.
7. FASTENERS: ALL STEEL FASTENERS FOR TRAFFIC CONTROL SIGNS SHALL BE GALVANIZED AND SHALL CONFORM TO THE REQUIREMENTS OF SUBSECTION 1614 OF THE STANDARD SPECIFICATIONS.
8. REFLECTIVE SHEETING: REFLECTIVE SHEETING SHALL BE TYPE II - HIGH PERFORMANCE CLASS HA IN ACCORDANCE WITH SUBSECTION 2201 OF THE STANDARD SPECIFICATIONS.

THE REFLECTIVE SHEETING FOR THE METRO SIZE SNS IS TO BE THE HIGHWAY GREEN BACKGROUND WITH SILVER-WHITE #2 COPY WITH 127 mm UPPER CASE AND LOWER CASE PRIMARY COPY AND SUFFIX COPY, BOTH SERIES "C". THE CARDINAL DIRECTION CENTERED DIRECTLY BELOW THE BLOCK NUMBER SHALL BE AN UPPER CASE, 76 mm SERIES "C" LETTER. FACES TO TRIM TO A 216 mm WIDTH. (SEE DETAIL A.)

9. PROCESS INK: ALL PROCESS INK SHALL CONFORM TO THE REQUIREMENTS OF SUBSECTION 2202 OF THE STANDARD SPECIFICATIONS.
10. SHOP DRAWINGS OF LAYOUT FOR STREET NAME SIGN SHALL BE SUBMITTED TO THE ENGINEER FOR APPROVAL PRIOR TO FABRICATION. THE FINISHED SIGNS SHALL BE OF GOOD APPEARANCE, FREE FROM RAGGED EDGES, CRACKS, SCALES OR BLISTERS AND SHALL BE CLEAN-CUT. SIGNS SHALL BE PACKED IN SUCH MANNER AS TO PREVENT DAMAGE OR DEFACEMENT DURING SHIPMENT OR STORAGE.



DETAIL A  
METRO

STREET NAME SIGNS						
E-W STREETS			N-S STREETS			QUANTITY
NAME	NUMBER	LENGTH	NAME	NUMBER	LENGTH	
Kellogg Dr.	11100W	1216	111th St.	1500S	914	2
Kellogg Dr.	10700W	1216	Lark Ln.	1500S	1067	1
Kellogg Dr.	10300W	1216	Moize	1500S	1067	2
Kellogg Dr.	9600W	1216	Seville	1400S	1067	1
Kellogg Dr.	9500W	1216	Seville	1300S	1067	1
Kellogg Dr.	8700W	1216	Tyler	1300S	914	1
Kellogg Dr.	8700W	1216	Tyler	1200S	914	1
Kellogg Dr.	8500W	1216	Irving	1100S	914	1
Kellogg Dr.	8300W	1216	McCormick	900S	1216	1
Kellogg Dr.	8300W	1216	Reco	900S	762	1
Kellogg Dr.	7900W	1216	Woodchuck	900S	1216	2
Kellogg Dr.	7700W	1216	Holland	900S	1067	1
TOTAL						15

RECORD DRAWING

CITY OF WICHITA			
U-POST & STREET NAME SIGN DETAILS			
SEDGWICK COUNTY			
Professional Engineering Consultants, P.A.			
303 S. TOPEKA • WICHITA, KANSAS 67202			
316-262-2691 • FAX 316-262-3003			
Designed by	RPG	Checked by	WDH
Drawn by	SVB	Date	Apr 11, 2002
		Job No.	97362