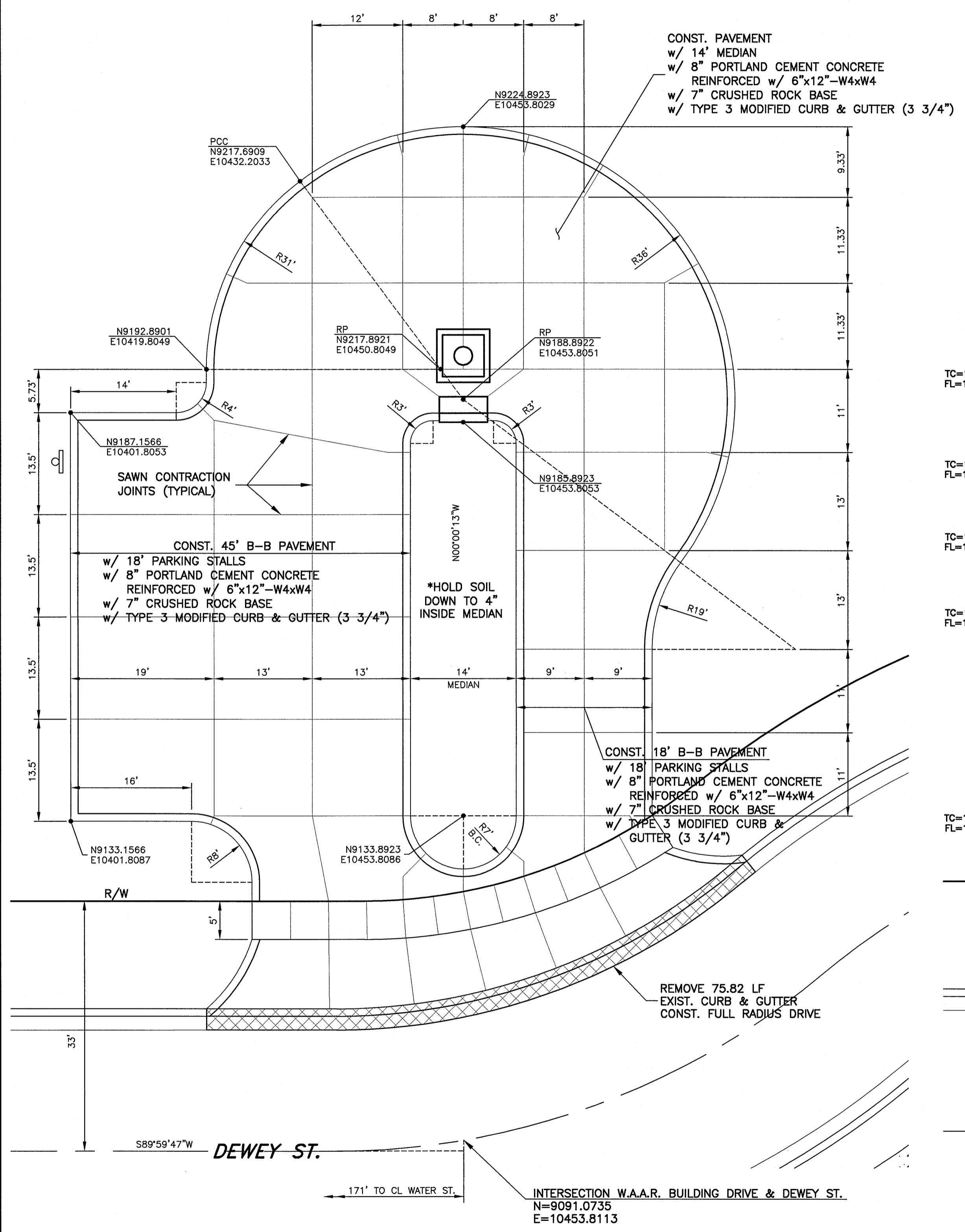
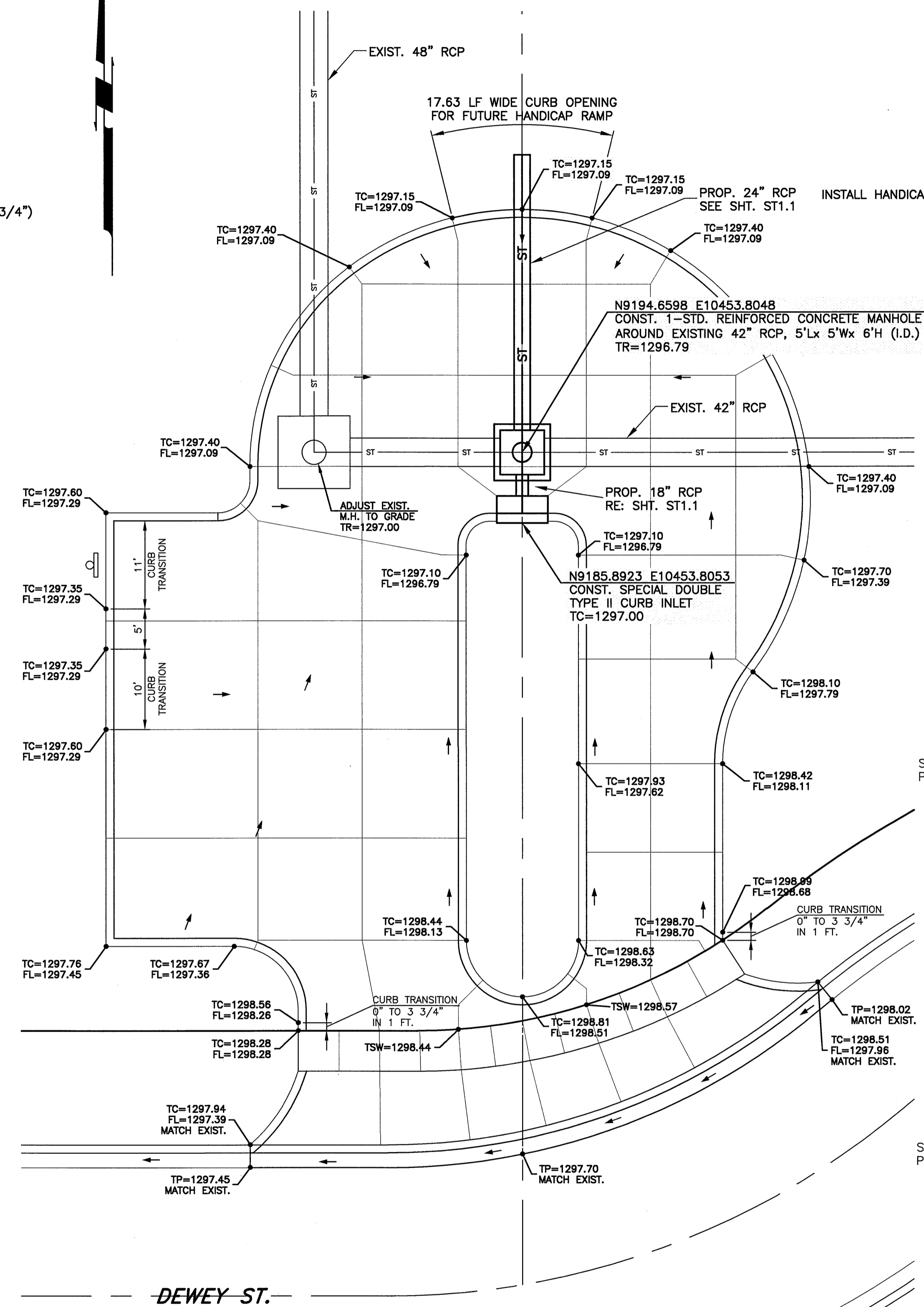




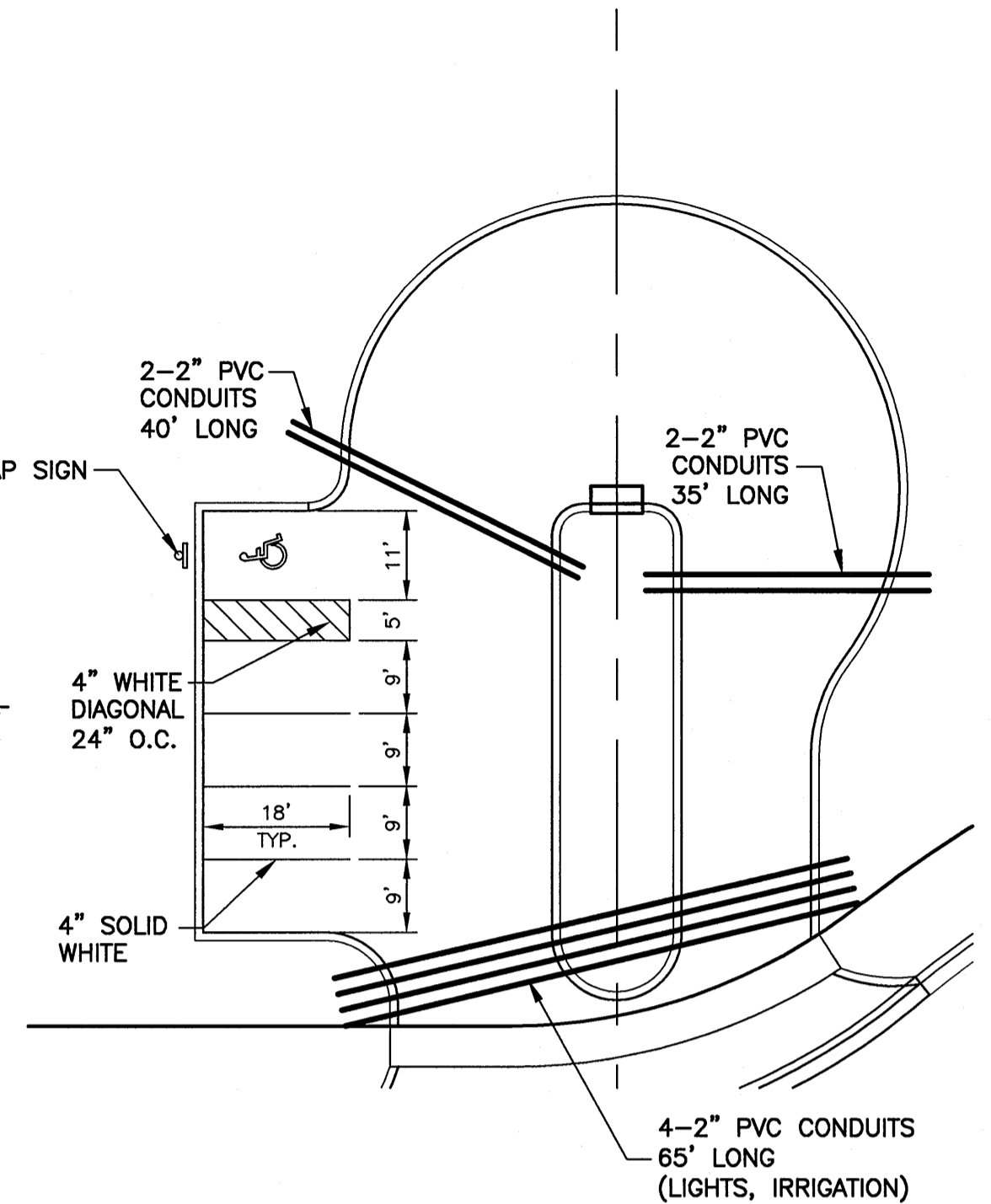
PUBLIC IMPROVEMENTS PHASE 2 PACKAGE 3



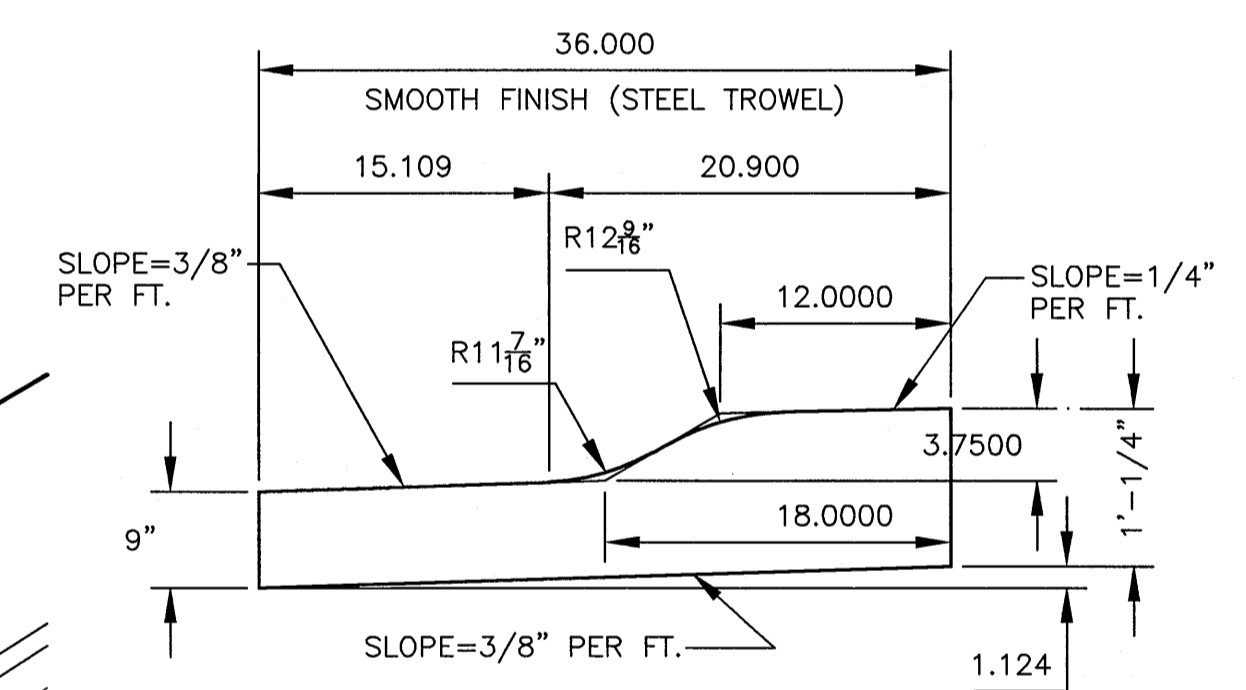
GENERAL LAYOUT
SCALE: 1" = 10'



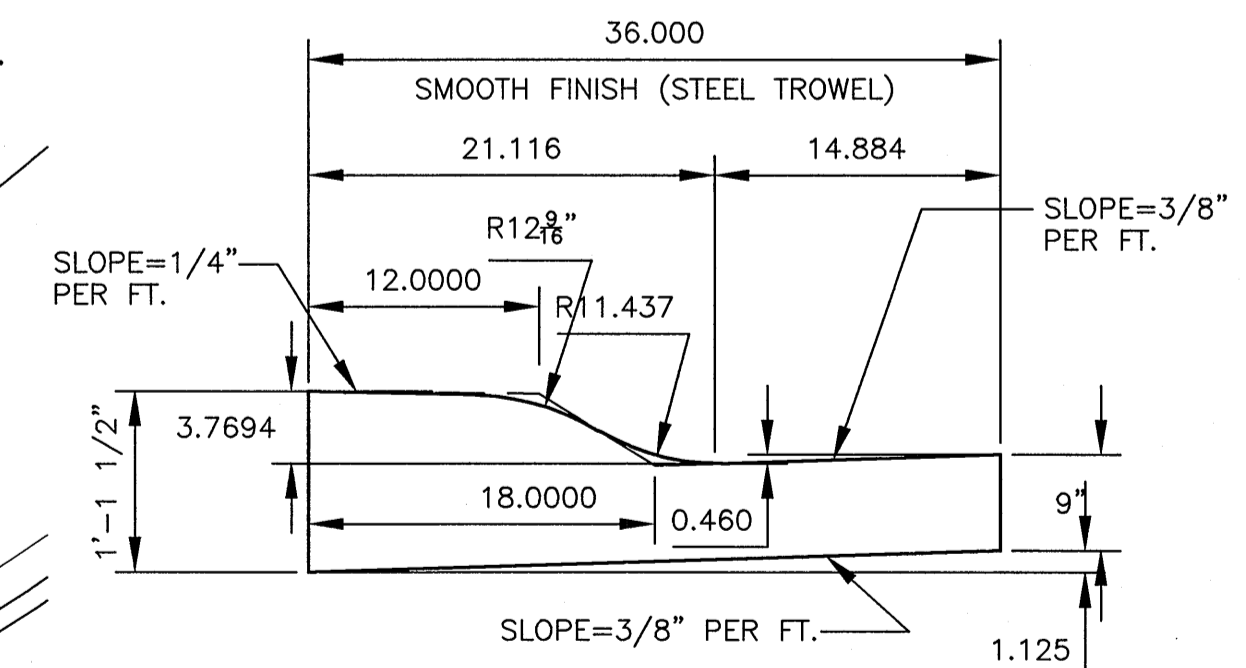
GRADING PLAN
SCALE: 1" = 10'



STRIPING PLAN
SCALE: 1" = 20'



Type 3 - Modified Combined Curb & Gutter (3 3/4") PAVEMENT SLOPING AWAY FROM CURB



Type 3 - Modified Combined Curb & Gutter (3 3/4") PAVEMENT SLOPING TOWARD CURB

GENERAL NOTES

FABRIC BASE REINFORCEMENT SHALL BE B X 1100 GEOGRID AS MANUFACTURED BY TENSAR CORPORATION OR APPROVED EQUAL. FABRIC BASE REINFORCEMENT SHALL BE INSTALLED IN ACCORDANCE WITH MANUFACTURER'S RECOMMENDATIONS. CRUSHED ROCK SHALL BE AS SPECIFIED IN SECTION 404 OF THE CITY OF WICHITA STANDARD SPECIFICATIONS.

ROCK BASE IS TO BE COMPACTED AND SMOOTHED WITH A STEEL FACED ROLLER PRIOR TO PLACEMENT OF CONCRETE. TACK COAT WILL NOT BE APPLIED TO ROCK BASE.

Mark	Date	Description
	12/17/07	BID SET
	4/25/07	FIELD CHECK SET

W.A.A.R. BUILDING DRIVE

Job No.	P.1.1
Date	12-17-07
Drawn	B.C.
Checked	P.B.
Drawn	1
Checked	10 of 44