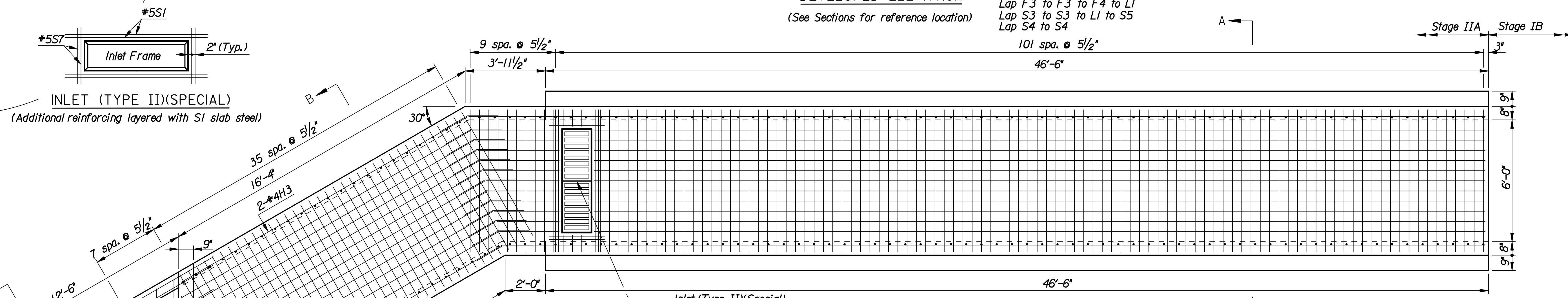
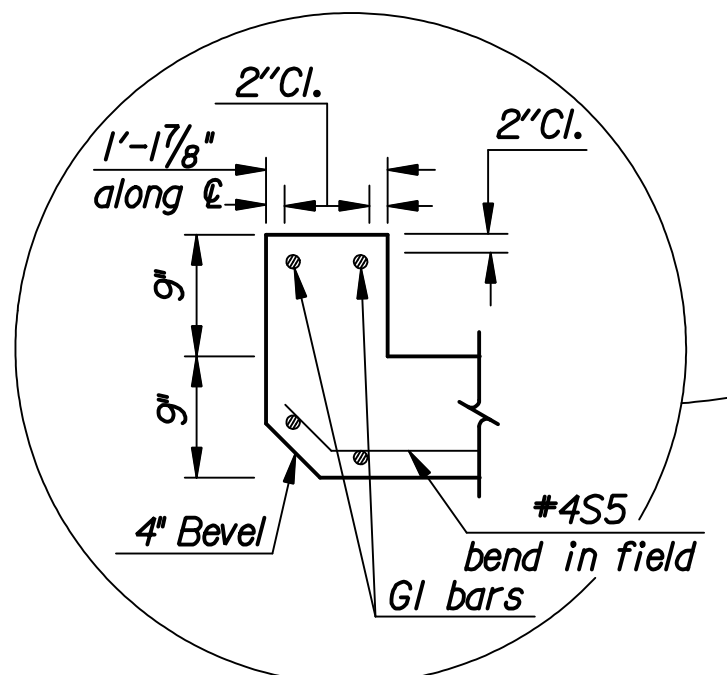
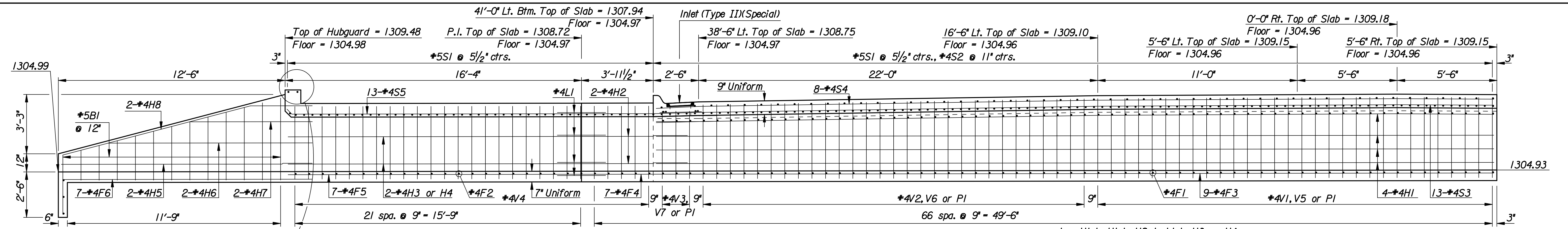


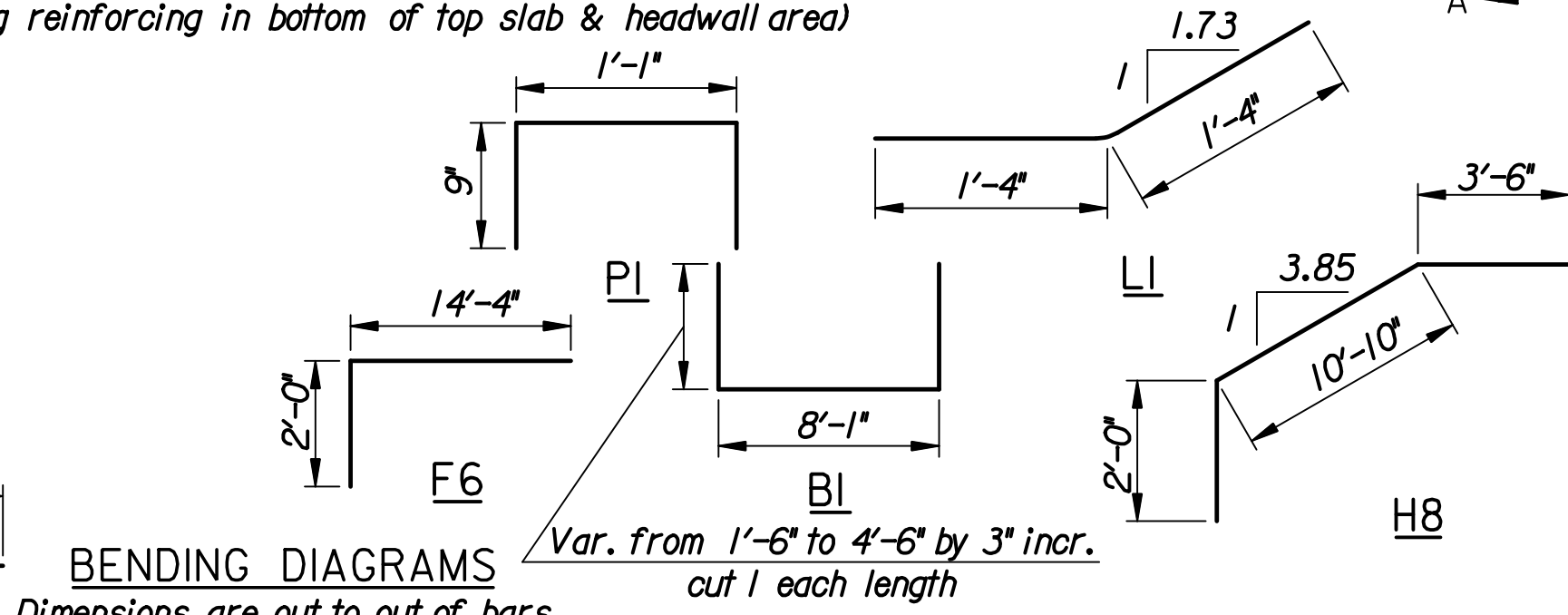
DSNR: RAS OPER: GRP SCALE: I:/2006/06655/BRIDGE/RCB/0655-000\_C-RCBSTAGEIIA.DGN LAST REV: 12-11-2007 BY: DRP



Mark	A	B	C	D
F5	16'-3"	18'-3"	4"	1
F7	1'-8"	5'-8"	1'-4"	1
S5	16'-3"	18'-3"	2"	1
S6	1'-6"	6'-0"	9"	1
V2	4'-1"	4'-4"	1/8"	2
V6	3'-2"	3'-5"	1/8"	2

Mark Varies from (A) to (B) by (C) incr. cut (D) each length

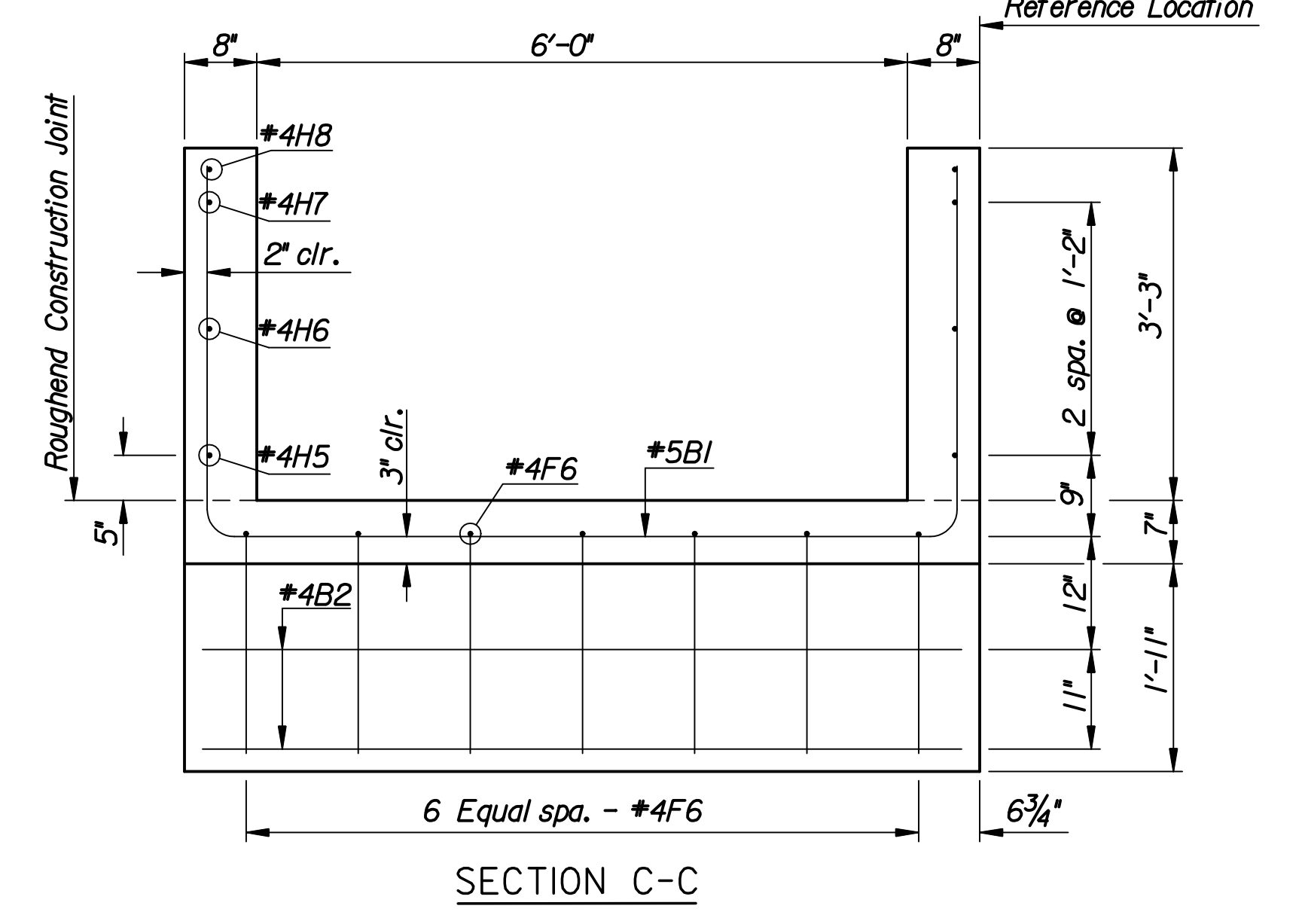
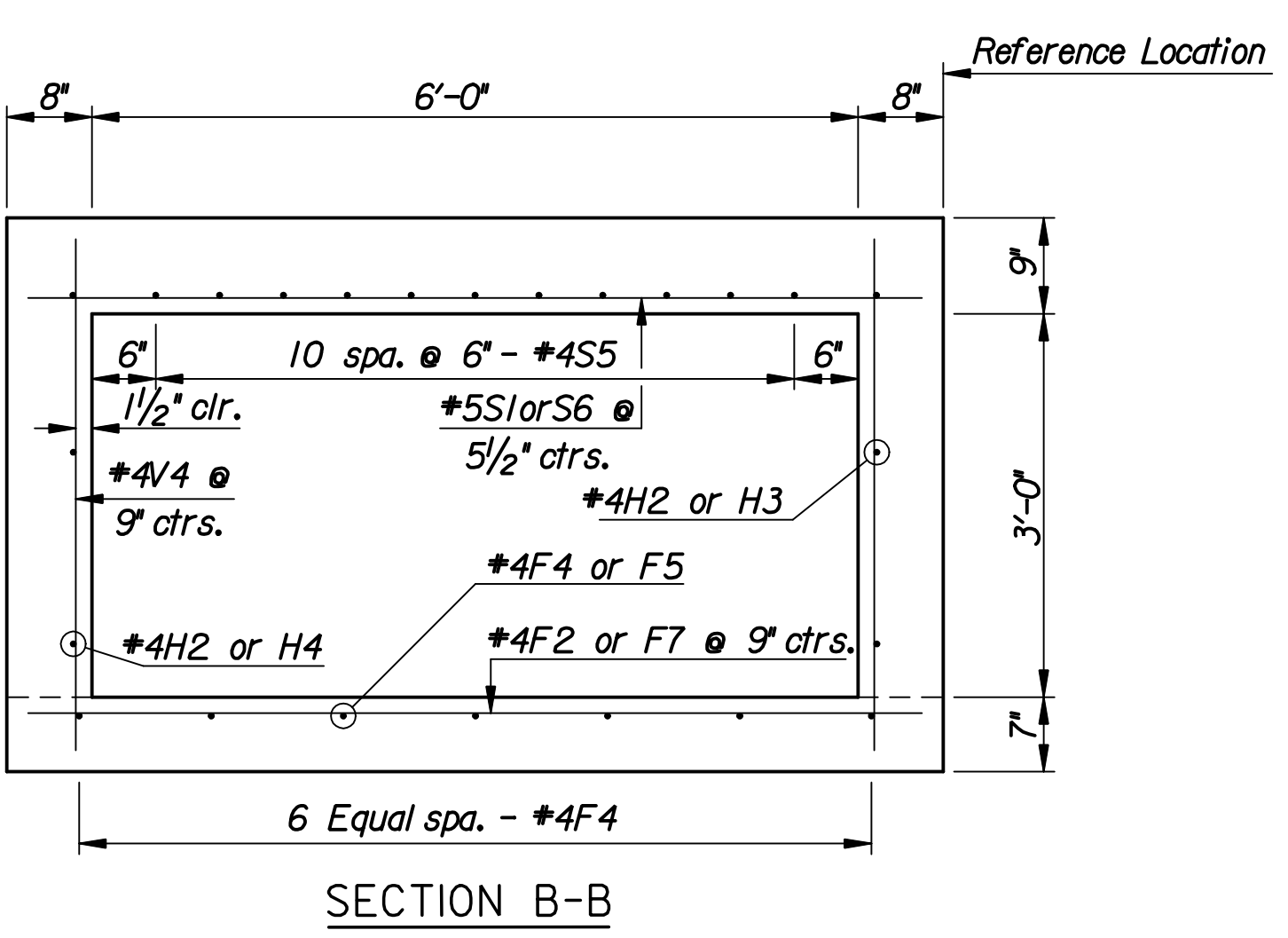
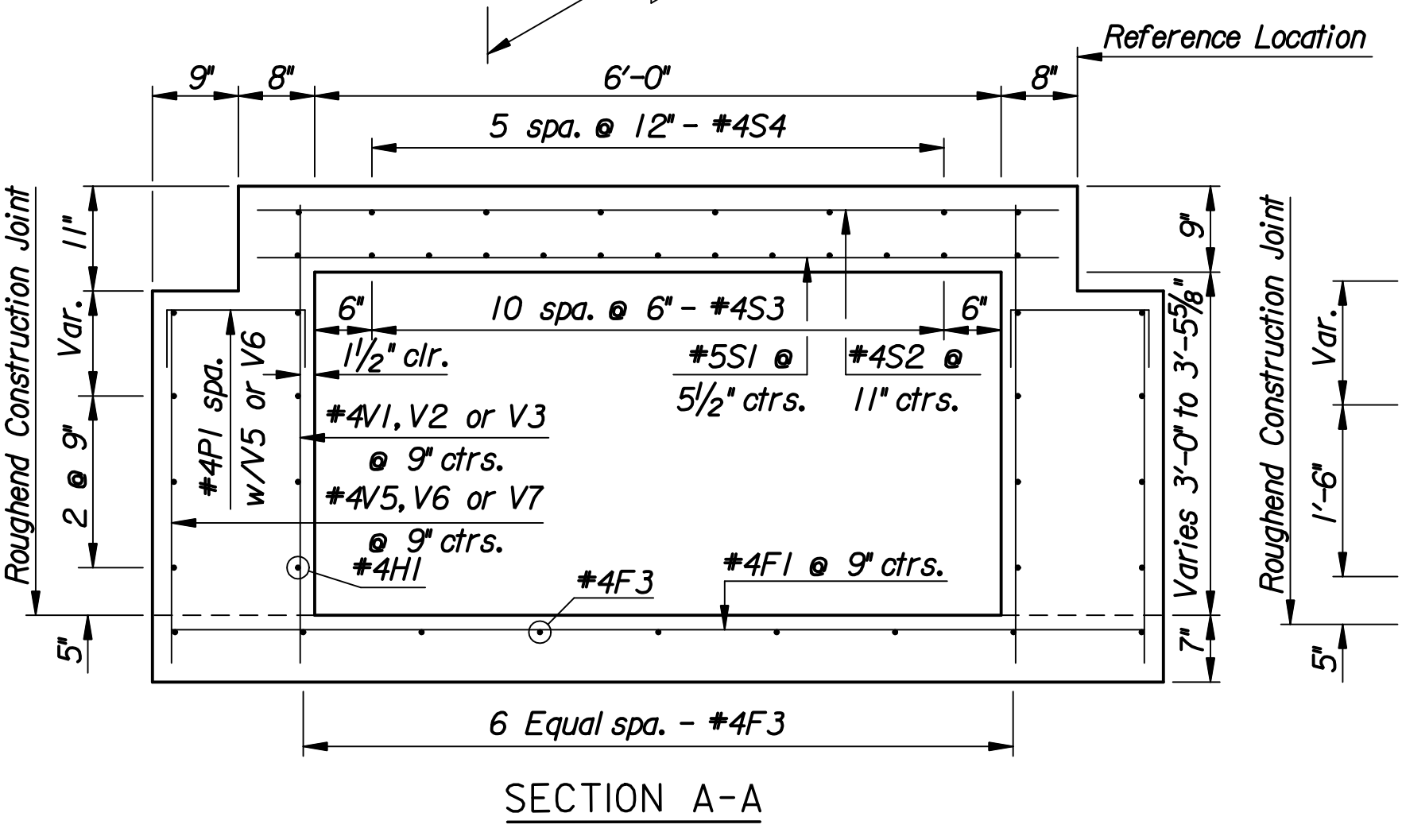
F5,F7,S5,S6,V2,V6



REINFORCING STEEL							
Mark	No.	Size	Length	Mark	No.	Size	Length
B1	13	#5	Var.	H8	2	#4	16'-4"
B2	2	#4	7'-0"	PI	124	#4	2'-7"
F1	62	#4	8'-6"	S1	151	#5	7'-0"
F2	27	#4	7'-0"	S2	51	#4	7'-0"
F3	18	#4	24'-0"	S3	26	#4	26'-0"
F4	7	#4	5'-9"	S4	12	#4	24'-0"
F5	7	#4	Var.	S5	13	#4	Var.
F6	7	#4	16'-4"	S6	7	#4	Var.
F7	4	#4	Var.	S7	4	#5	3'-1"
G1	2	#6	8'-1"	V1	60	#4	4'-5"
H1	32	#4	24'-0"	V2	58	#4	Var.
H2	4	#4	5'-9"	V3	6	#4	3'-10"
H3	2	#4	16'-3"	V4	55	#4	4'-0"
H4	2	#4	18'-3"	V5	60	#4	3'-6"
H5	2	#4	14'-4"	V6	58	#4	Var.
H6	2	#4	11'-4"	V7	6	#4	3'-2"
H7	2	#4	7'-0"	L1	24	#4	2'-8"

SUMMARY OF QUANTITIES		
Item	Quantity	Unit
Concrete(Grade 4.0)(AE)	48.1	C.Y.
Reinforcing Steel (Grade 60)(Epoxy)	5040	Lbs.

Note: Minimum Lap #4 bars 1'-10"



CENTRAL AVENUE

## RCB DETAILS STAGE 2A

JAMES L. ARMOUR, P.E.-CITY ENGINEER  
 CITY OF WICHITA PROJECT NO. 472-84639

**Professional Engineering Consultants, P.A.**  
 303 S. TOPKA • WICHITA, KANSAS 67202  
 316-262-2691 • FAX 316-262-3003

Designed by RAS	Job No. 06655	Sht. 39 of 142
Drawn by DRP	Date Jan. 2008	