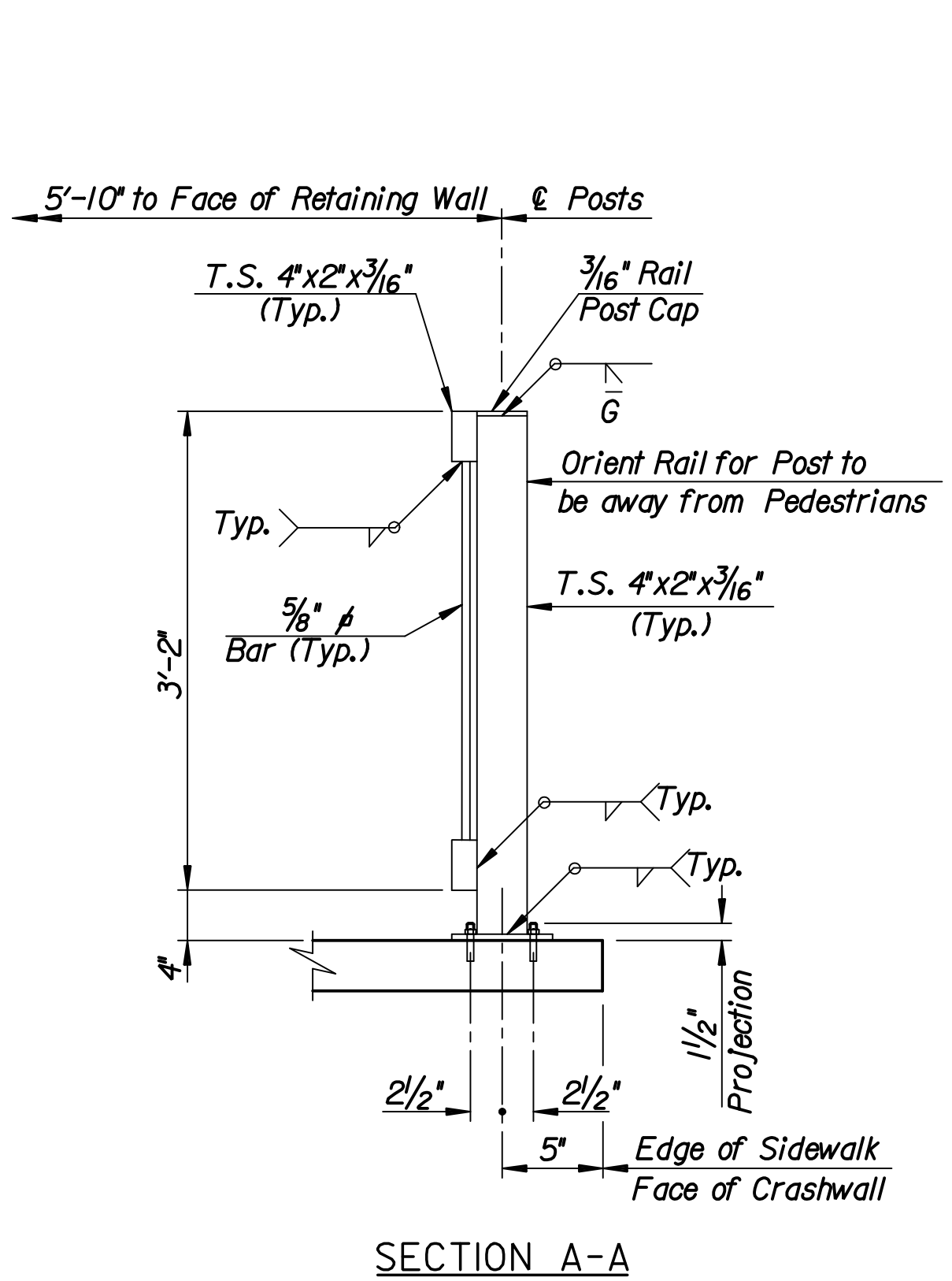
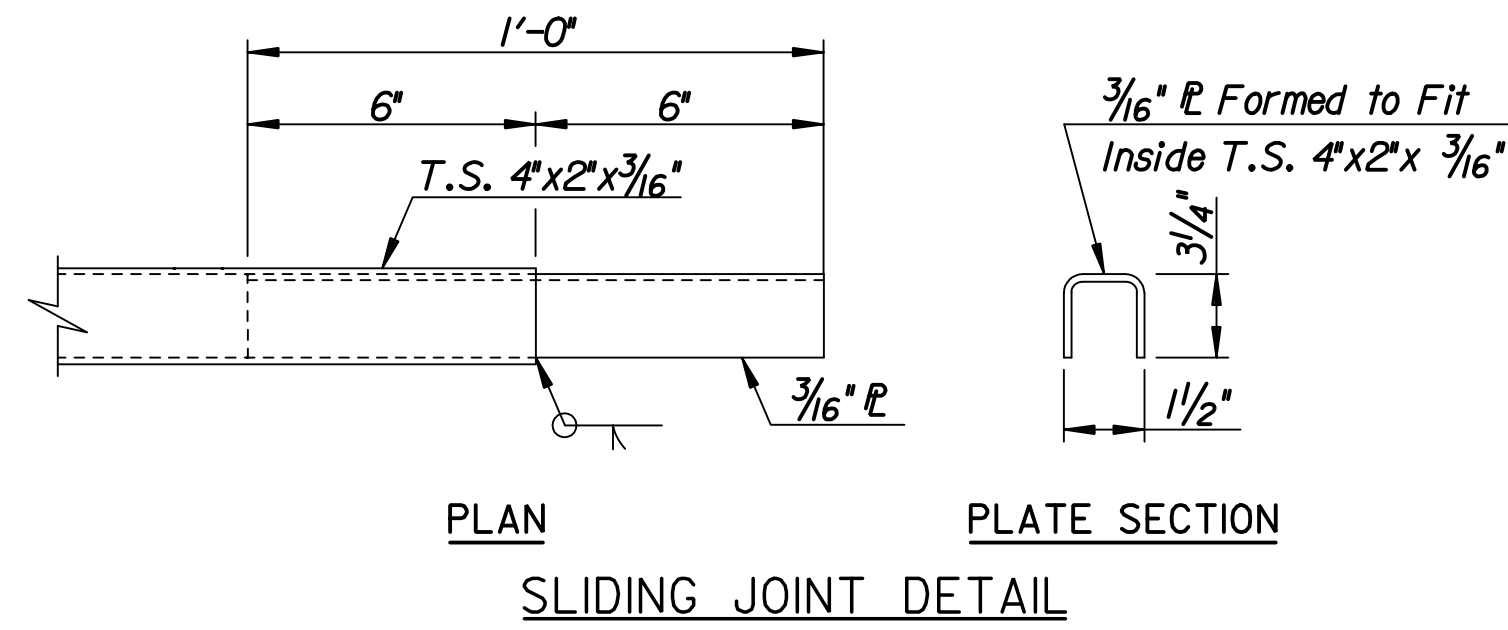


HANDRAIL ELEVATION
 Showing Rt. Pedestrian Rail looking North
 Lt. Rail similar mirrored about & Central Avenue

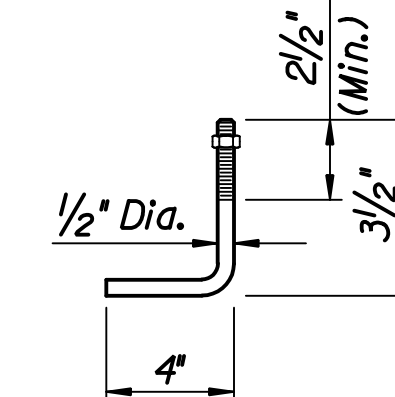
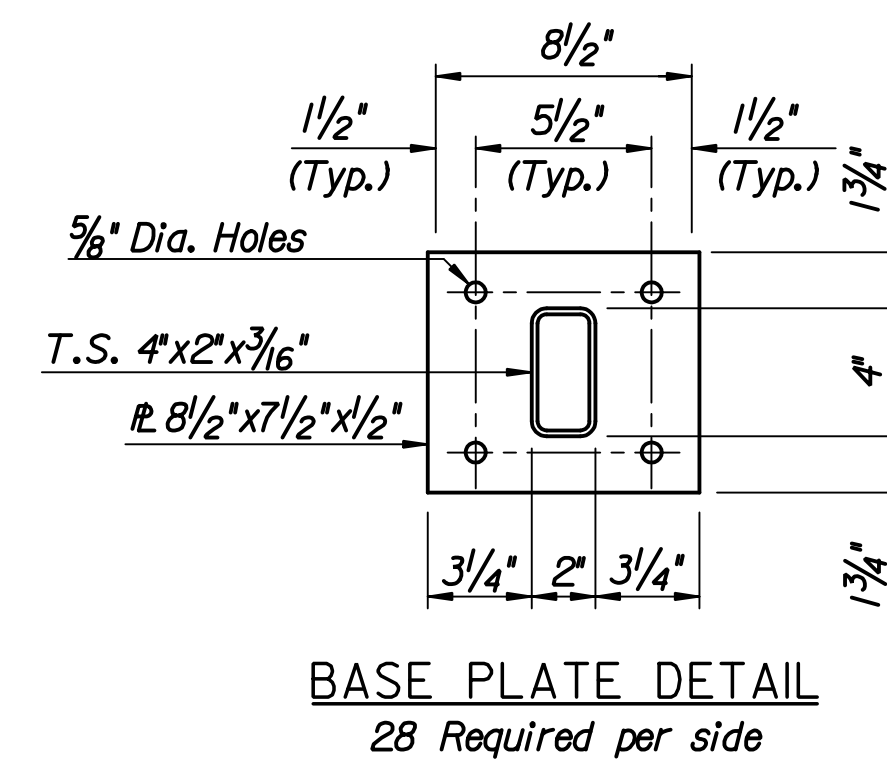


SECTION A-A



Note:
 Sleeve sections to provide 3 minimum to 5 maximum panels between sleeve locations.

Sliding sleeves, when required, on interior panels shall be centered 2'-0" from & posts.



ANCHOR BOLT
 Galvanized (ASTM A153)
 (Orient to provide min. 1 1/2" edge clearance to sidewalk edge or adjacent bolts)
 (112 Required per side) May substitute expandable anchors when approved by the Engineer.

GENERAL NOTES

THE HORIZONTAL MEMBERS OF THE RAIL AND POSTS SHALL BE HOLLOW STRUCTURAL TUBING. ALL STRUCTURAL STEEL TUBING SHALL COMPLY TO A.S.T.M. DESIGNATION A36 OR A500 GR. B RESPECTIVELY.

RAIL SHALL BE FABRICATED IN LENGTHS AS SHOWN.

POSTS AND BARS SHALL BE SET VERTICAL AND SHIMMED IF REQUIRED.

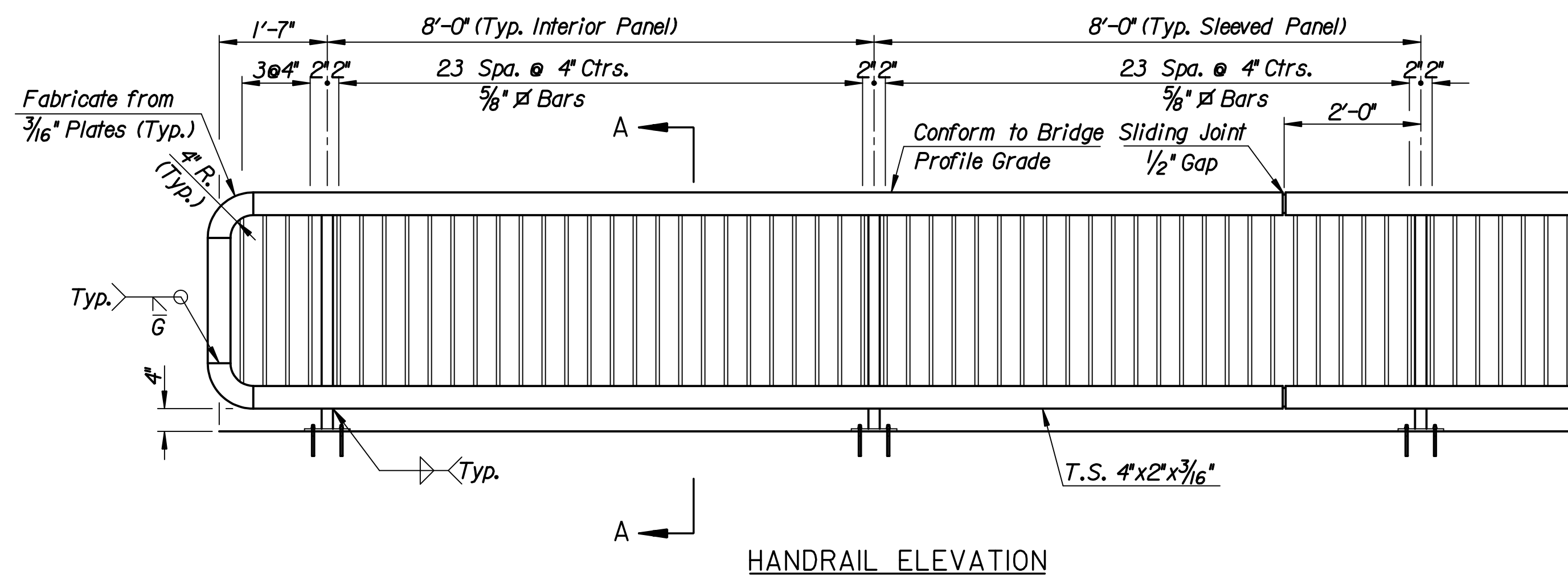
PRIOR TO PAINTING ABRASIVE BLAST TO COMMERCIAL FINISH SSPC-SP6 TO OBTAIN A SURFACE PROFILE OF 1 1/2 MILS. THE SHOP AND FIELD COATS APPLIED TO STRUCTURAL STEEL SHALL CONFORM TO AN INORGANIC ZINC PRIMER WITH A WATER-BORNE ACRYLIC FINISH COAT. (THE FINISH COAT SHALL MATCH CARBOLINE *C900).

MATERIAL AND CONSTRUCTION SHALL CONFORM TO THE STRUCTURAL WELDING CODE A.W.S. DI.1-01.

SHOP DETAILS MUST BE SUBMITTED AND APPROVED BY THE ENGINEER.

SLOPE OF HANDRAIL SHALL MATCH THE SLOPE OF THE SIDEWALK.

ALL WORK ASSOCIATED WITH FURNISHING AND INSTALLING HANDRAIL SHALL BE PAID FOR AS "BRIDGE HANDRAIL(STEEL)(PEDESTRIAN)".



HANDRAIL ELEVATION

BRIDGE HANDRAIL (STEEL)(PEDESTRIAN) 438.33 L.F.

drawn by: rds
 plotted by: RAS 12-11-2007
 I:/2006/06655/bridge/crashwall/06655-000.C-PedestrianRail.dgn

No.	Revision	By	Date
CENTRAL AVENUE			
PEDESTRIAN HANDRAIL			
JAMES L. ARMOUR, P.E. - CITY ENGINEER CITY OF WICHITA PROJECT NO. 472-34639			
Professional Engineering Consultants, P.A. 303 S. TOPEKA • WICHITA, KANSAS 67202 316-262-2691 • FAX 316-262-3003			
Designed by	RAS	Job No.	06655
Drawn by	RAS	Date	Dec. 2007
			Sht. 42 of 142