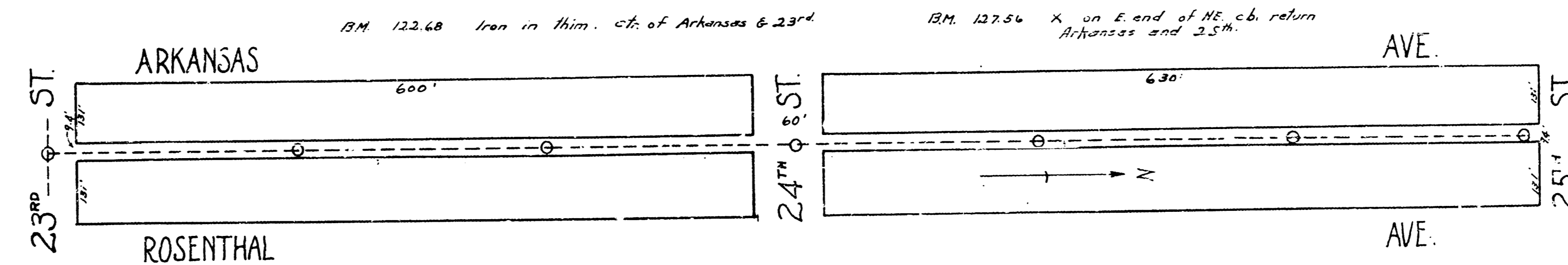
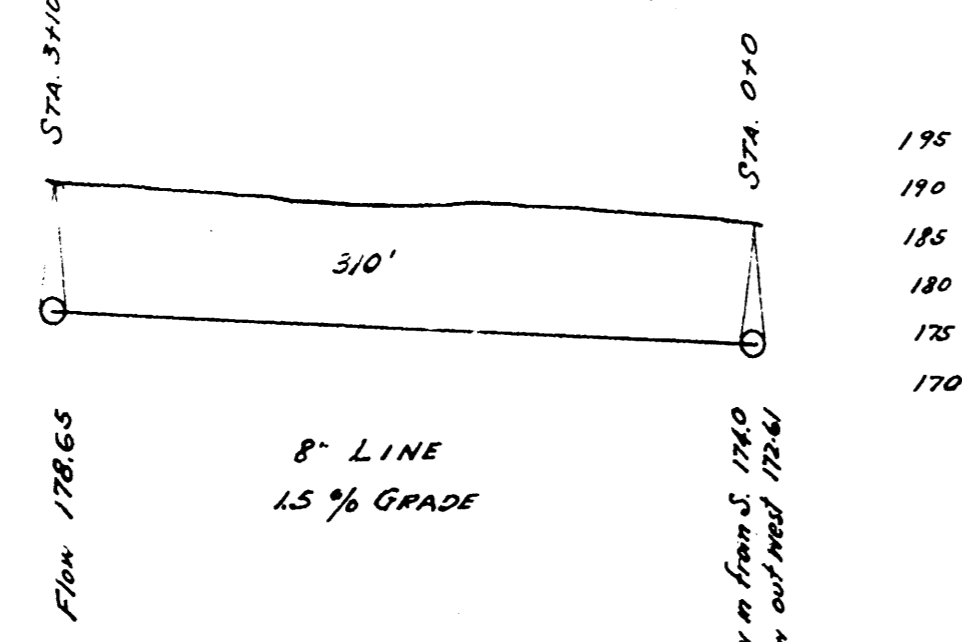


B.M. 19331 T. in Trench, bk. of W. E. NE. cor. Broadview & Elm.

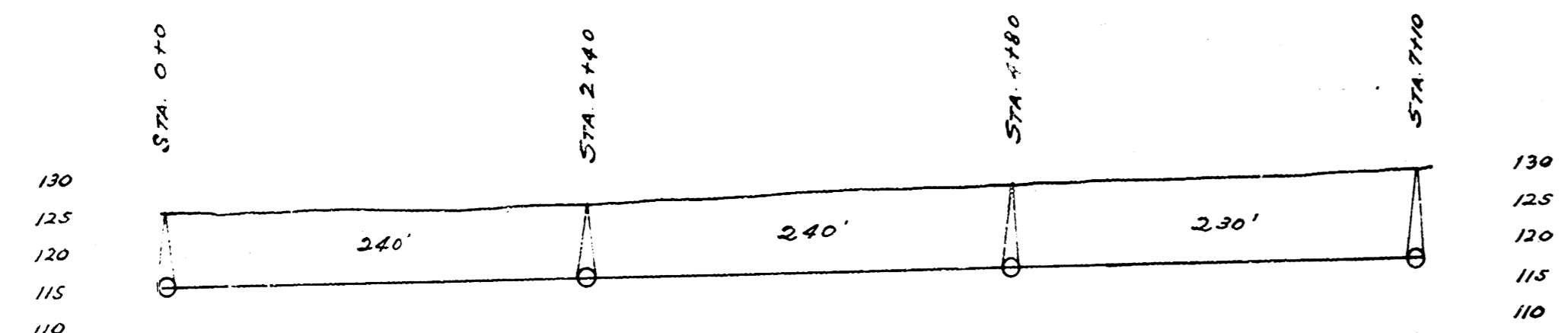
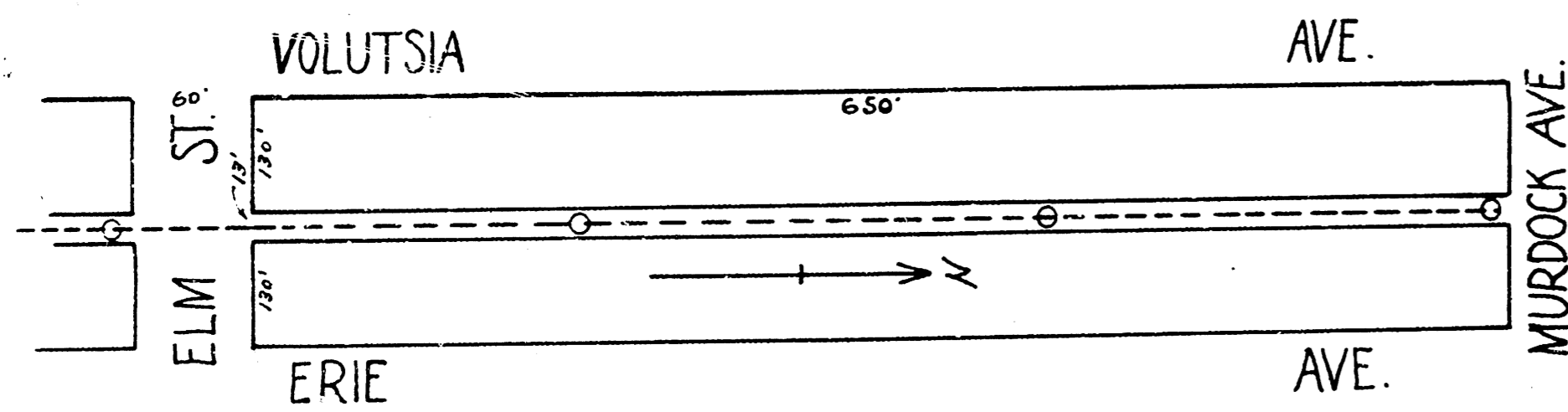
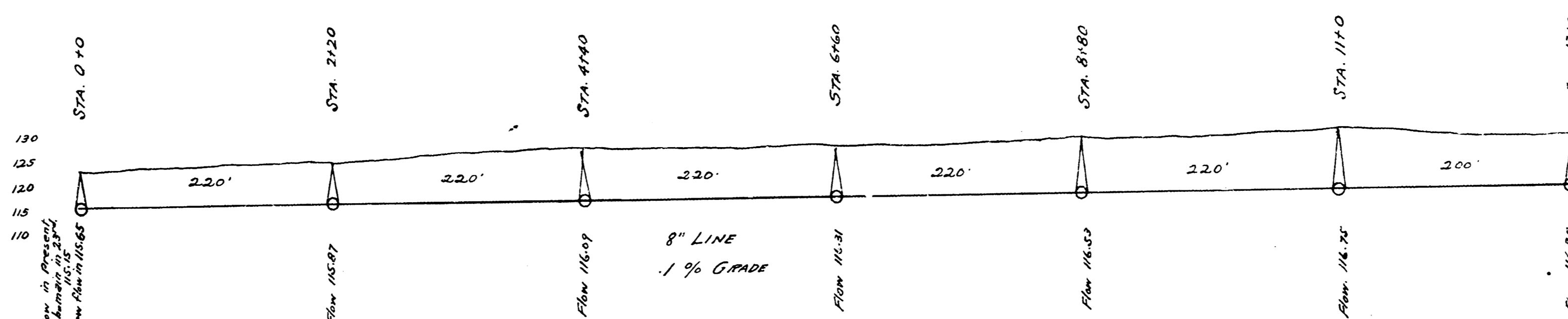
LAT 3 ~ DIST. D. ~ S.S. No. 12



B.M. 123.68 Iron in Shim. ct. of Arkansas & 23rd

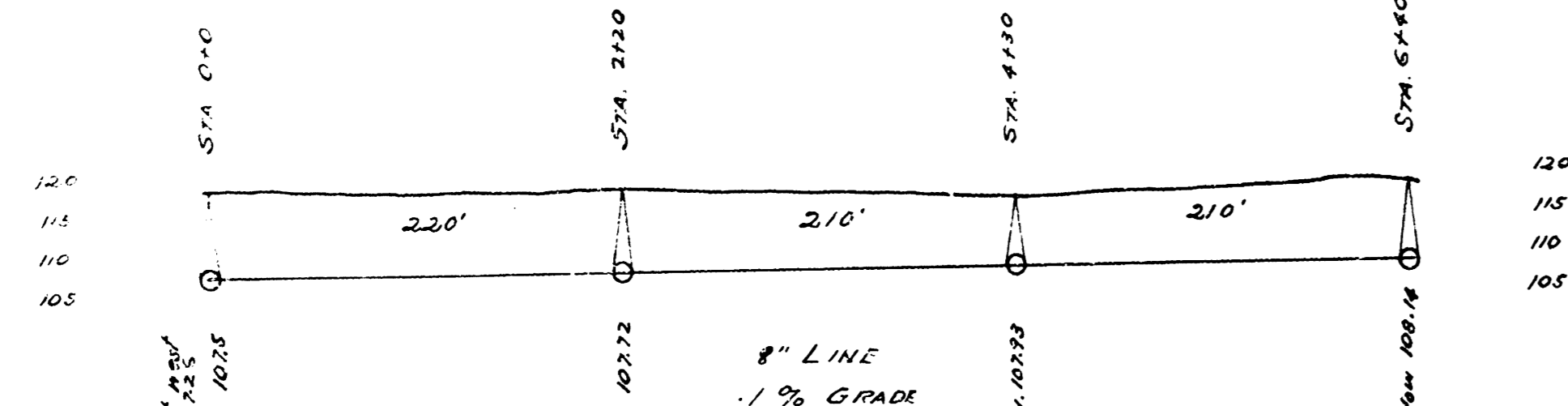
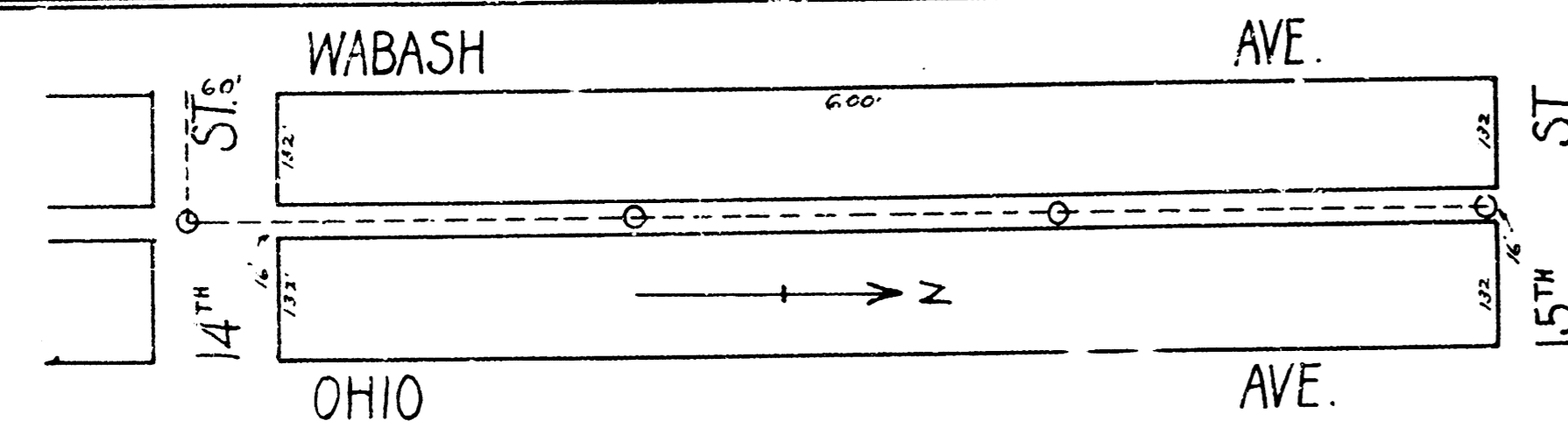
B.M. 127.24 X on E. end of NE. cb. return Arkansas and 25th

LAT. C ~ DIST. T ~ S.S. No. 20



LAT. 4 ~ DIST. D. ~ S.S. No. 12

B.M. 125.95 X on alley near S. end of SW. alley rd. - alley rd. of 2nd



LAT. 11 ~ S.S. No. 20

B.M. 11779 N. in Kneeler. ctr. nk. N. NE. cor. Wabash & 14th