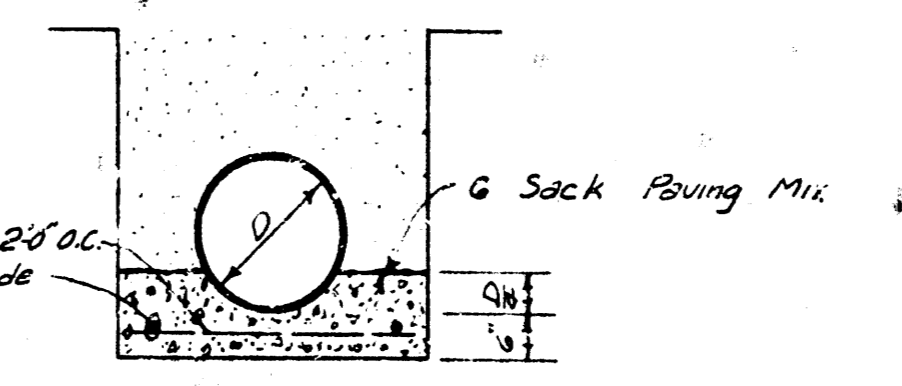


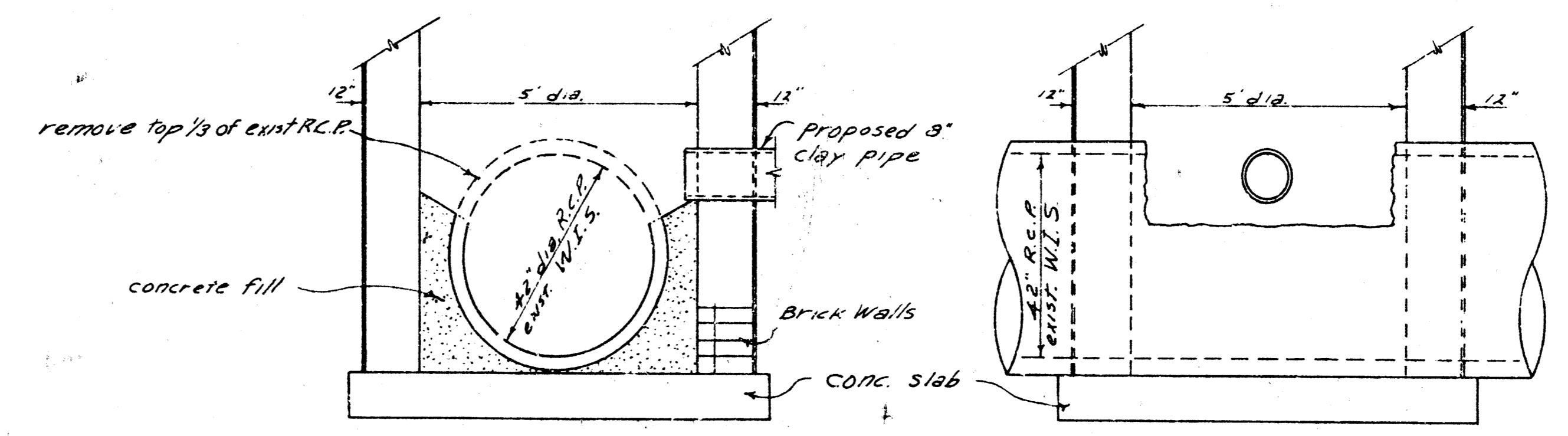
Plan Scale: 1"=40'  
Profile Scale: 1"=40' Horiz.  
1"=5' Vert.

B.M. 13522 S.E. corner of  
conc. step house at  
1801 S. Woodlawn.  
B.M. 12424 6" in globe S. end  
of W. curb Mission Rd.



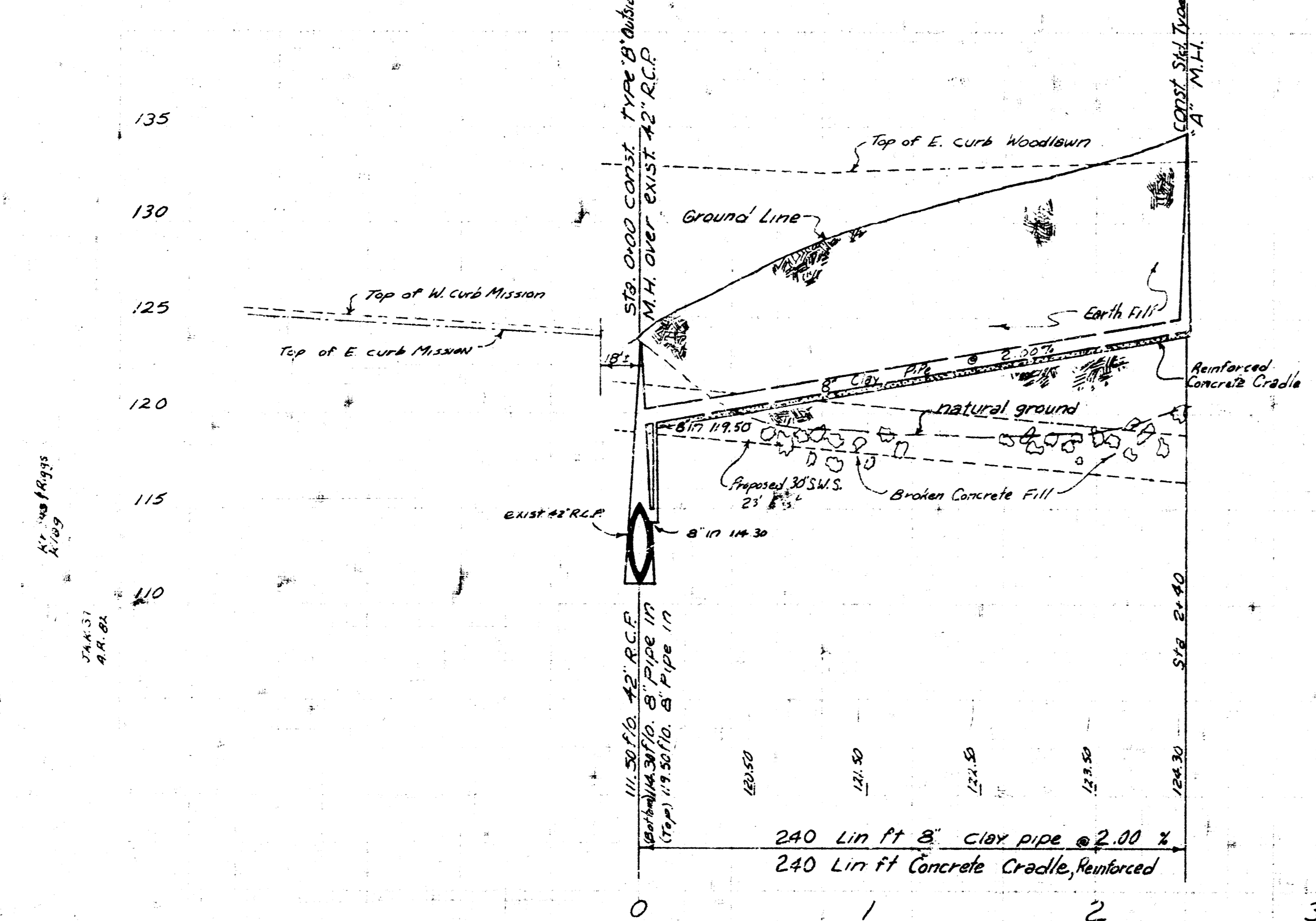
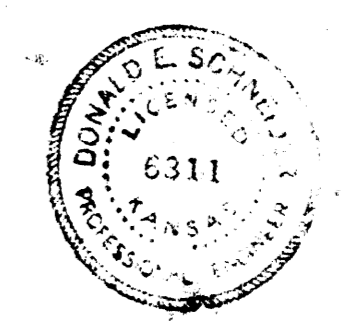
REINFORCED CONC. CRADLE  
No Scale

NOTE: THIS PROJECT SHALL BE COORDINATED WITH THE STOKI SEWER PROJECT TO  
BE COMPLETED ON ADJACENT DRAINAGE EASEMENT.



SECTIONS - STA. 0+00 OUTSIDE DROP M.H. TYPE "B"

NOTE: THE METHOD USED BY THE CONTRACTOR FOR REWORKING THE TOP PORTION OF THE  
42" R.C.P. THROUGH THE PROPOSED MANHOLE SHALL BE AS APPROVED BY THE  
ENGINEER. ALL REMAINING EXPOSED PIPE SURFACES ARE TO BE PROTECTED  
WITH PLASTIC LINING AS APPROVED BY THE ENGINEER. THE OUTSIDE OF THE  
BRICK MANHOLE AT STA. 0+00 SHALL BE GIVEN TWO COATS OF BITUMASTIC  
SUPER SERVICE BLACK AS MANUFACTURED BY KOPPER'S CHEMICALS AND COATINGS,  
OR AN APPROVED EQUAL. THE COATINGS SHALL BE APPLIED IN ACCORDANCE WITH  
MANUFACTURER'S RECOMMENDATIONS. NYO-BOND BENTONITE AS MANUFACTURED BY  
ARCHER-DANIELS-MIDLAND CO., OR AN APPROVED EQUAL, SHALL BE MIXED WITH  
THE BACKFILL MATERIAL FOR THE MANHOLE AT STA. 0+00. APPROXIMATELY 100  
POUNDS OF THE BENTONITE IS TO BE UNIFORMLY MIXED WITH THE BACKFILL  
MATERIAL.



As Built Final Plans 279-Y  
LAT. 50, WAR INDUSTRIES SEWER  
CITY OF WICHITA, KANSAS  
R. W. LINN — CITY ENGINEER  
APRIL 19, 1973 PROJECT NO. DBKL 572029