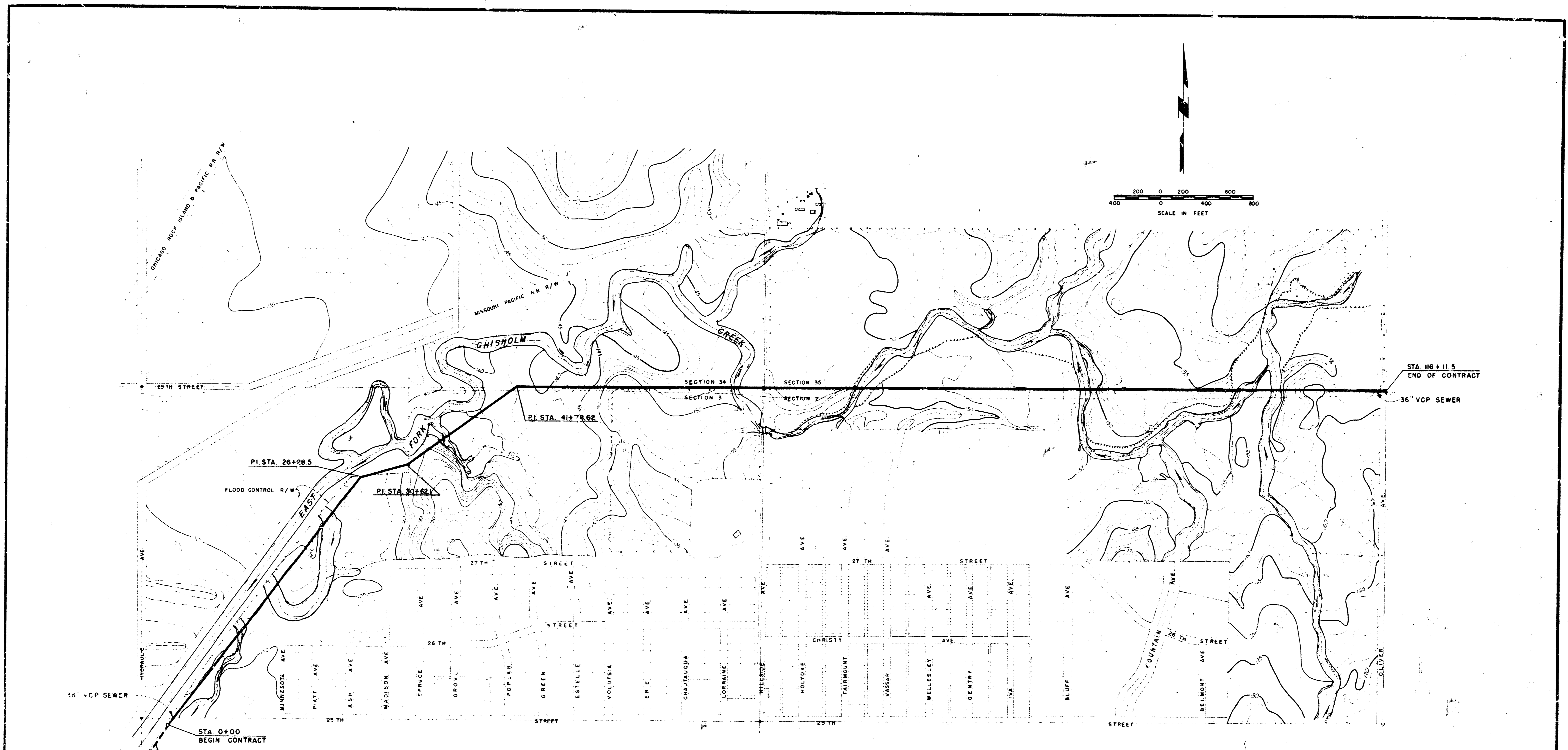


**PLANS FOR  
SEWERAGE IMPROVEMENTS  
WICHITA, KANSAS**

**EXTENSION OF SANITARY SEWER NO. 23  
( SUPPLEMENTAL TO SANITARY SEWER NO. 12 )**

BLACK & VEATCH  
CONSULTING ENGINEERS  
KANSAS CITY, MISSOURI  
1957



—GENERAL NOTES—

ALL ELEVATIONS IN THIS SET OF PLANS REFER TO THE CITY OF WICHITA DATUM.  
 ELEVATIONS OF EXISTING UNDERGROUND UTILITIES AND PETROLEUM LINES ARE APPROXIMATE.

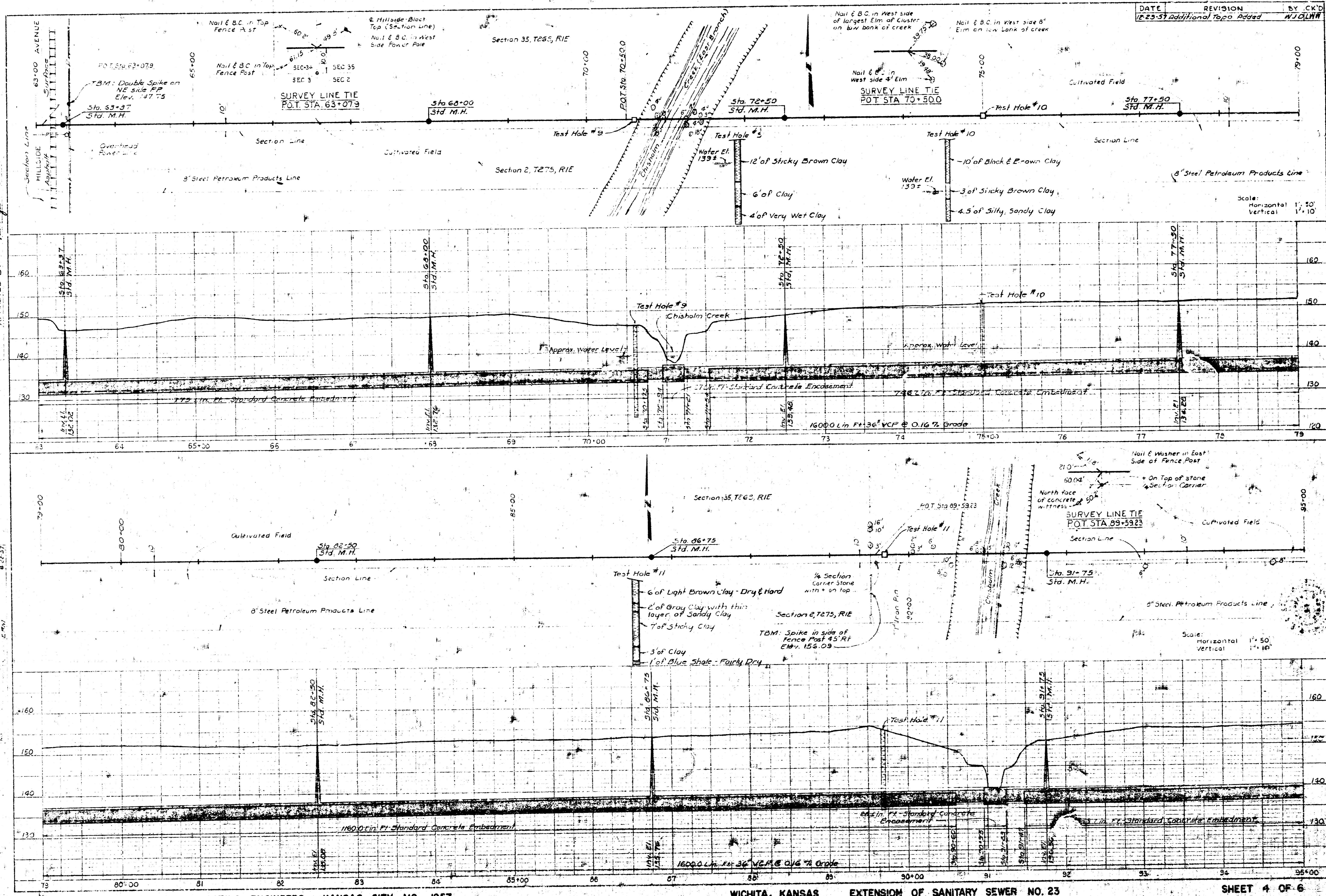
GENERAL LEGEND

- |   |     |                               |     |
|---|-----|-------------------------------|-----|
| EXTENSION OF SEWER NO. 23<br>SUPPLEMENTAL TO SEWER NO. 12 | —   | TELEPHONE LINE                | —T— |
| EXISTING SANITARY SEWER NO. 23                            | --- | UNDERGROUND TELEPHONE CONDUIT | --- |
| NEW MANHOLES  | —○— | FENCES                        | —   |
| EXISTING MANHOLES   | —○— | TEST HOLES                    | —□— |
| SECTION LINE  | —   | POWER, TELEPHONE & GUY POLE   | —   |
| PETROLEUM PRODUCTS LINE                                   | --- | GUY ANCHOR                    | —   |
| POWER LINE  | --- | TREE                          | —   |

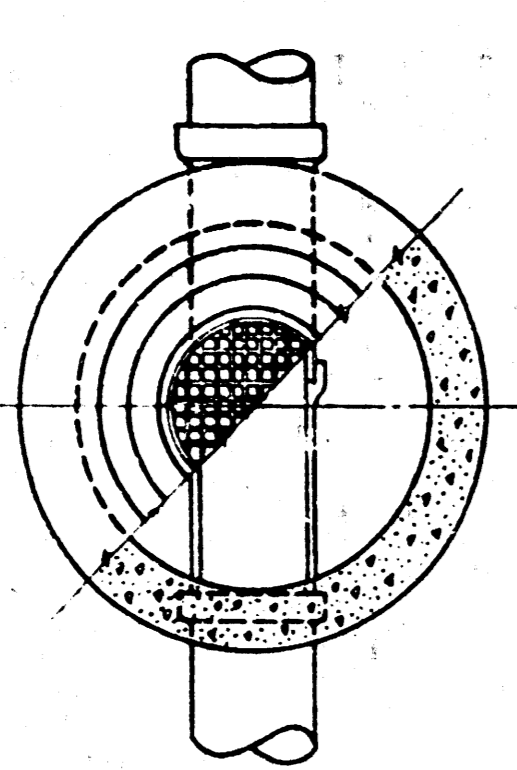
|  |                        |
|--|------------------------|
| <b>WICHITA, KANSAS</b>                                   |                        |
| EXTENSION OF SANITARY SEWER NO. 23                       |                        |
| GENERAL LAYOUT   |                        |
| BLACK & VEATCH<br>CONSULTING ENGINEERS, KANSAS CITY, MO. |                        |
| DESIGNED: <i>W.D.P.</i>                                  | CHECKED: <i>W.D.P.</i> |
| DATE: <i>12-2</i>  | DATE: <i>12-2</i>      |
| 1 SHEET OF 6   |                        |



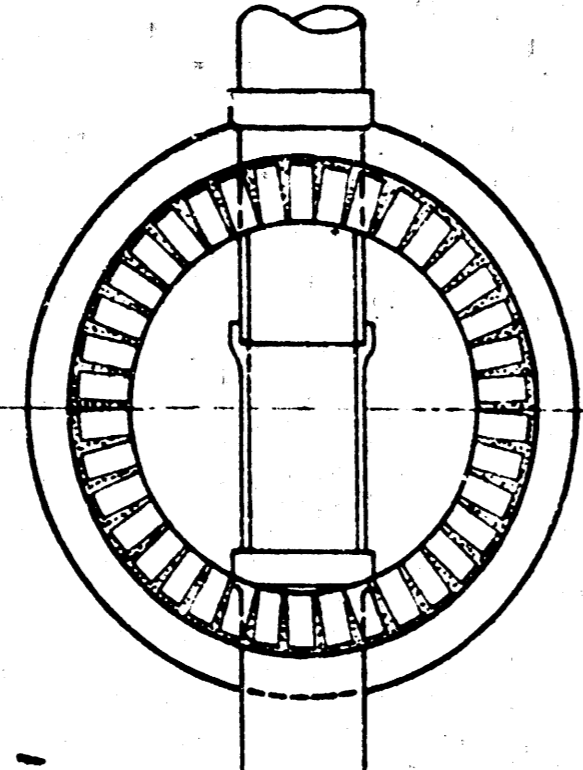




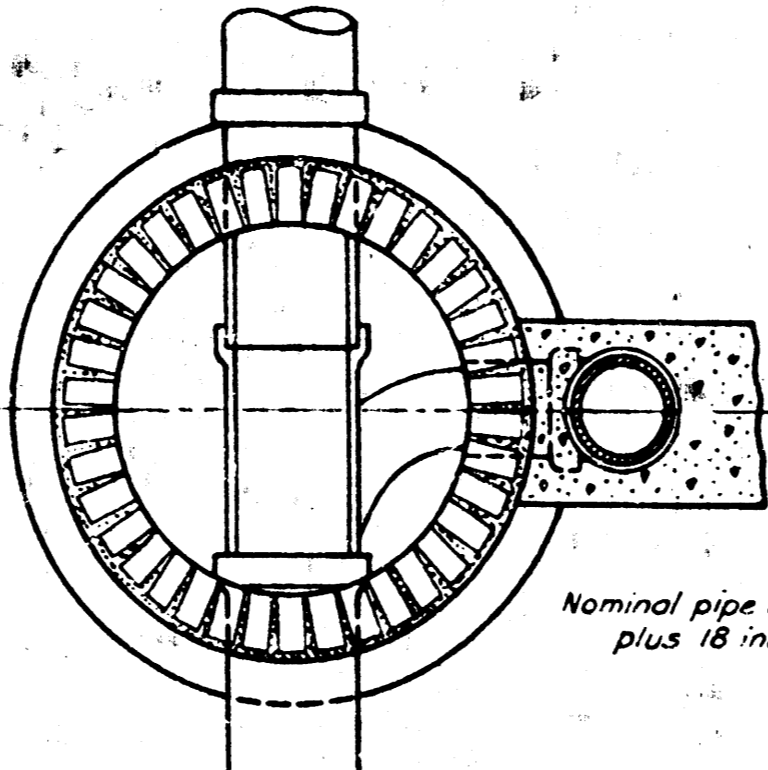




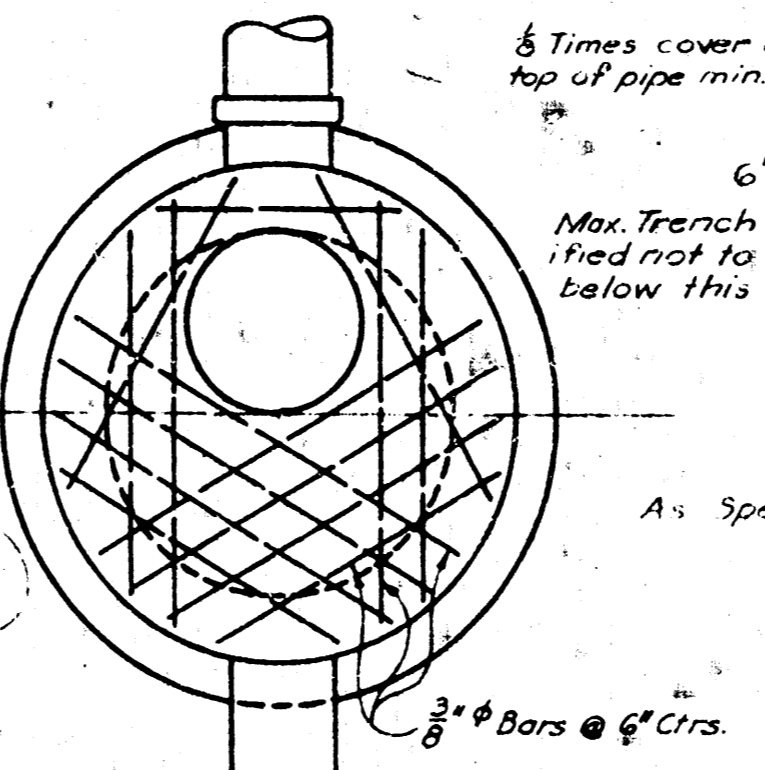
PLAN  
STANDARD CONCRETE MANHOLE



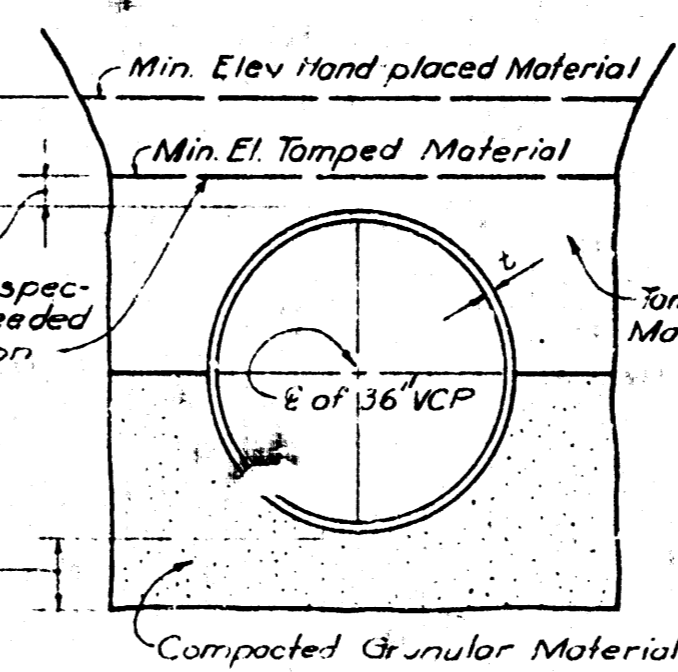
PLAN  
STANDARD BRICK MANHOLE  
STRAIGHT INVERT



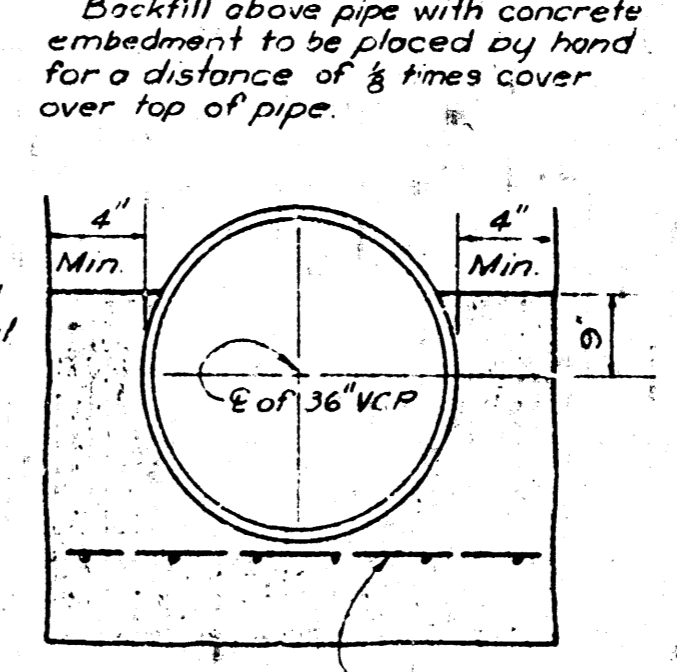
PLAN  
DROP MANHOLE



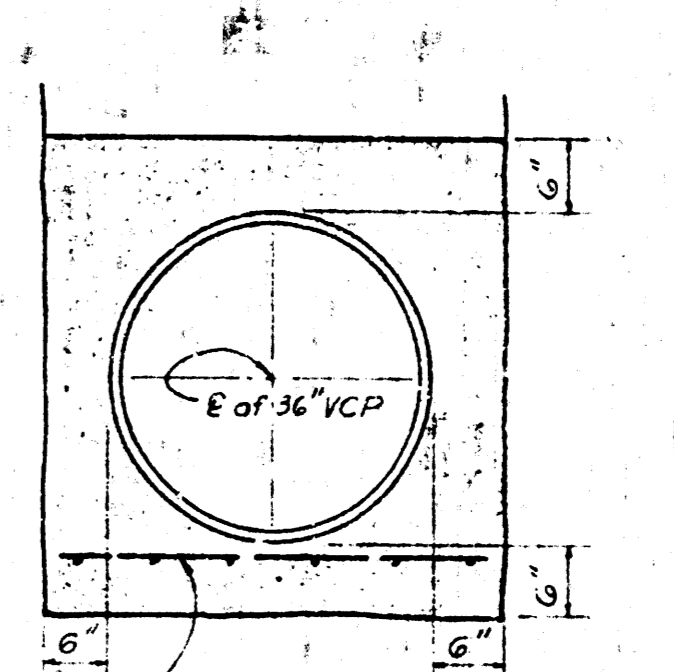
PLAN  
STANDARD SHALLOW MANHOLE



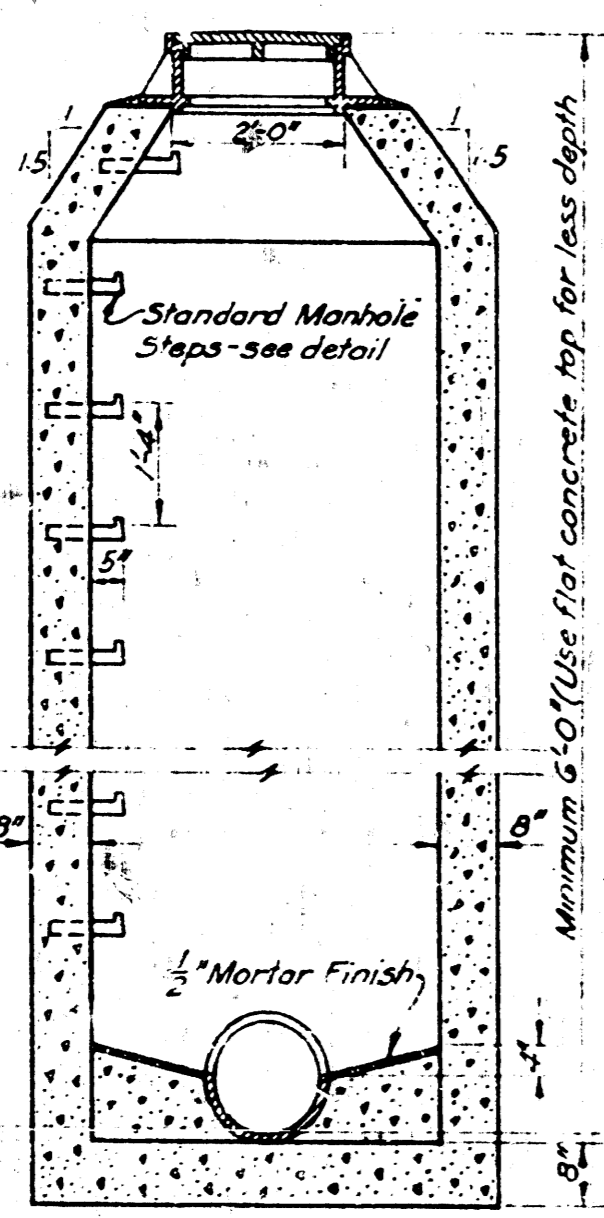
STANDARD EMBEDMENT



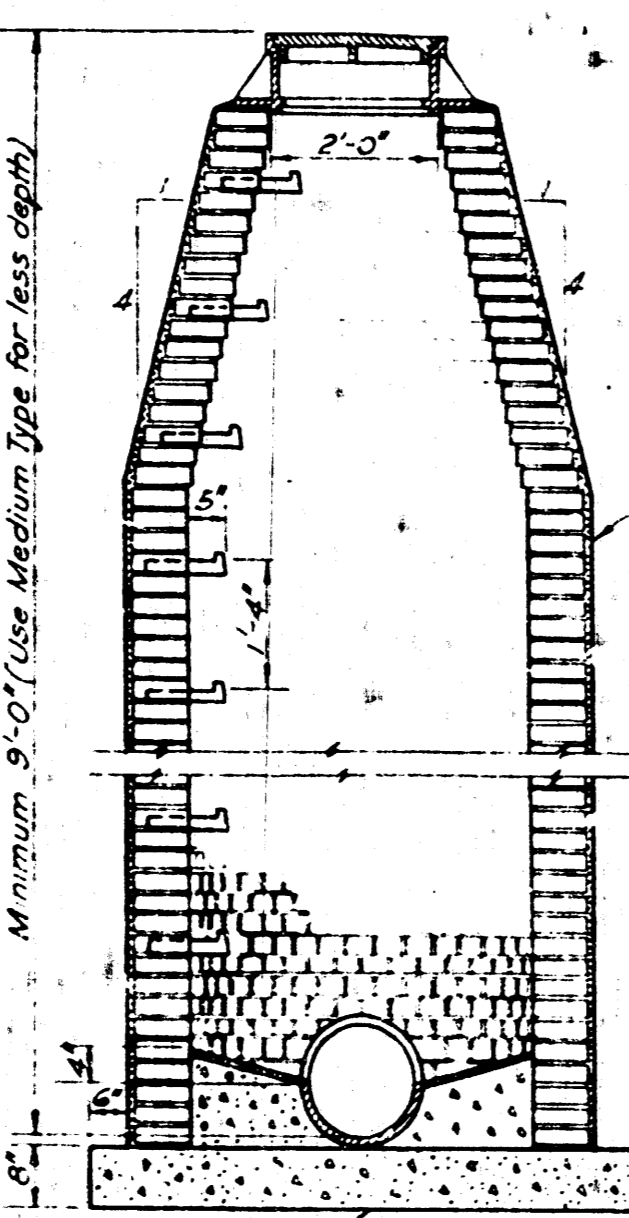
STANDARD CONCRETE EMBEDMENT



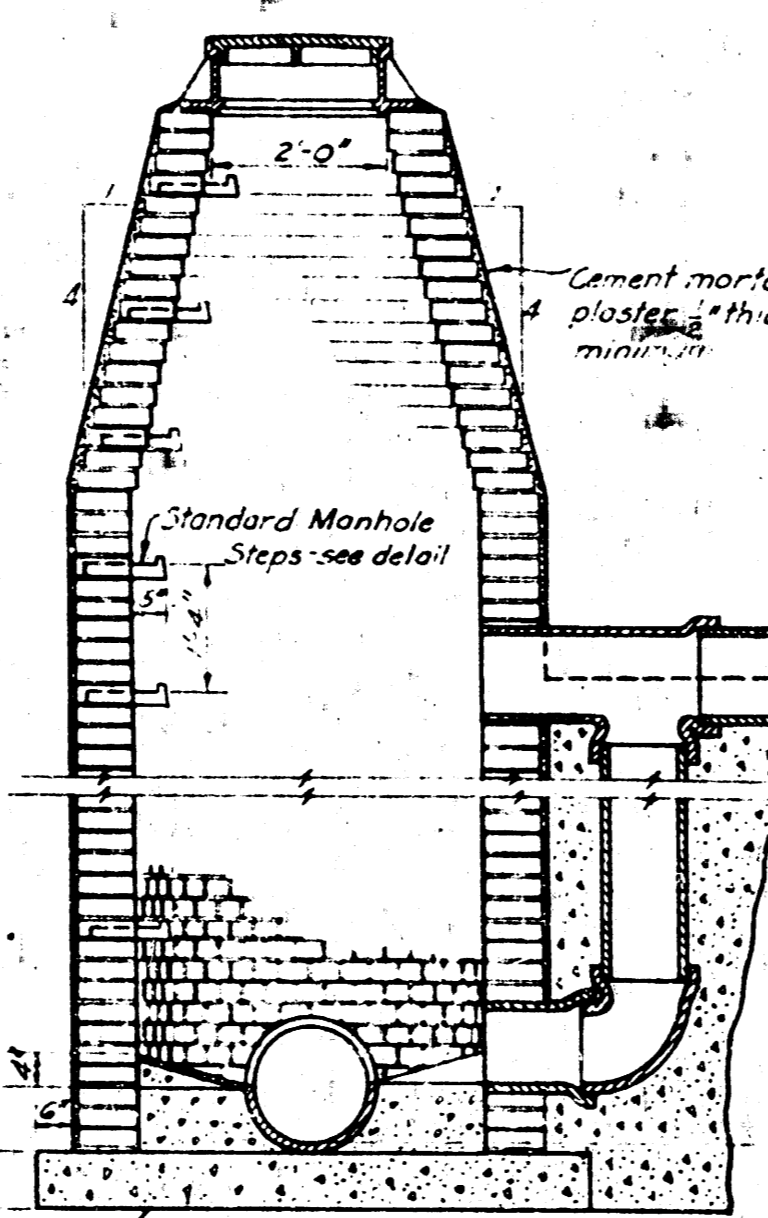
STANDARD CONCRETE ENCASEMENT



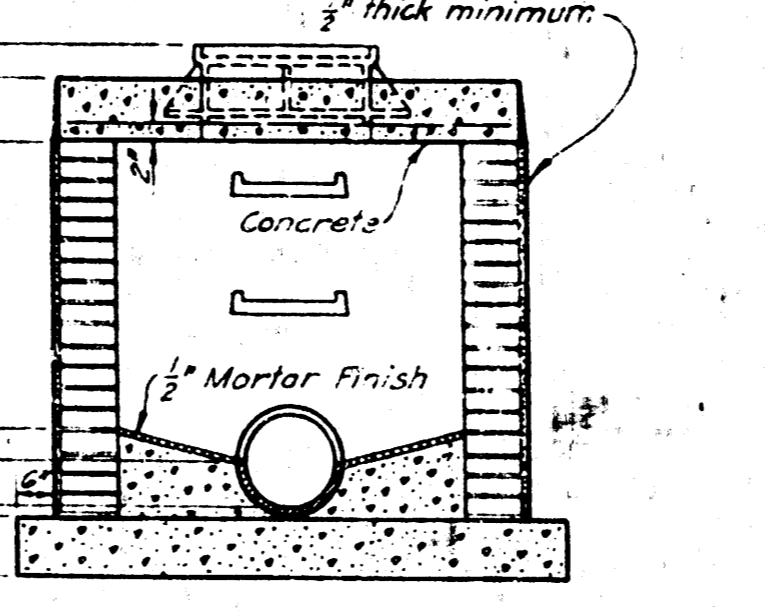
SECTION  
STANDARD CONCRETE MANHOLE



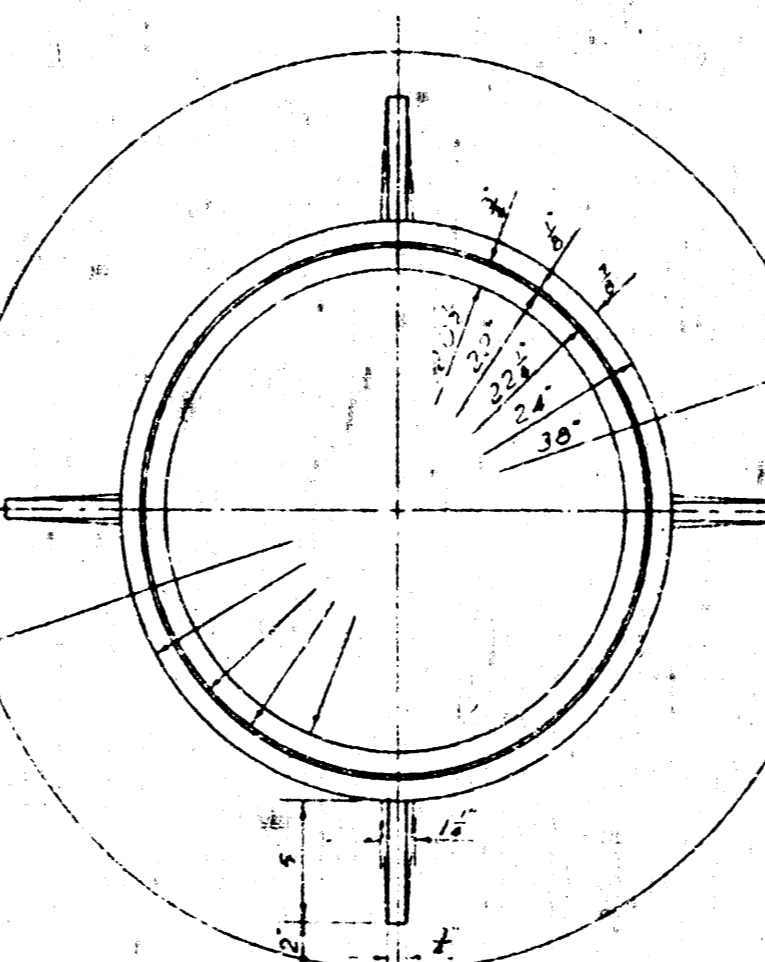
SECTION  
STANDARD BRICK MANHOLE



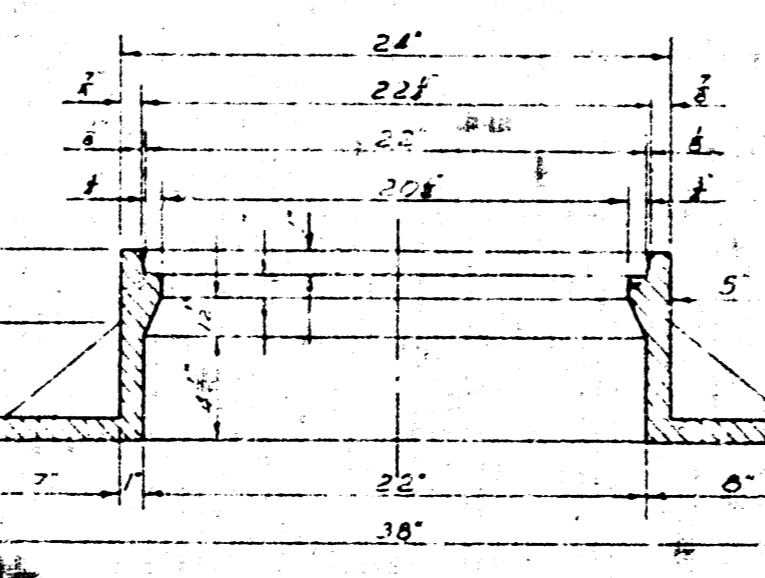
SECTION  
DROP MANHOLE



SECTION  
STANDARD SHALLOW MANHOLE

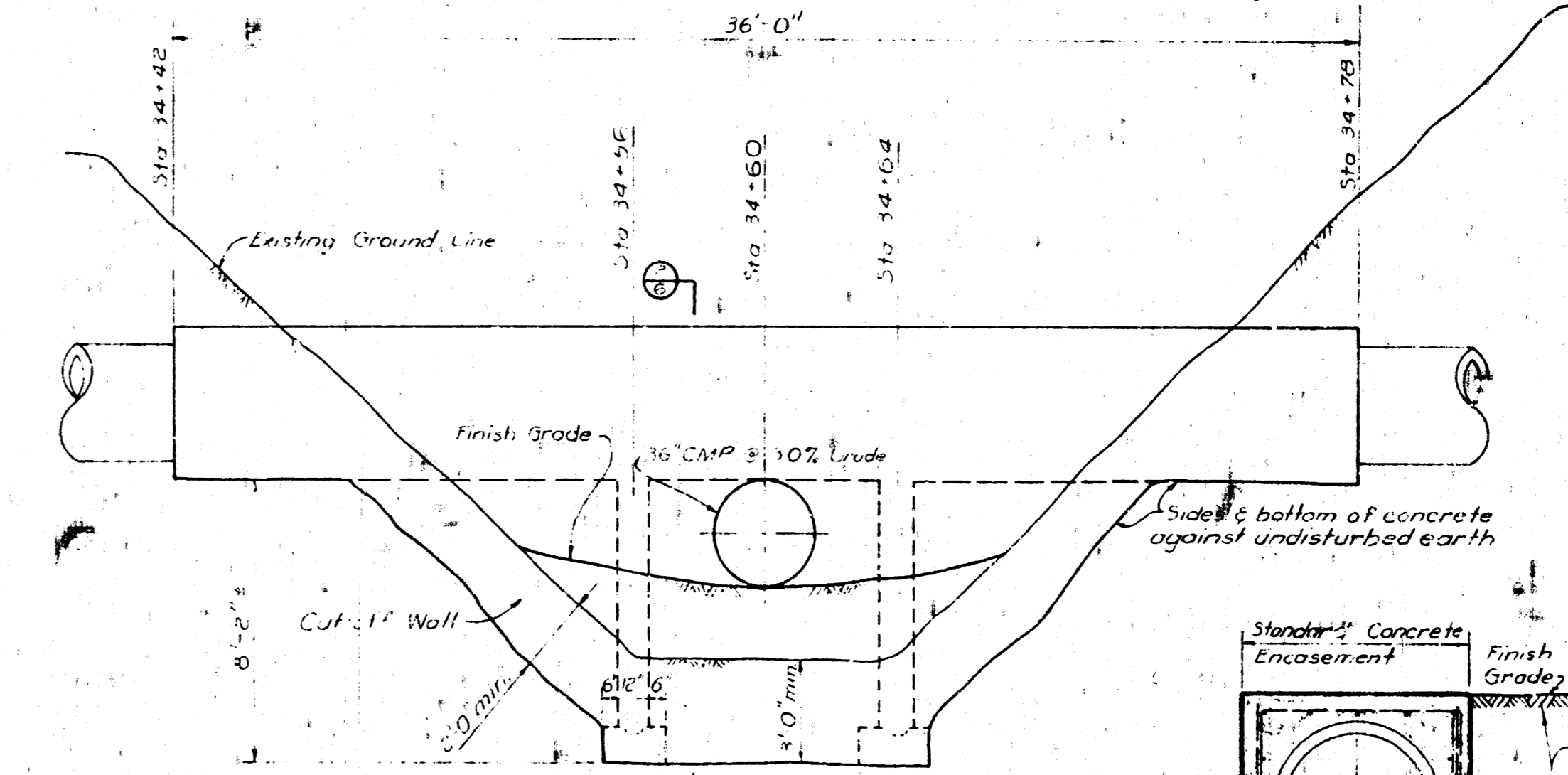


PLAN  
MANHOLE RING

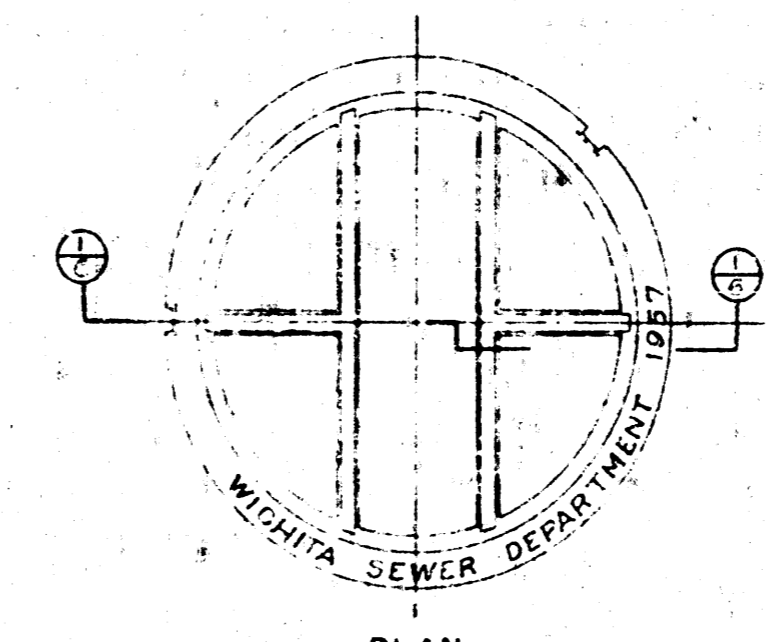


SECTION  
MANHOLE RING

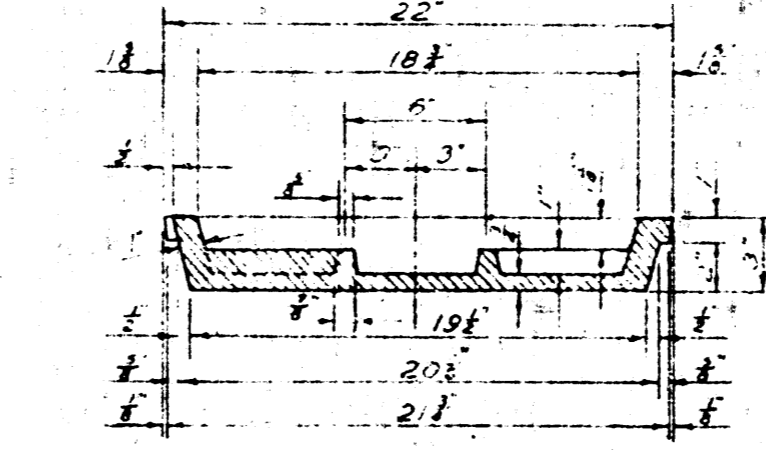
STANDARD MANHOLE RING AND COVER DETAILS



ELEVATION  
CROSSING STRUCTURE - STA. 34+60±

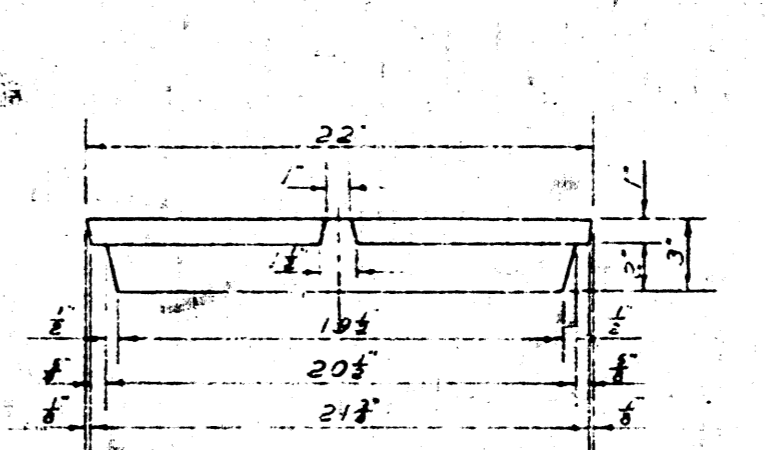


PLAN  
MANHOLE COVER

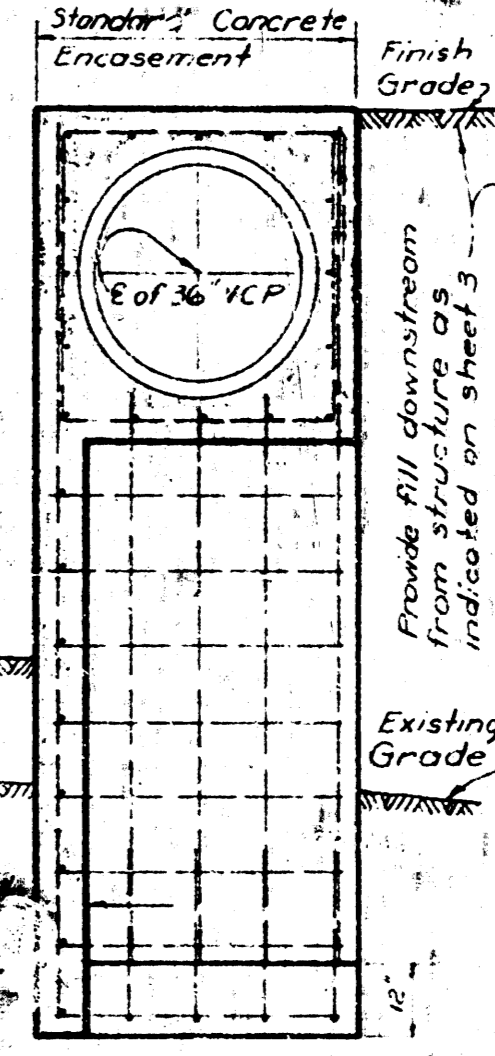


SECTION 1  
MANHOLE COVER

Cover to be filled flush with asphalt

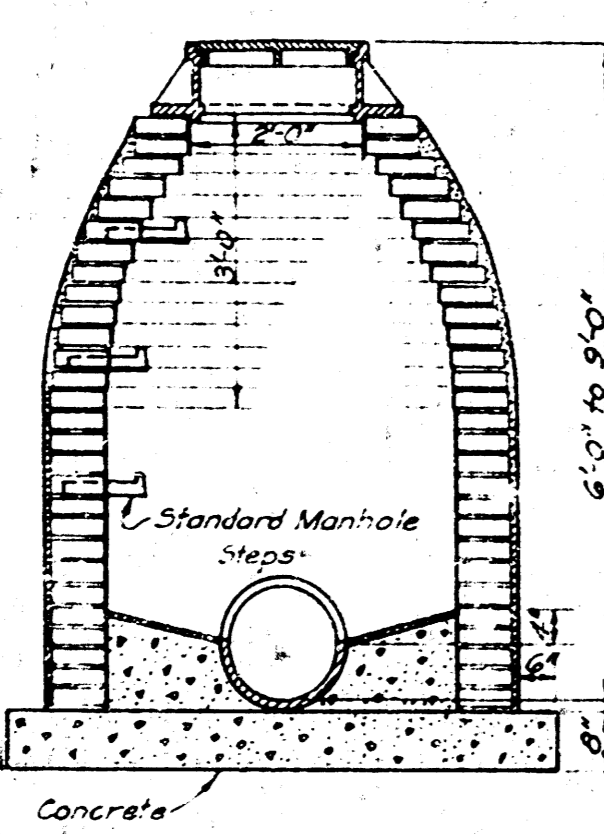


ELEVATION  
MANHOLE COVER

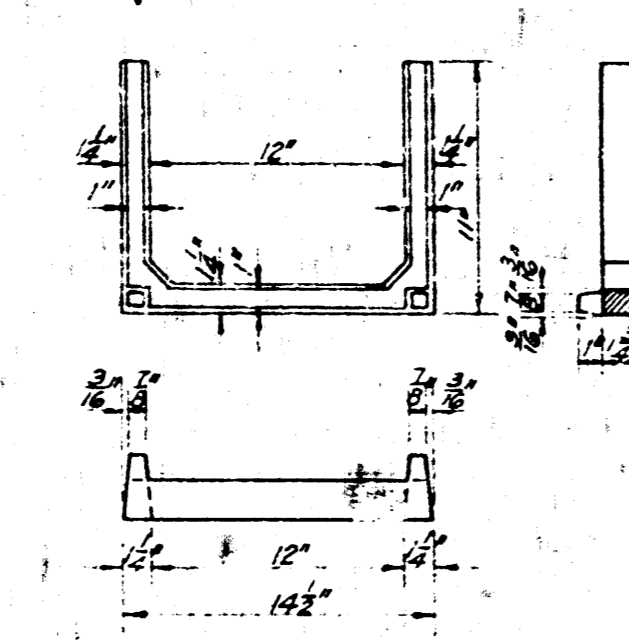


SECTION 2

SCALE: 3/8"=1'-0"



SECTION  
STANDARD BRICK MANHOLE  
FOR MEDIUM DEPTH



DETAIL OF STANDARD CAST IRON STEP

General Notes:  
Any material excavated beneath pipe entering or leaving manholes, shall be replaced with concrete.  
All manhole rings to be set in mortar.  
Inside diameter of manholes to be 5'-0"

|  |                 |
|--|-----------------|
| <b>WICHITA, KANSAS</b>                                   |                 |
| EXTENSION OF SANITARY SEWER NO. 23                       |                 |
| DETAILS OF STANDARD MANHOLES                             |                 |
| BLACK B VEATCH<br>CONSULTING ENGINEERS, KANSAS CITY, MO. |                 |
| APPROVED: <i>[Signature]</i><br>DATE: 5/2/21             | SHEET<br>6 OF 6 |



